

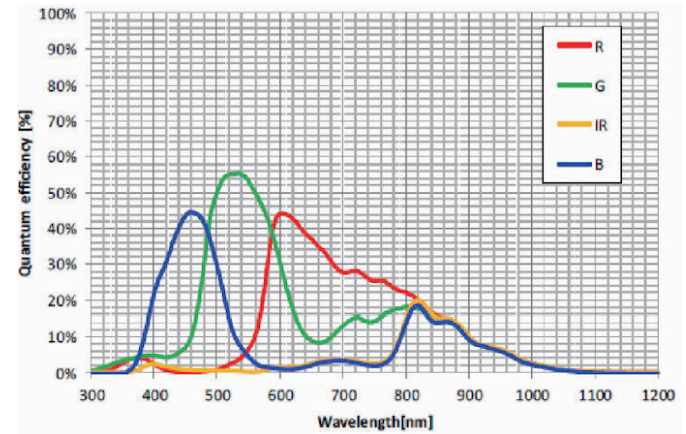
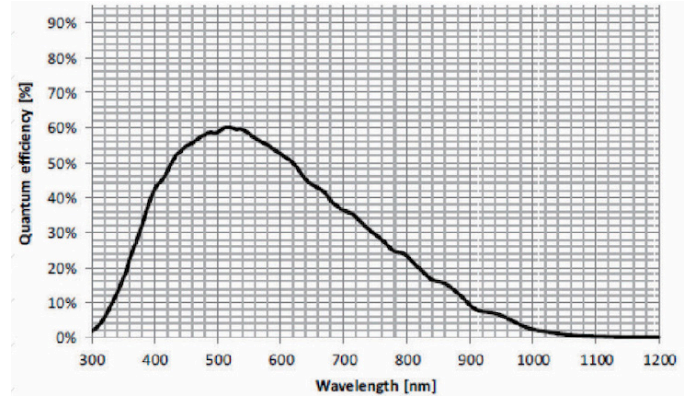
- Standard CXP-6 1Lane interface
- Support custom ROI, lower resolution can increase frame rate
- Can output image data in multiple formats: RAW8 / RAW12
- Provide user data area, save algorithm parameters, configuration, etc.
- A single cable can control, trigger, transmit data and supply power
- High resolution, high cost performance, support for horizontal mirroring and vertical mirroring
- Programmable setting of global exposure, gain and exposure time



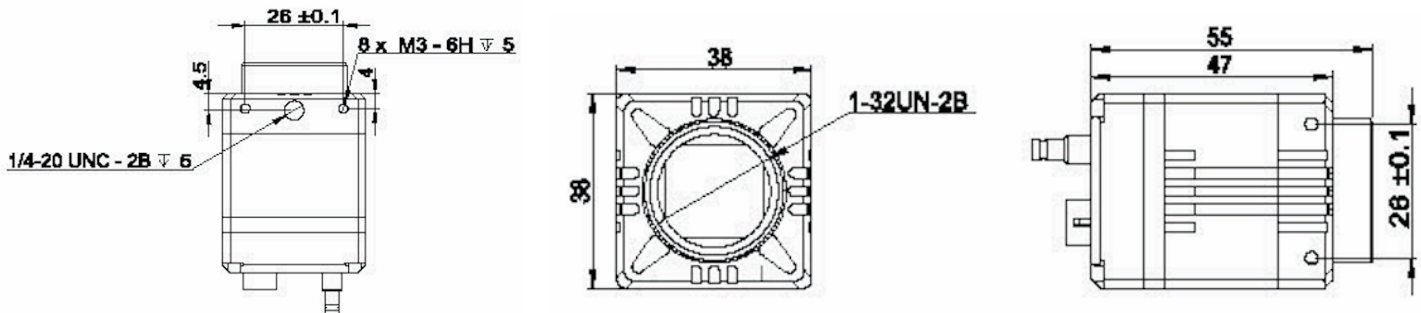
**Applied range** • Defect detection • Positioning • Dimension measurement • Code reading • VR/AR • Logistics industry, etc.

Camera	GAL 5000-105xm	GAL 5000-105xc	GAL 5000-105xcNIR
Resolution [H*V]	2592 x 2056		
Pixel Pize [ $\mu\text{m}$ ]	3.4 $\mu\text{m}$ x 3.4 $\mu\text{m}$		
Sensor Size	2/3"		
Frame rate	105HZ		
Data Bit	8 / 10 / 12 bit		
Mono/Color	Mono	Color	Color+NIR
Dynamic Range	73.2dB Max		
Full-Well	7000 e-		
Lenses Mount	C-Mount		
Transfer Method	CoaxPress-V1.1.1 CXP3, CXP5 or CXP6		
Power Consumption	TBD		
Working Temperature	-20 - 80°C		
Power Supply	PoCXP		
Weight	<200g		
Housing Size [l*w*h]	38 mm×38 mm×55 mm		

### Spectral Response



### Dimensions



No.8, Xiyuan 9th Road West Lake District, Hangzhou 310030 China  
 Tel: 86-571-89712238  
 Web: [www.contrastech.com](http://www.contrastech.com)  
 Email: [market@contrastech.com](mailto:market@contrastech.com)