

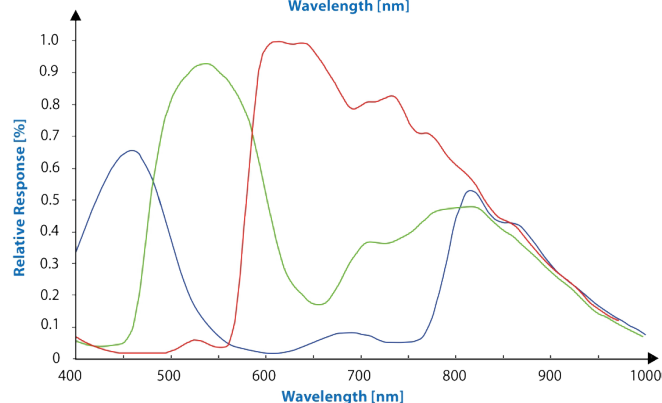
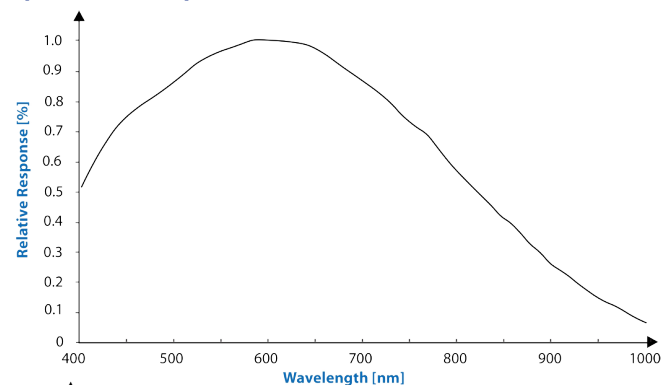
- 12MP @30 fps
- USB 3.0 interface with plug and play capability, USB3.0 power supply
- Compatible with USB3 Vision Protocol, GenICam Standard, and the third-party software based on these protocol and standard
- Support Windows、Linux
- 64 MB local memory for burst transmission and retransmission



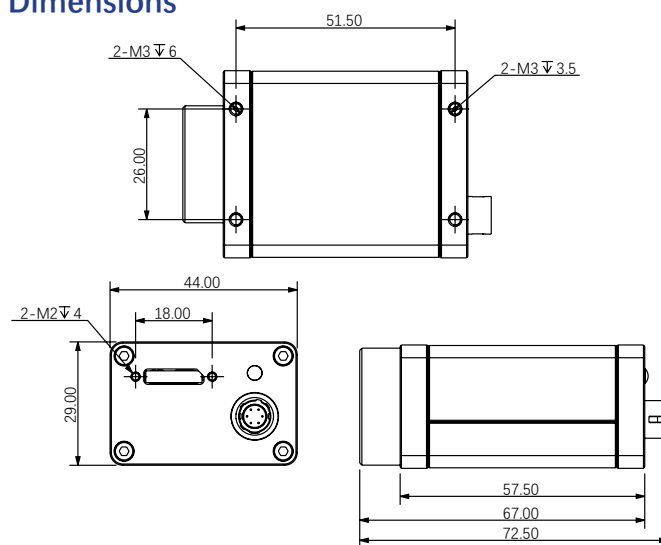
Applied range • Defect Detection • Surface Patch Detection • Visual Positioning • Size Measuring • QR Code Reading • VR/AR • Logistics

| Camera | Mars12MS-30um/uc |
|------------------------------|--|
| Resolution [H*V] | 4096 x 3000 |
| Sensor | Sony IMX253 |
| Sensor Size | 1.1" |
| Sensor Technology | Global, CMOS |
| Pixel Size [μm] | 3.45 x 3.45 |
| Frame Rate [fps] | 30 |
| Data Bit | 10bit |
| Exposure Time | 26 μs ~1s |
| Dynamic Range | 70dB |
| Mono/Color | Mono/Color |
| Image Format | Monochrome: Mono8/10/10Packed Color: BayerRG8/10/10Packed, BayerGB8/10/10Packed |
| Interface | USB 3.0 |
| Synchronization | Via hardware trigger、software trigger or free run mode |
| Programmable Control [ISP] | Image resolution、RGB gain、Exposure time、Contrast ratio、Gamma form、Image rollovers、Raw、LUT、Black level correction |
| Housing Size [l*w*h] | 29.0 x 29.0 x 29.0 mm (60g) |
| Operating Temperature | -30~80 ° C (Storage), -30~50° C (Working) |
| Lenses Mount | C-Mount |
| Digital I/O | Opto-isolated input x 1, opto-isolated output x 1, and bi-directional custom non-isolated I/O x 1 |
| Power Input | DC 6-24V, Supporting USB |
| Power Consumption | 12V@ \approx 4.2W |
| Driver | Mars Series Camera Software Suite or 3rd party USB3 Vision Software |
| Operating System | Windows, Linux |
| Conformity | USB3 Vision, GenICam |

Spectral Response



Dimensions



No.8, Xiyuan 9th Road West Lake District, Hangzhou 310030 China
 Tel: 86-571-89712238 Web: www.contrastech.com
 Email: market@contrastech.com