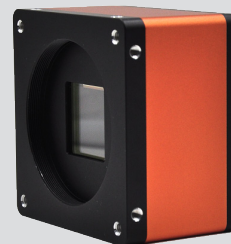


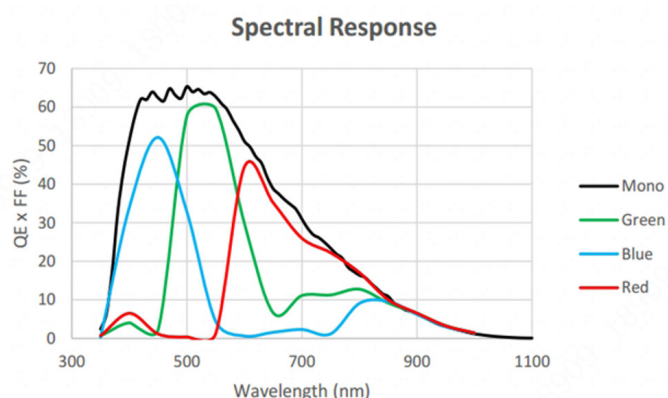
- 65MP @1.7 fps
- Adopts GigE interface and max. transmission distance of 100 meters without relay
- Compatible with GigE Vision Protocol and the third-party software based on the protocol
- Support Windows, Linux operating platform
- Up to 512MB local memory for burst transmission and retransmission



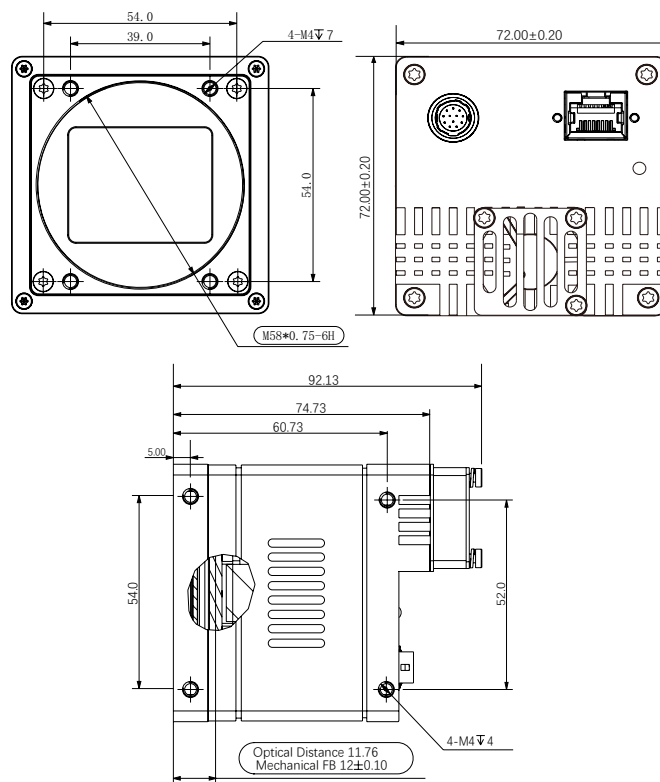
Applied range • Defect Detection • Surface Patch Detection • Visual Positioning • Size Measuring • QR Code Reading • VR/AR • Logistics

Camera	Mars65MG-2gm/gc-M58
Resolution [H*V]	9344 x 7000
Sensor	GMAX3265
Pixel Pize [μm]	3.2 x 3.2
Frame Rate [fps]	1.7
Data Bit	12bit
Exposure Time	16 μs ~15S
Dynamic Range	66dB
Mono/Color	Mono/Color
Image Format	Monochrome:Mono8/10/10Packed/12/12Packed; Color:Mono8/BayerRG8/BayerGB8/BayerRG10/ BayerGB10/BayerRG12/BayerGB12/BayerRG10Packed/ BayerGB10Packed/BayerRG12Packed/ BayerGB12Packed/YUV422 Packed/YUV422_8
Interface	GigE (1000 Mbit/s)
Synchronization	Via hardware trigger、software trigger or free run mode
Programmable Control [ISP]	Image resolution、Exposure time、Gamma form、Image rollovers、Raw、LUT、Black level correction
Housing Size [l*w*h]	72.0 x 72.0 x 92.13 mm (482g)
Operating Temperature	-30~80 ° C (Storage), -30~50° C (Working)
Lenses Mount	M58*0.75(FBL 12)
Digital I/O	12-pin Hirose interface: Opto-isolated input x 3,opto-isolated output x 3; RS232 serial port x 1;
Power Input	DC 12-24V
Power Consumption	24V@8.5W
Driver	Mars series camera software suite or third-party GigE Vision protocol software
Operating System	Windows, Linux
Conformity	GigE Vision, GenICam

Spectral Response



Dimensions



No.8, Xiyuan 9th Road West Lake District, Hangzhou 310030 China
 Tel: 86-571-89712238 Web: www.contrastech.com
 Email: market@contrastech.com