

### Supports 2TDI



### Mars4096G-L28gm

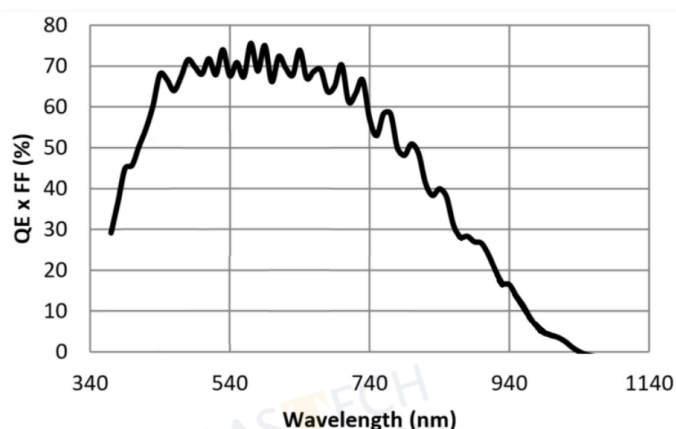
- 4K @28 KHz
- Adopts GigE interface and max. transmission distance of 100 meters without relay
- Compatible with GigE Vision Protocol, GenICam Standard, and the third-party software based on these protocol and standard
- Support Windows、Linux
- 512 MB local memory for burst transmission and retransmission



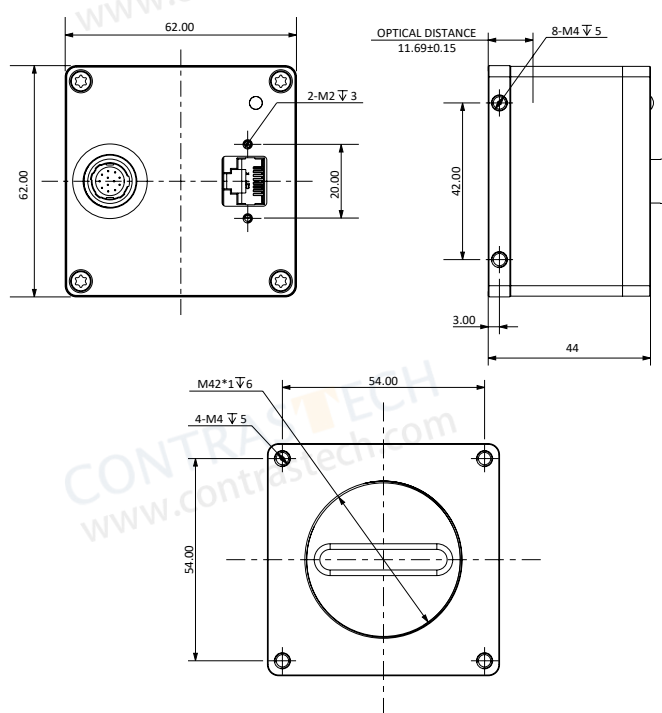
**Applied range** • Printing • Textile • Railway • Logistics • Metallurgy • Food • Pharmaceutical • Material sorting

Camera	Mars4096G-L28gm
Resolution [H*V]	4096 × 2
Sensor Type	CMOS
Pixel Size [μm]	7 × 7
Line Frequency [KHz]	28
Data Bit	12bit
Exposure Time	8us~100ms
Dynamic Range	66dB
Mono/Color	Mono
Image Format	Mono8/10/12/10Packed/12Packed
Interface	GigE
Synchronization	Via hardware trigger、software trigger or free run mode
Programmable Control [ISP]	Image resolution、Exposure time、Gamma form、Image rollovers、Raw、LUT、Black level correction
Housing Size [l*w*h]	62.0 × 62.0 × 44 mm (260g)
Operating Temperature	-30~80 ° C (Storage), -30~50° C (Working)
Lenses Mount	M42*1.0, BFL 12 mm
Digital I/O	Differential/Single-ended inputs x 2, Differential outputs x 1, Opto-coupler single-ended x 1, inputGPIO x 1
Power Input	DC 12-24V
Power Consumption	12V @ ≈ 4.5W
Driver	Mars Series Camera Software Suite (iCentral) or 3rd party GigE Vision Software
Operating System	Windows, Linux
Conformity	GigE Vision, GenICam

### Spectral Response



### Dimensions



No.8, Xiyuan 9th Road West Lake District, Hangzhou 310030 China  
 Tel: 86-571-89712238 Web: www.contras-tech.com  
 Email: market@contrastech.com

