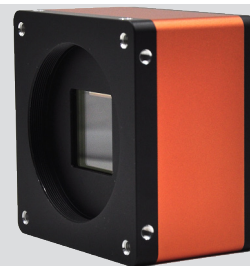


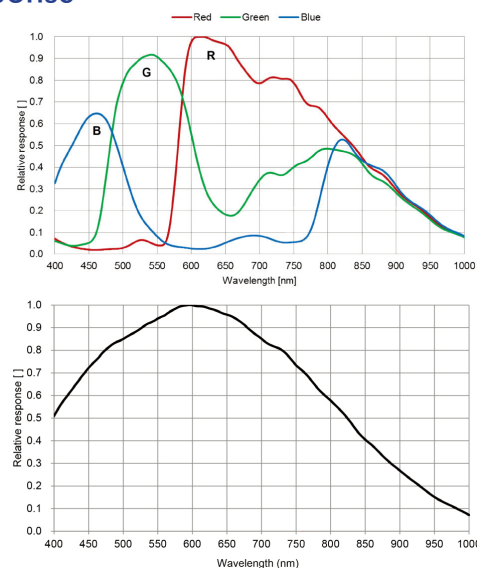
- 31MP @3.6 fps
- Adopts GigE interface and max. transmission distance of 100 meters without relay
- Compatible with GigE Vision Protocol and the third-party software based on the protocol
- Support Windows、Linux operating platform
- Up to 256MB local memory for burst transmission and retransmission



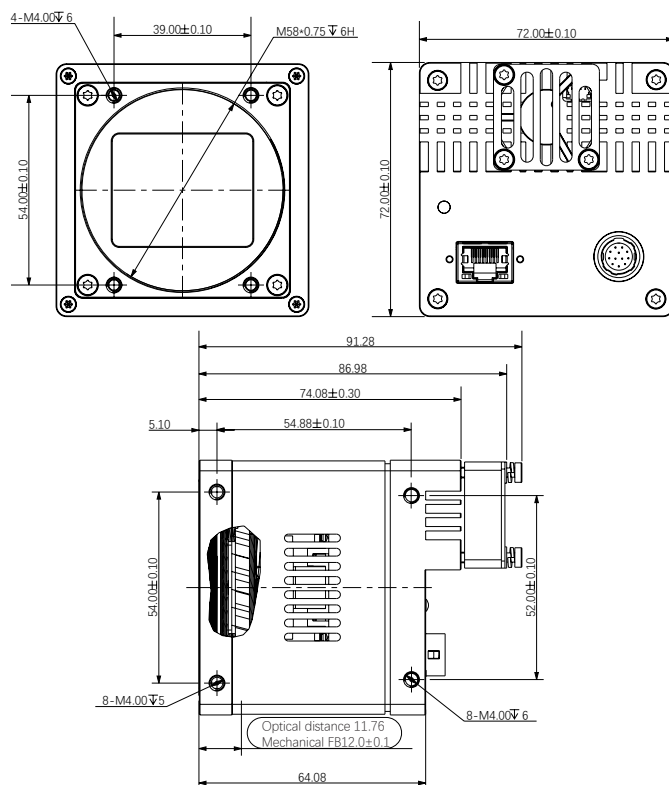
Applied range • Defect Detection • Surface Patch Detection • Visual Positioning • Size Measuring • QR Code Reading • VR/AR • Logistics

Camera	Mars31MS-3gm/gc
Resolution [H*V]	6464 x 4852
Sensor	Sony IMX342
Sensor Size	APS-C (22.3mm*16.6mm)
Sensor Technology	Global, CMOS
Pixel Size [μm]	3.45 x 3.45
Frame Rate [fps]	3.6
Data Bit	12 bit
Exposure Time	3us-15s
Dynamic Range	73dB
Mono/Color	Mono/Color
Image Format	Monochrome: Mono8/10/10Packed/12/12Packed; Color: Mono8/BayerRG8/BayerGB8/ BayerRG10/BayerGB10/BayerRG12/BayerGB12/ BayerRG10Packed/BayerGB10Packed/ BayerRG12Packed/BayerGB12Packed/YUV422 Packed
Interface	GigE
Synchronization	Via hardware trigger、software trigger or free run mode
Programmable Control [ISP]	Image resolution、RGB gain、Exposure time、Contrast、Gamma、Reverse image、Raw、LUT、Black level correction
Housing Size [l*w*h]	72.0 x 72.0 x 64.0 mm
Operating Temperature	-30~80 ° C (Storage), -30~50° C (Working)
Lenses Mount	M58, FBL 12
Digital I/O	Opto-isolated input x 3,opto-isolated output x 3, RS232 x 1
Power Input	DC 24V
Power Consumption	24V@ \approx 7.85W
Driver	Mars series camera software suite or third-party GigE Vision protocol software
Operating System	Windows、Linux
Conformity	GigE Vision, GenICam

Spectral Response



Dimensions



No.8, Xiyuan 9th Road West Lake District, Hangzhou 310030 China
 Tel: 86-571-89712238 Web: www.contrastech.com
 Email: market@contrastech.com