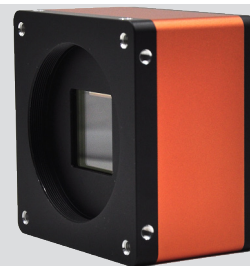


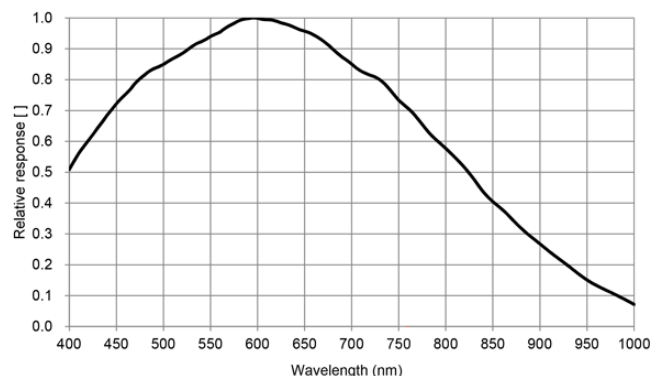
- 12MP @68 fps
- Adopts 10GigE interface and up to 10Gbps effective bandwidth
- Compatible with GigE Vision Protocol and the third-party software based on the protocol
- Support Windows operating platform
- Up to 1GB local memory for burst transmission and retransmission



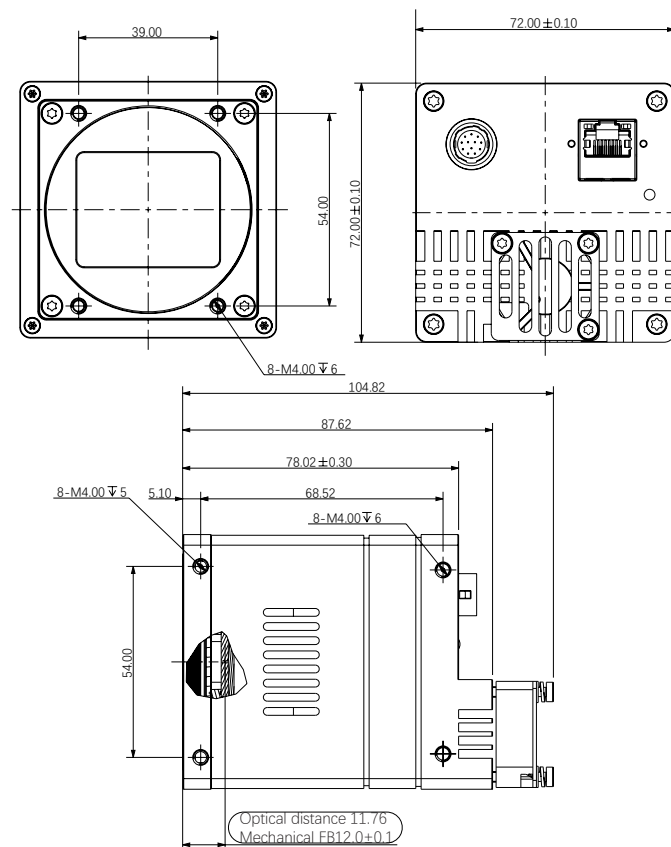
**Applied range** • Defect Detection • Surface Patch Detection • Visual Positioning • Size Measuring • QR Code Reading • VR/AR • Logistics

Camera	Mars12MS-68Tgm
Resolution [H*V]	4096 x 3000
Sensor	Sony IMX253
Sensor Size	1.1"
Sensor Technology	Global, CMOS
Pixel Size [ $\mu\text{m}$ ]	3.45 x 3.45
Frame Rate [fps]	68
Data Bit	10 bit
Exposure Time	1us-15s
Dynamic Range	>71dB
Mono/Color	Mono
Image Format	Mono8/10/10p/12/12p
Interface	10 GigE
Synchronization	Via hardware trigger, software trigger or free run mode
Programmable Control [ISP]	Image resolution, Exposure time, Gamma form, Contrast ratio, Image rollovers, Raw, LUT, Black level correction
Housing Size [l*w*h]	72.0 x 72.0 x 78.0 mm (585g)
Operating Temperature	-30~80 ° C (Storage), -30~50° C (Working)
Lenses Mount	M58, FBL 12
Digital I/O	Opto-isolated input x 3, opto-isolated output x 3, RS232 x 1
Power Input	DC 24V
Power Consumption	24V@ $\approx$ 18.7W
Driver	Mars series camera software suite or third-party GigE Vision protocol software
Operating System	Windows
Conformity	GigE Vision, GenICam

### Spectral Response



### Dimensions



No.8, Xiyuan 9th Road West Lake District, Hangzhou 310030 China  
 Tel: 86-571-89712238 Web: [www.contrastech.com](http://www.contrastech.com)  
 Email: [market@contrastech.com](mailto:market@contrastech.com)