

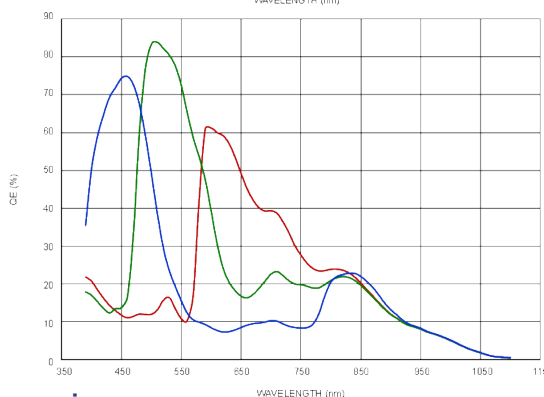
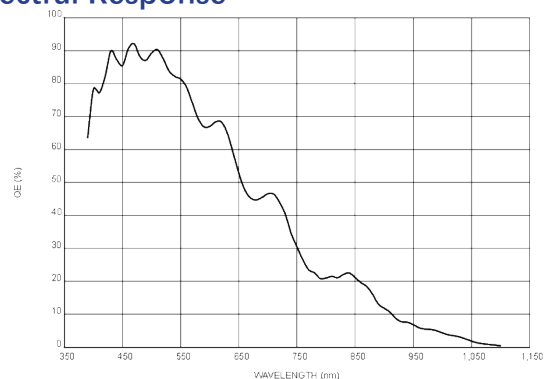
- 1.2MP @54 fps
- Adopts GigE interface and max. transmission distance of 100 meters without relay
- Compatible with GigE Vision Protocol, GenICam Standard, and the third-party software based on these protocol and standard
- Support Windows、Linux
- 64 MB local memory for burst transmission and retransmission



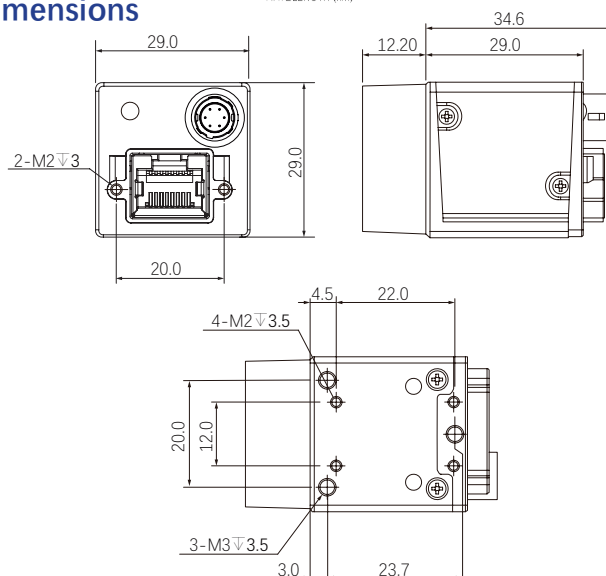
**Applied range** • Defect Detection • Surface Patch Detection • Visual Positioning • Size Measuring • QR Code Reading • VR/AR • Logistics

Camera	Mars1200A-54gm/gc-NP
Resolution [H*V]	1280 x 960
Sensor	ON Semiconductor AR0135
Sensor Size	1/3"
Sensor Technology	Global, CMOS
Pixel Size [ $\mu\text{m}$ ]	3.75 x 3.75
Frame Rate [fps]	54
Data Bit	12bit
Exposure Time	18.7 $\mu\text{s}$ ~1s
Dynamic Range	71dB
Mono/Color	Mono/Color
Image Format	Monochrome: Mono8/10/10Packed/12/12Packed Color: Mono8,BayerRG8/10/10Packed/12/12Packed, BayerGB8/10/10Packed/12/12Packed,RGB8Packed, YUV422Packed
Interface	GigE
Synchronization	Via hardware trigger、software trigger or free run mode
Programmable Control [ISP]	Image resolution、RGB gain、Exposure time、Contrast ratio、Gamma form、Image rollovers、Raw、LUT、Black level correction
Housing Size [l*w*h]	29.0 x 29.0 x 29.0 mm (60g)
Operating Temperature	-30~80 ° C (Storage), -30~50° C (Working)
Lenses Mount	C-Mount
Digital I/O	Opto-isolated input x 1, opto-isolated output x 1, and bi-directional custom non-isolated I/O x 1
Power Input	DC 6-24V
Power Consumption	12V @ $\approx$ 2.8W
Driver	Mars Series Camera Software Suite (iCentral) or 3rd party GigE Vision Software
Operating System	Windows, Linux
Conformity	GigE Vision, GenICam

### Spectral Response



### Dimensions



No.8, Xiyuan 9th Road West Lake District, Hangzhou 310030 China  
Tel: 86-571-89712238 Web: [www.contrastech.com](http://www.contrastech.com)  
Email: [market@contrastech.com](mailto:market@contrastech.com)