

iCt90M/CG90A-Pro



KEY FEATURES

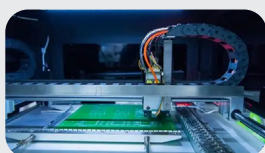
iCt90M/CG90A-Pro delivers 9.0MP resolution imaging with reliable performance and advanced ISP features. Its ultra-low power consumption and minimal heat generation enhance long-term stability, even in harsh or extreme operating environments—ideal for diverse industrial applications

- 1 Gbps GigE, up to 100 m cable
- Supports gamma, LUT, denoise, sharpen, color tune
- GigE Vision V2.0, GenICam compliant, 256MB on-board cache.
- Compact design with four-side mounting support, ideal for tight spaces and flexible system integration.

TYPICAL APPLICATIONS



Defect Detection



Surface Patch Detection



Logistics Sorting



Visual Positioning

► IMAGE SPECIFICATION

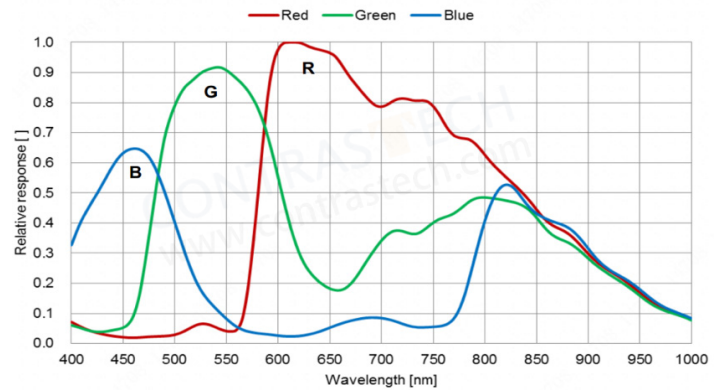
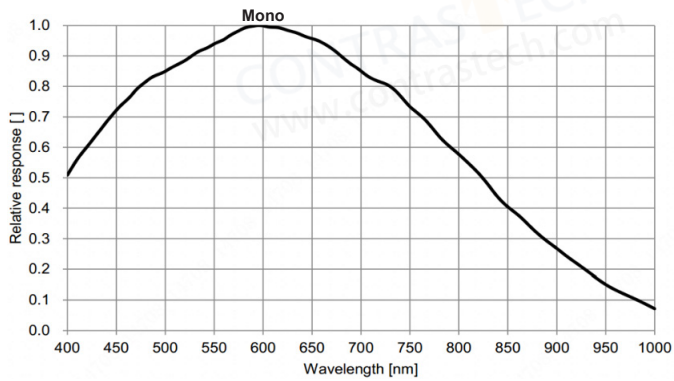
Model	iCt90MG90A-Pro	iCt90CG90A-Pro
Resolution	4096 × 2160	
Frame Rate	13.7 fps (22 fps Lossless Compression)	
Sensor	IMX267 (1"CMOS)	
Pixel Size	3.45 × 3.45 μm	
Mono/ Color	Mono	Color
Bit Depth	12	
Shutter Type	Global	
SNR	39.9 dB	39.8 dB
Dynamic Range	71 dB	70.8 dB
Image Format	Mono8/10/10Packed/ Mono12/Mono12Packed	Mono 8/10/12, Bayer RG 8/10/10Packed/12/1 2Packed,YUV422_8_ UYVY,YUV422_8,RGB8,BGR8
Binning	off, 1×2, 2×1, 2×2, 1×4, 4×1, 2×4, 4×2, 4×4, 3×3, 1×6, 6×1, 6×6	
ROI	Support	
Flip X	Support	
Flip Y	Support	
Gain	1 ~ 32X	
Gamma	LUT Range: 0 to 3.99998	
Exposure Time	1 μs ~ 14 μs(Ultra-fast) 15 μs ~ 10 sec(Standard)	
Image Acquisition Mode	Software Trigger, Hardware Trigger, Free Run	
SPC	Support	
Configuration Channel	Supports saving 3 sets of user-defined configurations	
Buffer	256MB	

► CONNECTIVITY

Interface	GigE, PoE
GPIO	6-pin Hirose connector: 1 opto-isolated input, 1 opto-isolated output, 1 configurable non-isolated input/output
Power Supply	PoE or 9-24V DC (via Hirose)
Power Consumption	2.7W (Typ. @12VDC)
Lens Mount	C-Mount

iCt90M/CG90A-Pro

► SPECTRAL RESPONSE

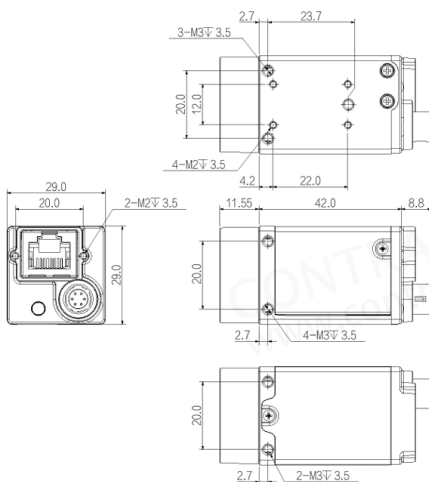


► ENVIRONMENT

Storage Temperature	-30°C ~ +80°C
Operating Temperature	0°C ~ +50°C

► DIMENSIONS

Size	29×29×42 mm (98g) (excluding lens mount and rear port interface)
------	---



FOR MORE INFORMATION CONTACT



✉ market@contrasttech.com

☎ 86-571-89712238

🌐 www.contrasttech.com

MORE PRODUCTS

