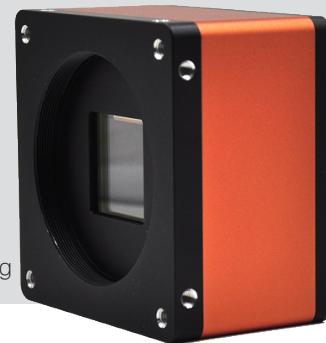




Mars50MC-30xm/xc-M58

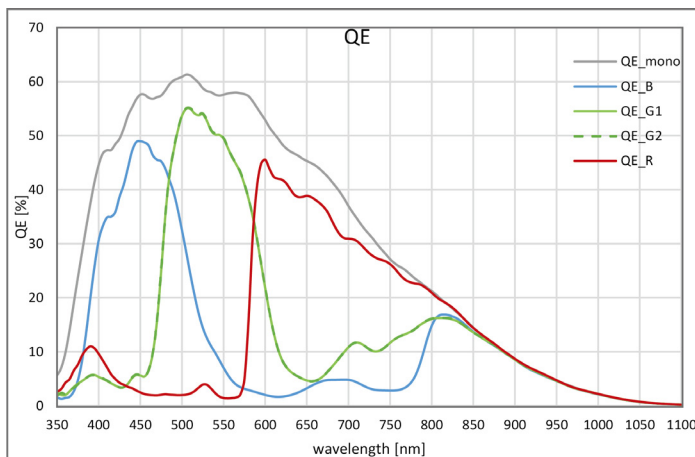
- 50MP @30 fps
- CoaXPRESS uses CXP-6, theoretical bandwidth 4 x 6.25Gbps
- Compatible with CoaXPRESS Protocol, GenICam Standard, and the third-party software based on these protocol and standard
- Support Windows operating platform
- Support PoCXP power supply and DC 24V power supply

**Applied range** • Printing • Textile • Railway • Logistics • Metallurgy • Food • Pharmaceutical • Material sorting

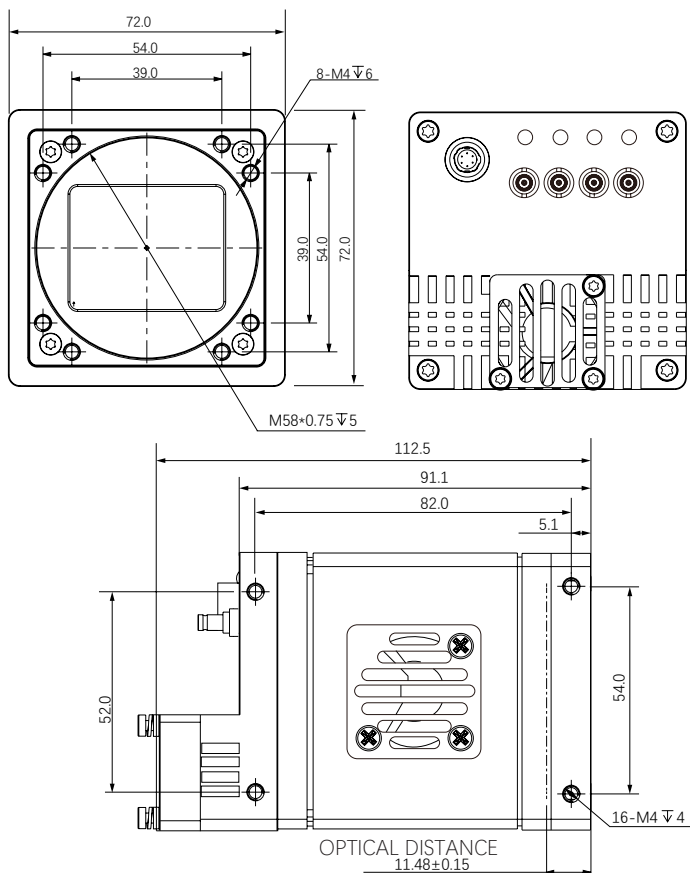


Camera	Mars50MC-30xm/xc-M58
Resolution [H*V]	7920 x 6004
Sensor	CMV50000
Pixel Size [ $\mu\text{m}$ ]	4.6 x 4.6
Frame Rate [fps]	30
Data Bit	12bit
Exposure Time	50 $\mu\text{s}$ ~5s
Dynamic Range	64dB
Mono/Color	Mono / Color
Image Format	Mono: Mono8/10/12 Color: BayerBG8/10/12
Interface	CoaXPRESS
Synchronization	Via hardware trigger、software trigger or free run mode
Programmable Control [ISP]	Image resolution、RGB Gain、Exposure time、Gamma form、Image rollovers、Raw、LUT、Black level correction
Housing Size [l*w*h]	72.0 x 72.0 x 112.5 mm (720g)
Operating Temperature	-30~80 ° C (Storage), -30~50° C (Working)
Lenses Mount	M58*0.75
Digital I/O	6-pin Hirose interface: Configurable input and output x 3;
Power Input	PoCXP / DC 24V
Power Consumption	24V@ $\approx$ 15W
Driver	Frame Grabber control software compliant with CoaXPRESS protocol
Operating System	Windows
Conformity	CoaXPRESS, GenICam

### Spectral Response



### Dimensions



No.8, Xiyuan 9th Road West Lake District, Hangzhou 310030 China  
 Tel: 86-571-89712238 Web: www.contrastech.com  
 Email: market@contrastech.com

