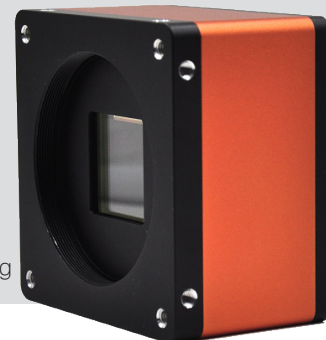


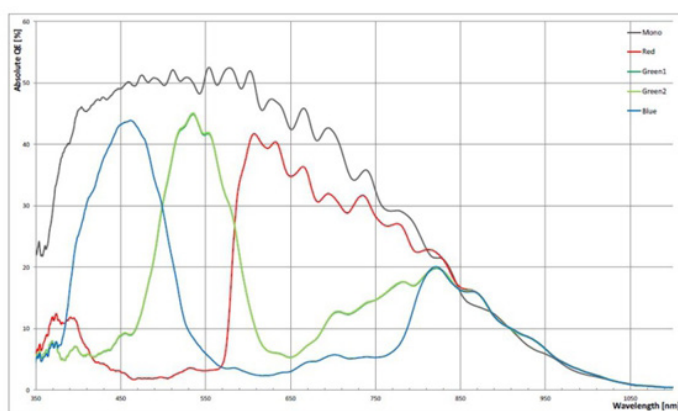
- 12MP @188 fps
- CoaXPRESS uses CXP-6, theoretical bandwidth 4 x 6.25Gbps
- Compatible with CoaXPRESS Protocol, GenICam Standard, and the third-party software based on these protocol and standard
- Support Windows operating platform
- Support PoCXP power supply and DC 24V power supply

Applied range • Printing • Textile • Railway • Logistics • Metallurgy • Food • Pharmaceutical • Material sorting

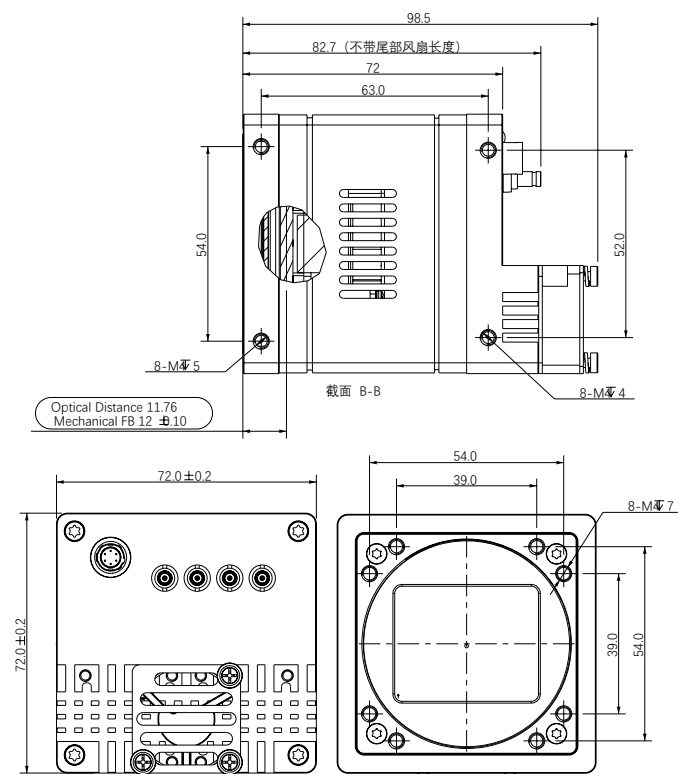


Camera	Mars12MC-188xm/xc-M58
Resolution [H*V]	4096 x 3072
Sensor	CMV12000
Pixel Size [μm]	5.5 x 5.5
Frame Rate [fps]	188
Data Bit	12bit
Exposure Time	1 μs ~1s
Dynamic Range	60dB
Mono/Color	Mono / Color
Image Format	Mono: Mono8/10/12 Color: BayerGR8/10/12, BayerRG8/10/12, BayerGB8/10/12, BayerBG8/10/12
Interface	CoaXPRESS
Synchronization	Via hardware trigger、software trigger or free run mode
Programmable Control [ISP]	Image resolution、RGB Gain、Exposure time、Gamma form、Image rollovers、Raw、LUT、Black level correction
Housing Size [l*w*h]	72.0 x 72.0 x 72.0 mm (720g)
Operating Temperature	-30~80 ° C (Storage), -30~50° C (Working)
Lenses Mount	M58*0.75(FBL 12)
Digital I/O	6-pin Hirose interface: Configurable input and output x 3;
Power Input	PoCXP / DC 24V
Power Consumption	24V@ \approx 15W
Driver	Frame Grabber control software compliant with CoaXPRESS protocol
Operating System	Windows
Conformity	CoaXPRESS, GenICam

Spectral Response



Dimensions



No.8, Xiyuan 9th Road West Lake District, Hangzhou 310030 China
 Tel: 86-571-89712238 Web: www.contrastech.com
 Email: market@contrastech.com