



### Mars720S-350cm/cc

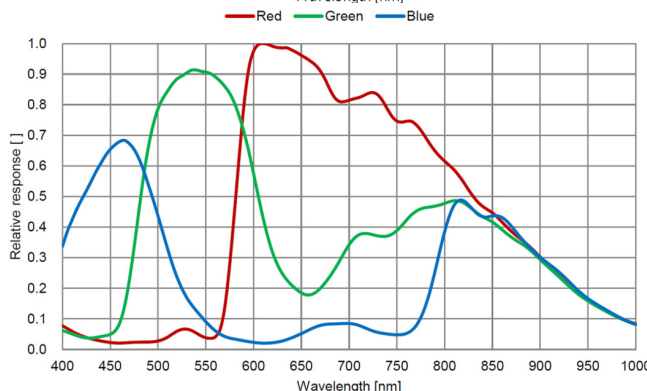
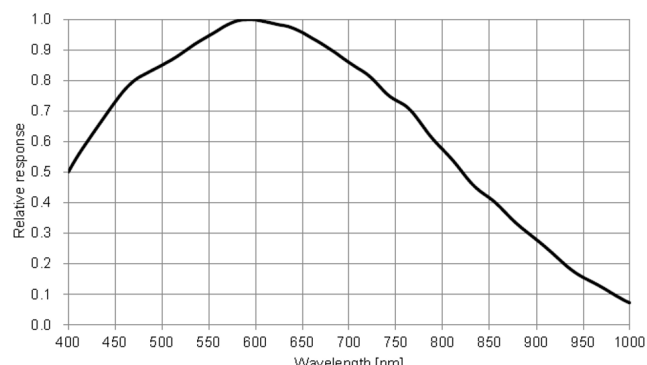
- 0.4MP @349fps (80MHz)
- Compatible with Cameralink protocol and GenICam standard
- Support triggering via CameraLink frame grabber
- Support Windows operating platform
- Support DC 24V power supply



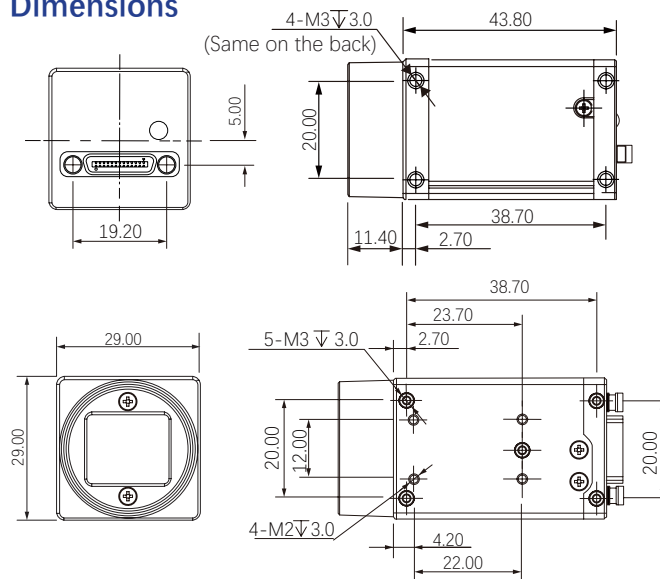
**Applied range** • Printing • Textile • Railway • Logistics • Metallurgy • Food • Pharmaceutical • Material sorting

Camera	Mars720S-350cm/cc
Resolution [H*V]	720 x 540
Sensor	Sony IMX287
Sensor Size	1/2.9"
Pixel Size [μm]	6.9 x 6.9
Frame Rate [fps]	349
Data Bit	10bit
Exposure Time	16μS~1S
Dynamic Range	70dB
Mono/Color	Mono/Color
Image Format	Monochrome: Mono8/10 Color: BayerRG8/10
Interface	Cameralink
Synchronization	Via hardware trigger、software trigger or free run mode
Programmable Control [ISP]	Image resolution、Exposure time、Gamma form、Image rollovers、Raw、LUT、Black level correction
Housing Size [l*w*h]	29.0 × 29.0 × 43.8 mm (80g)
Operating Temperature	-30~80 ° C (Storage), -30~50° C (Working)
Lenses Mount	C-Mount
Digital I/O	Opto-isolated input x 1, opto-isolated output x 1, and bi-directional custom non-isolated I/O x 1
Power Input	PoCL, DC 6-24V
Power Consumption	12V@2.38W
Driver	Mars Series Camera Software Suite (iCentral) or 3rd Party Cameralink Protocol Software
Operating System	Windows
Conformity	Cameralink, GenICam

### Spectral Response



### Dimensions



No.8, Xiyuan 9th Road West Lake District, Hangzhou 310030 China  
 Tel: 86-571-89712238 Web: www.contrastech.com  
 Email: market@contrastech.com

