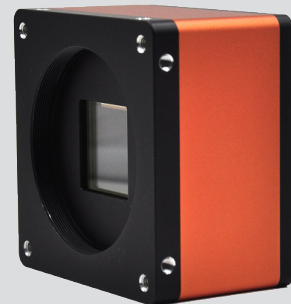




### Mars46MD-18cm/cc

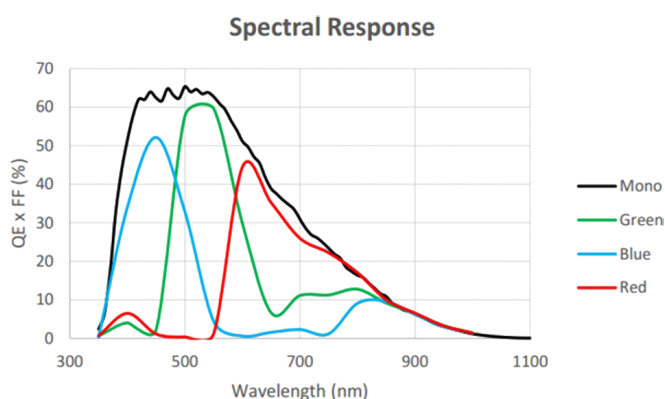
- 46MP @17.5(85M,10TAP)
- Compatible with Cameralink protocol and GenICam standard
- Support triggering via CameraLink frame grabber
- Support Windows operating platform
- Support DC 24V power supply



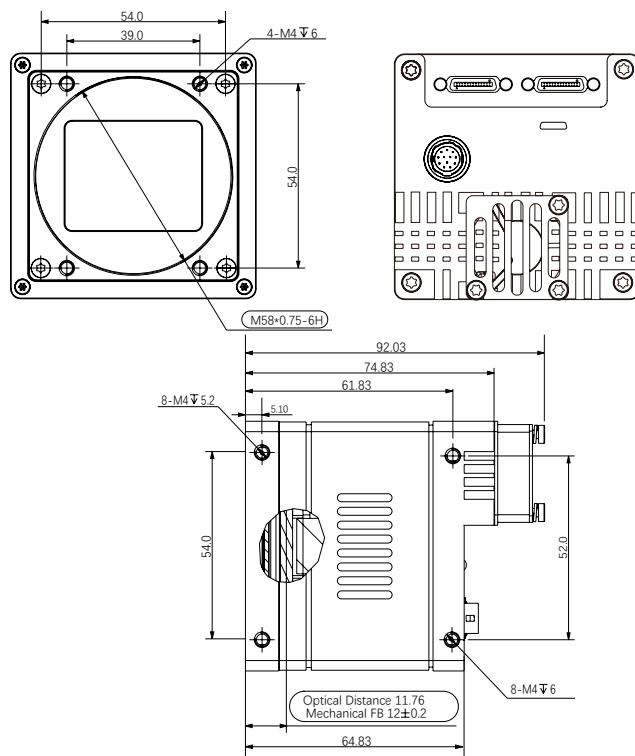
**Applied range** • Printing • Textile • Railway • Logistics • Metallurgy • Food • Pharmaceutical • Material sorting

Camera	Mars46MD-18cm/cc
Resolution [H*V]	9280 x 4992
Sensor	/
Sensor Size	33.9mm(29.9mm x 16.0mm)
Pixel Size [μm]	3.2 x 3.2
Frame Rate [fps]	17.5
Data Bit	12bit
Exposure Time	16μS~15S
Dynamic Range	66dB
Mono/Color	Mono/Color
Image Format	Monochrome: Mono8 Color: BayerRG8
Interface	Cameralink
Synchronization	Via hardware trigger、software trigger or free run mode
Programmable Control [ISP]	Image resolution、RGB Gain、 Exposure time、 Gamma form、 Image rollovers、 Raw、 LUT、 Black level correction
Housing Size [l*w*h]	72.0 × 72.0 × 65.0 mm (490g)
Operating Temperature	-30~80 ° C (Storage), -30~50° C (Working)
Lenses Mount	M58*0.75(FBL 12)
Digital I/O	CameraLink, used for camera control and data transmission;
Power Input	DC 24V
Power Consumption	24V@6.83W
Driver	Mars Series Camera Software Suite (iCentral) or 3rd Party Cameralink Protocol Software
Operating System	Windows
Conformity	Cameralink, GenICam

### Spectral Response



### Dimensions



No.8, Xiyuan 9th Road West Lake District, Hangzhou 310030 China  
 Tel: 86-571-89712238 Web: www.contrastech.com  
 Email: market@contrastech.com

