



### Mars4096G-L120cm

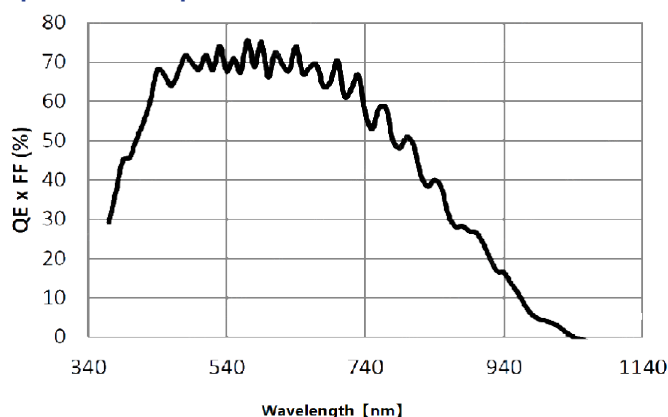
- 4K @120 KHz
- CameraLink supports Pixel Clock Speed of 33/48/64/80 MHz
- Compatible with Cameralink Protocol, GenICam Standard, and the third-party software based on these protocol and standard
- Support Windows



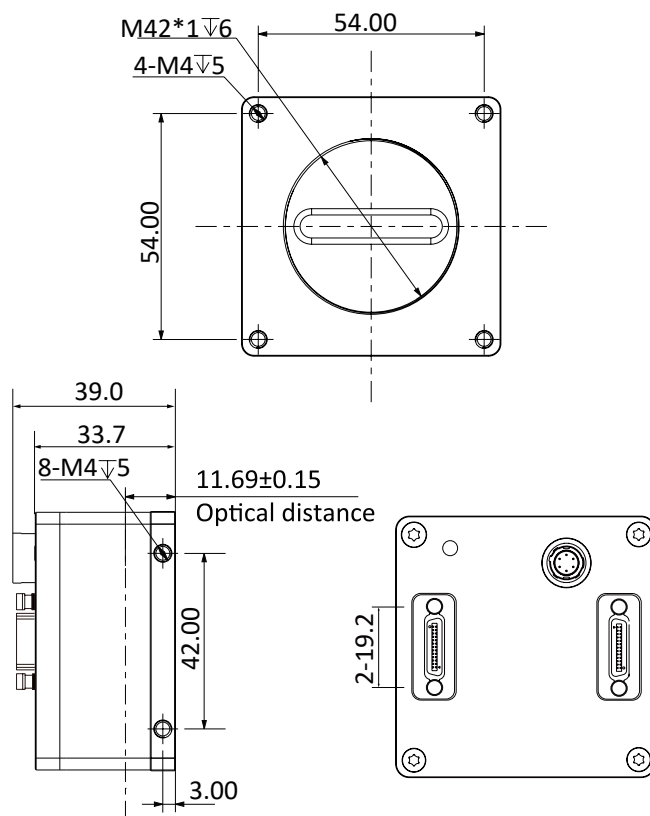
**Applied range** • Printing • Textile • Railway • Logistics • Metallurgy • Food • Pharmaceutical • Material sorting

Camera	Mars4096G-L120cm
Resolution [H*V]	4096 × 1
Sensor Type	CMOS
Pixel Size [μm]	7 × 7
Line Frequency [KHz]	120
Data Bit	12bit
Exposure Time	4μs~100ms
Dynamic Range	66 dB
Mono/Color	Mono
Image Format	Mono8/10
Interface	CameraLink
Synchronization	Via external trigger (frame grabber)/free run mode
Pixel Clock Speed	33/48/64/80 MHz
Housing Size [l*w*h]	62 mm×62 mm×33.68 mm (252g)
Operating Temperature	-30~80 ° C (Storage), -30~50° C (Working)
Lenses Mount	M42*1, BFL 11.69±0.15 mm
Digital I/O	CameraLink
Power Input	DC 12-24V
Power Consumption	4.5W
Driver	Mars Series Camera Software Suite (iCentral) or third-party CameraLink protocol software
Operating System	Windows
Conformity	CameraLink ,GenICam

### Spectral Response



### Dimensions



No.8, Xiyuan 9th Road West Lake District, Hangzhou 310030 China  
 Tel: 86-571-89712238 Web: [www.contrastech.com](http://www.contrastech.com)  
 Email: [market@contrastech.com](mailto:market@contrastech.com)