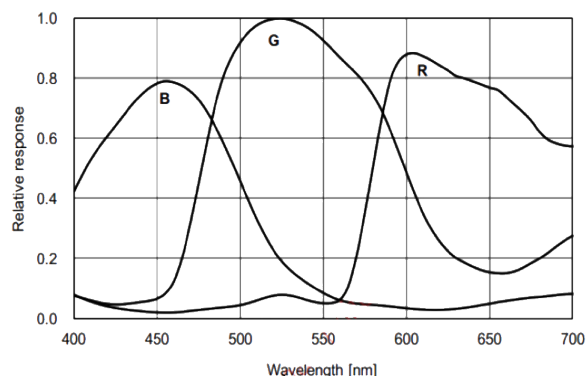
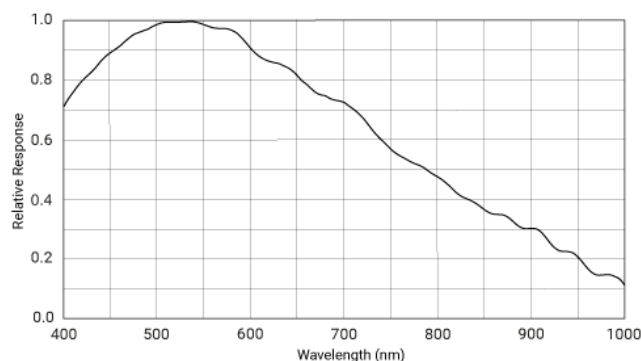


- 12MP @30 fps
- USB 3.0 interface with plug and play capability, USB3.0 power supply
- Compatible with USB3 Vision Protocol, GenICam Standard, and the third-party software based on these protocol and standard
- Support Windows、Linux
- USB3.0 Board-Level Camera

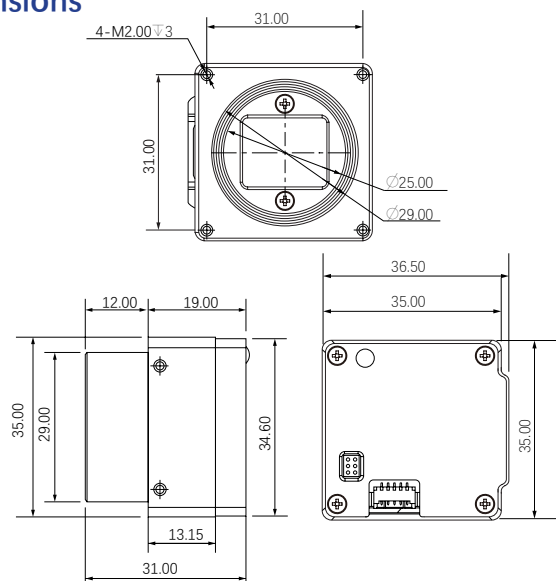
**Applied range** • Defect Detection • Surface Patch Detection • Visual Positioning • Size Measuring • QR Code Reading • VR/AR • Logistics

Camera	Mars4000S-30um/uc-BC
Resolution [H*V]	4000 x 3000
Sensor	Sony IMX226
Sensor Size	1/1.7"
Sensor Technology	Rolling, CMOS
Pixel Size [ $\mu\text{m}$ ]	1.85 x 1.85
Frame Rate [fps]	30
Data Bit	10bit
Exposure Time	55 $\mu\text{s}$ ~1s
Dynamic Range	66dB
Mono/Color	Mono
Image Format	Monochrome: Mono8/10/10Packed Color: BayerRG8/10/10Packed, BayerGB8/10/10Packed
Interface	USB3.0
Synchronization	Via hardware trigger、software trigger or free run mode
Programmable Control [ISP]	Image resolution、RGB Gain、Exposure time、Contrast ratio、Gamma form、Image rollovers、Raw、LUT、Black level correction
Housing Size [l*w*h]	35.0 x 35.0 x 19.0 (68g)
Operating Temperature	-30~80 ° C (Storage), -30~50° C (Working)
Lenses Mount	C-Mount
Digital I/O	5 pin trigger connector: Opto-isolated input x1, Opto-isolated output x1, configurable input and output x1
Power Input	DC 5V, Supporting USB
Power Consumption	5V@ $\approx$ 2.8W
Driver	Mars Series Camera Software Suite or 3rd party USB3 Vision Software
Operating System	Windows,Linux
Conformity	USB3 Vision,GenICam

### Spectral Response



### Dimensions



No.8, Xiyuan 9th Road West Lake District, Hangzhou 310030 China  
 Tel: 86-571-89712238 Web: [www.contrastech.com](http://www.contrastech.com)  
 Email: [market@contrastech.com](mailto:market@contrastech.com)