

Shadowless Ring Illumination -WR Series

Ring lights provide uniform surface illumination.

Features

- LED beads are evenly distributed around. The light penetrate the LGP and become uniform and diffusible.
- This series are widely used in the occasion that reflective light or light spots are not welcome.

Applications

- Check cigarette case printing
- Latness of diode pins
- Haracters on IC chips

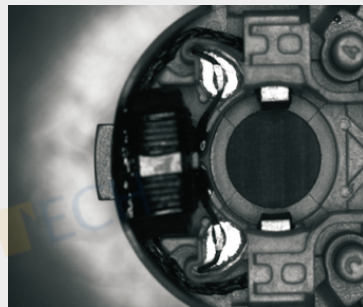


Examples of Shadowless High Ange Ring Light Images



Lights:WR100W

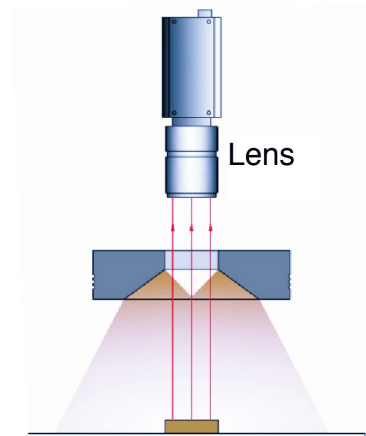
Imaging of CAN's bottom



Lights: WR48W

Imaging of soldering on plastic parts

Illumination Structure



Common Specifications

| | |
|--------------------------------|---|
| Input voltage | 24 VDC |
| Connector | SMR-03V-B |
| Wavelength range | Red: 620-630nm; Blue: 460-475nm; Green: 520-530nm; |
| Color temperature (white) | 6000-7500K |
| Operating environment (indoor) | Temperature: 0~40°C Humidity: 20% to 85% RH (with no condensation) |
| Life time | White:30,000hrs, Red: 60,000hrs (Depends on the operating environment, not a guarantee) |
| Case material | Aluminum alloy, Resin |

Explanation of Model Code

| | | |
|-----------|----------------|---------|
| VT-LT2-WR | 116 | (W/B/R) |
| Series | Outer Diameter | Color |

| Model No. | Electrical specifications (GREEN / NIR / UV Accept custom) | | | Dimensions | | |
|--------------|---|-------------------------|-----------------------------|---------------------|---------------------|----------------|
| | Supply Voltage (v) | Power cons. (w) ● | Power cons. (w) ● ○ ● | Outer diam. (mm) | Inner diam. (mm) | Height (mm) |
| VT-LT2-WR48 | 24 | 2.2 | 3.8 | 48 | 10 | 18.5 |
| VT-LT2-WR74 | 24 | 3.6 | 6.3 | 74 | 20 | 18 |
| VT-LT2-WR100 | 24 | 7.4 | 9.7 | 100 | 35 | 18 |
| VT-LT2-WR120 | 24 | 9.9 | 12.7 | 120 | 55 | 18 |
| VT-LT2-WR150 | 24 | 15.0 | 20.2 | 150 | 60 | 24 |

Dimension (mm)

