

LED Spot Illumination -Pi Series

Features

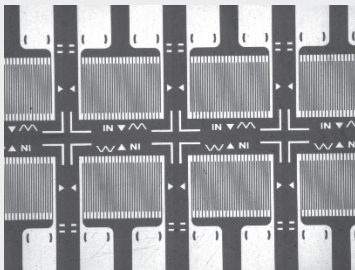
- It is a light source for a telecentric lens. With coaxial lens, it can replace coaxial lights.
- High output LED, compact design, high light intensity.
- Efficient cooling method is used to prolong service life.

Applications

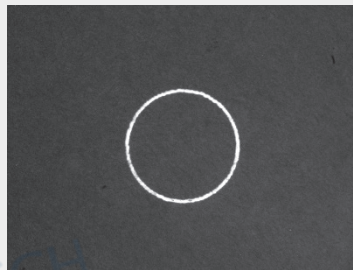
- Used on LED die bonder, chip inspection, mark points location.
- Working with coaxial lens to inspect small component.
- Suitable for machine vision system with limited installing space.



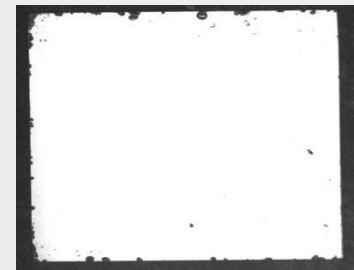
Examples of Pi Light Images



Circuit board printing inspection



Location for mark spot printed on the glass.



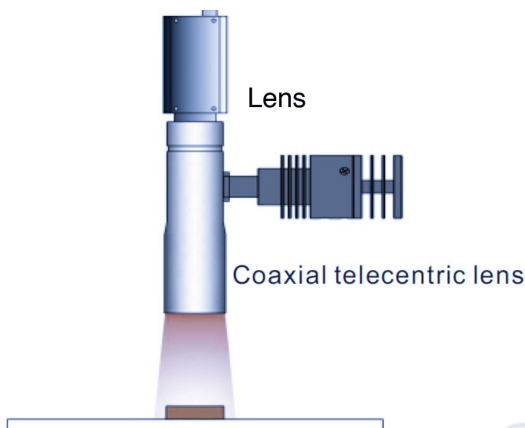
Imaging for characters and defects inspection on wafers.

Explanation of Model Code

VT-LT2-PI	24	8	(W/B/G/R)	3W
Series	Outer Diam.	Color	Power cons.	

Model No.	Voltage (v)	Power cons. (w)	Emitting Diameter (mm)	interface Diameter (mm)	Dimension (mm)	
					Outer Diam.	Height
VT-LT2-Pi2158(W/B/G/R)-3W	5	3.0	7	8	21	58
VT-LT2-Pi2150(W/B/G/R)-1W	5	1.0	7	8	21	50

Lighting Structure



Dimension (mm)

