

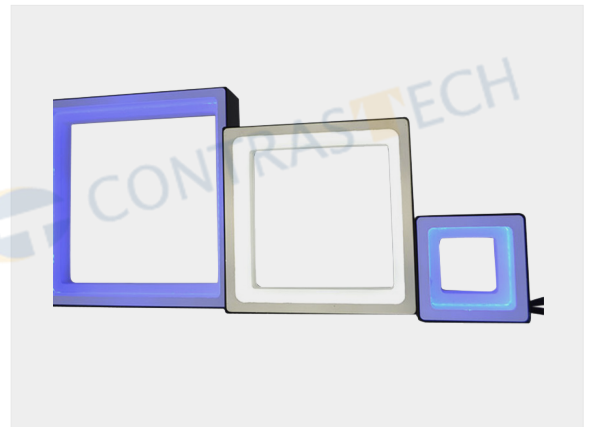
# Square Illumination -MT Series

## Features

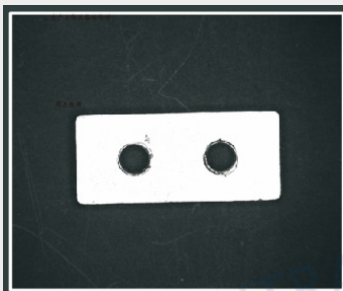
- The LED beads are evenly distributed around four sides.
- Diffusion light come through light guiding plate.

## Applications

- Inspection of cigarette cases, diode pins flatness characters on IC pins, metal surface scratches, BGA welding spot, etc.
- Perfect for square workpieces, it can detect the outline of corners.

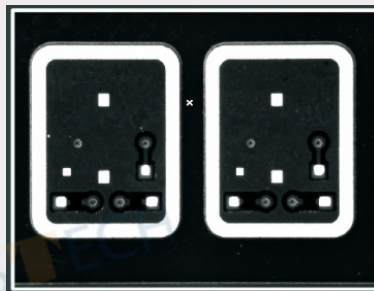


## Examples of Shadowless MT Light Images



Lights: MT48B

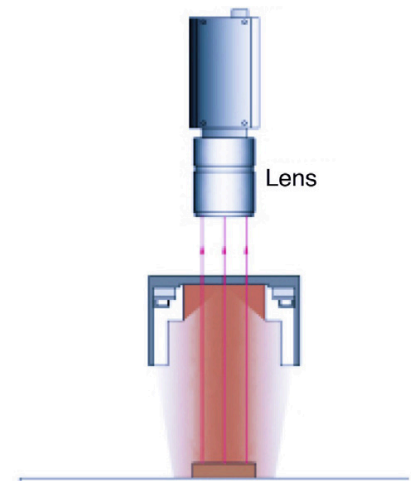
Imaging of outline and surface details of workpiece



Lights: MT48B

Imaging of outline and internal bumps of workpiece

## Illumination Structure



## Common Specifications

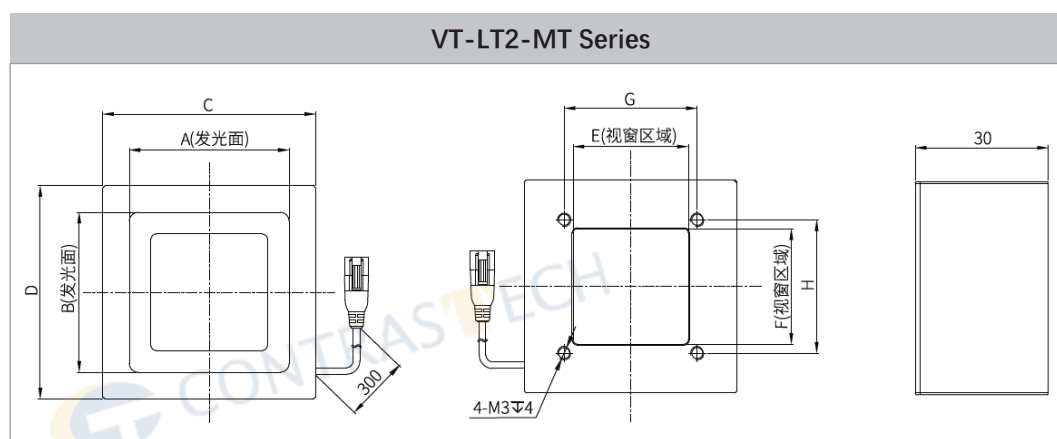
Input voltage	24 VDC
Connector	SMR-03V-B
Wavelength range	Red: 620-630nm; Blue: 460-475nm; Green: 520-530nm;
Color temperature (white)	5800-7500K
Operating environment (indoor)	Temperature: 0~40°C Humidity: 20% to 85% RH (with no condensation)
Life time	White:30,000hrs, Red: 60,000hrs (Depends on the operating environment, not a guarantee)
Case material	Aluminum alloy, Resin

## Explanation of Model Code

VT-LT2-MT	60	(W/B/R)
Series	Lighting Area-Length	Color

Model No.	Optical spec.		Inner Hole Size (mm)	Working Distance	Electrical specifications (GREEN / NIR / UV Accept custom)			Dimensions		
	Length (mm)	Width (mm)			Recommend WD (mm)	Supply Voltage (v)	Power cons. (w) ● ● ●	Power cons. (w) ● ○ ●	Length (mm)	Width (mm)
VT-LT2-MT22	22	22	10×10	5	24	2.2	2.9	32	32	30
VT-LT2-MT36	36	36	26×26	5	24	4.2	6.2	48	48	30
VT-LT2-MT63	63	63	53×53	12	24	9.9	9.4	75	75	30
VT-LT2-MT84	84	84	74×74	15	24	12.9	11.5	96	96	30
VT-LT2-MT108	108	108	98×98	25	24	15.2	16.8	120	120	30
VT-LT2-MT187	187	107	177×97	35	24	15.5	21.8	200	120	30

## Dimension (mm)



Model No.	Dimensions							
	A	B	C	D	E	F	G	H
VT-LT2-MT22	22	22	32	32	10	10	15	15
VT-LT2-MT36	36	36	48	48	26	26	30	30
VT-LT2-MT63	63	63	75	75	53	53	57	57
VT-LT2-MT84	84	84	96	96	74	74	78	78
VT-LT2-MT108	108	108	120	120	98	98	102	102
VT-LT2-MT187	107	187	120	200	97	177	102	180