

High Angle Ring Illumination - HR Series

Features





- Multi angles available for right light to get vivid image
- High density LED arrays for the intensity illumination
- Diffuser is available to increase the uniformity of illumination
- Breakthrough wave-soldering technology to improve production quality and efficiency.

Applications

- Lead frame inspection
- Electronic component appearance inspection
- QFP/SOP lead curve inspection
- Transparency film dirt inspection
- Various types of silhouette observation



Sample Images

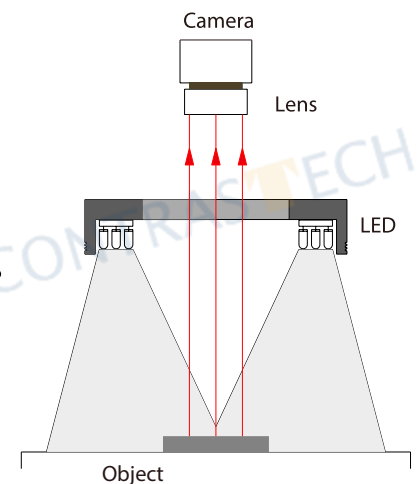
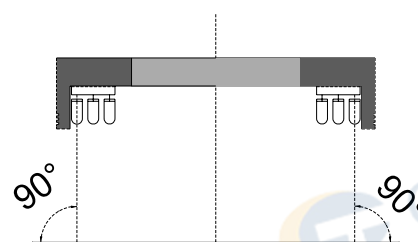
			
Imaging for characters printed on water bottle cap	Imaging for characters SD card contact	Imaging for characters Bearing scratch	Imaging for characters Battery surface

Explanation of Model Code

VT-LT2-HR	7035	90	(W/B/G/R)
Series	O.D./I.D.	Angle *	Color

*The emission angle refers to the angle between light and horizontal plane.

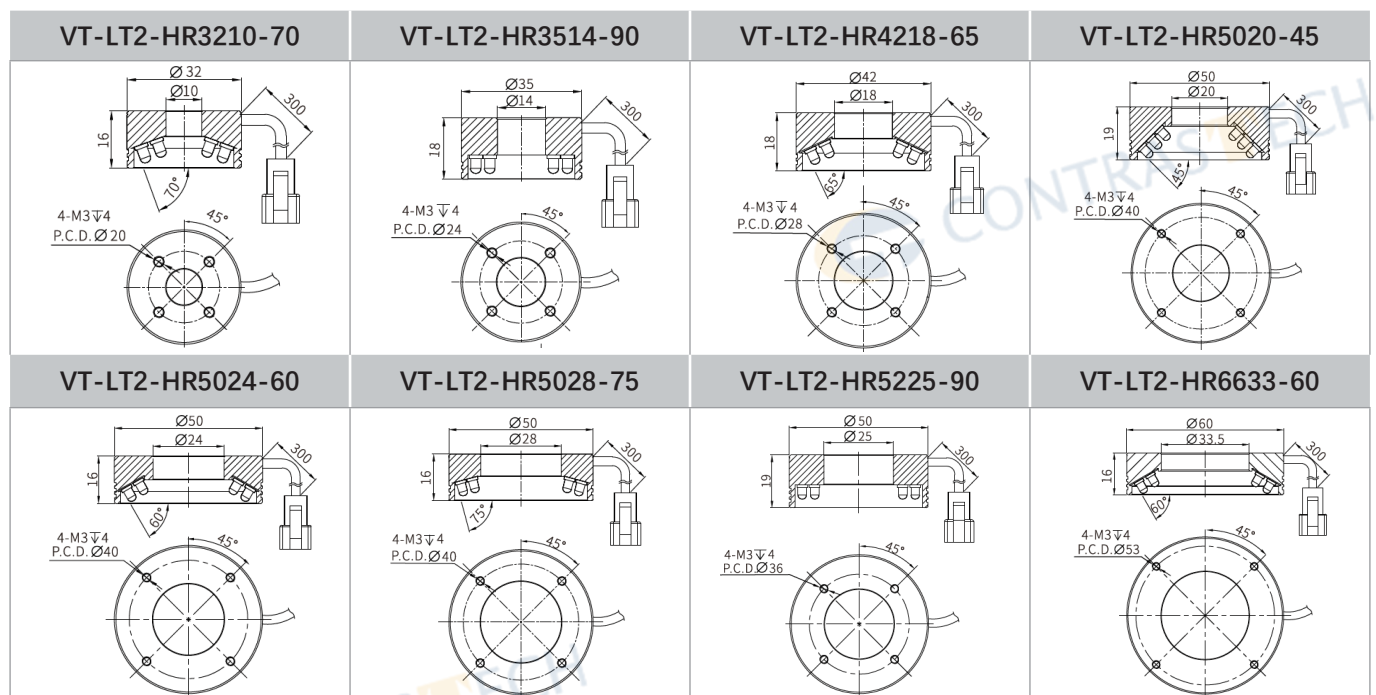
Illumination Structure



Common Specifications

Input voltage	24 VDC
Wavelength range	Red: 620-630nm; Blue: 460-475nm; Green: 520-530nm;
Color temperature (white)	6500-8500K
Operating environment (indoor)	Temperature: 0~40°C Humidity: 20% to 85% RH (with no condensation)
Life time	White:30,000hrs, Red: 60,000hrs (Depends on the operating environment, not a guarantee)
Case material	Aluminum alloy, Resin

Model No.	Optical spec.	Working Distance	Electrical specifications (NIR / UV Accept custom)			Dimensions		
	Emission angle (deg)	Recommended WD (mm)	Supply Voltage (v)	Power cons. (w) ●	Power cons. (w) ● ○ ●	Outer diam. (mm)	Inner diam. (mm)	Height (mm)
VT-LT2-HR3210-70	70°	15-25	24	1.4	1.4	32	10	16
VT-LT2-HR3514-90	90°	15	24	1.5	1.5	35	14	18
VT-LT2-HR4218-65	65°	19-29	24	1.7	2.2	42	18	18
VT-LT2-HR5020-45	45°	4-16	24	2.5	3.8	50	20	19
VT-LT2-HR5024-60	60°	22-31	24	2.1	2.6	50	24	16
VT-LT2-HR5028-75	75°	56	24	1.8	2.5	50	28	16
VT-LT2-HR5225-90	90°	26	24	1.9	2.6	50	25	19
VT-LT2-HR6633-60	60°	30-38	24	3.1	3.2	60	33.5	16
VT-LT2-HR6630-60	60°	27-43	24	3.8	5.2	66	30	17
VT-LT2-HR7038-45	45°	12-35	24	4.1	5.8	70	38	21
VT-LT2-HR7030-60	60°	28-46	24	4.1	5.2	70	30	20
VT-LT2-HR7035-90	90°	36	24	4.1	4.8	70	35	22
VT-LT2-HR7435-60	60°	28-45	24	4.0	5.4	74	35	20
VT-LT2-HR9056-45	45°	50-90	24	6.6	6.4	90	56	20
VT-LT2-HR9050-70	70°	68-103	24	7.6	9.0	90	50	20
VT-LT2-HR10040-90	90°	100-150	24	9.9	10.0	100	40	20
VT-LT2-HR12080-50	50°	30-48	24	12.1	12.9	120	80	21
VT-LT2-HR12065-75	75°	130-180	24	13.1	15.5	120	65	17
VT-LT2-HR12050-90	90°	120-200	24	9.8	20.5	120	50	18
VT-LT2-HR15025-90	90°	150-240	24	18.5	24.9	150	25	22.5
VT-LT2-HR180126-60	60°	106-240	24	20.1	29.4	180	126	23
VT-LT2-HR210145-60	60°	116-166	24	23.5	30.0	210	145	25



Dimension (mm)

<p>VT-LT2-HR6630-60</p> <p>Ø66 Ø30 300 60° 4-M3x4 P.C.D. Ø49.5 45°</p>	<p>VT-LT2-HR7038-45</p> <p>Ø70 Ø38 300 45° 4-M3x4 P.C.D. Ø54 45°</p>	<p>VT-LT2-HR7030-60</p> <p>Ø70 Ø30 300 60° 4-M3x4 P.C.D. Ø54 45°</p>	<p>VT-LT2-HR7035-90</p> <p>Ø70 Ø35 300 90° 4-M3x4 P.C.D. Ø50 45°</p>
<p>VT-LT2-HR7435-60</p> <p>Ø74 Ø35 300 60° 4-M3x4 P.C.D. Ø60 45°</p>	<p>VT-LT2-HR9056-45</p> <p>Ø90 Ø56 300 45° 4-M3x4 P.C.D. Ø75 45°</p>	<p>VT-LT2-HR9050-70</p> <p>Ø90 Ø50 300 70° 4-M3x4 P.C.D. Ø70 45°</p>	<p>VT-LT2-HR10040-90</p> <p>Ø100 Ø40 300 90° 4-M3x4 P.C.D. Ø75 45°</p>
<p>VT-LT2-HR12080-50</p> <p>Ø120 Ø80 300 50° 4-M3x4 P.C.D. Ø100 45°</p>	<p>VT-LT2-HR12065-75</p> <p>Ø120 Ø65 300 75° 4-M3x4 P.C.D. Ø110 45°</p>	<p>VT-LT2-HR12050-90</p> <p>Ø120 Ø50 300 90° 4-M3x4 P.C.D. Ø100 45°</p>	<p>VT-LT2-HR15025-90</p> <p>Ø150 Ø25 300 90° 4-M3x4 P.C.D. Ø100 45°</p>
<p>VT-LT2-HR180126-60</p> <p>Ø180 Ø126 300 60° 4-M3x4 P.C.D. Ø161 45°</p>	<p>VT-LT2-HR210145-60</p> <p>Ø210 Ø145 300 60° 4-M3x4 P.C.D. Ø180 45°</p>		