

Square Bar type Illumination - HLMD Series

Features

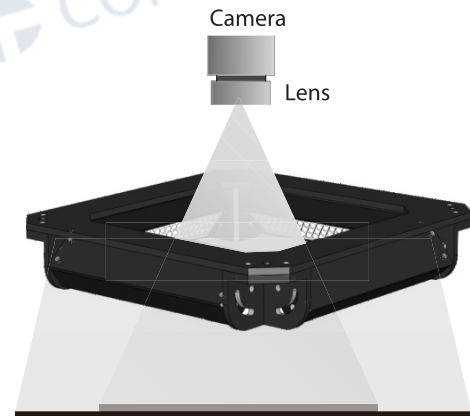
- Four high-intensity bar LED arrangement
- Optimal direct bright field or oblique dark field lighting from adjustable angles
- Can be controlled independently

Applications

- OCR on IC chips.
- Location of MARK point.
- Various inspections of large area flat material.



Illumination Structure

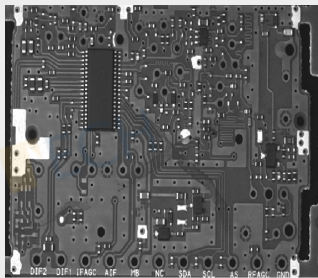


Sample Images



Lights: HLMD-8080W-MS

Use the HLMD Lights to illuminate the keyboard. Illuminating from a specific angle, can find out missing & incline characters, and other defects.



Lights: HLMD-7474R-MS

Illuminated in a low angle on PCB board surface can check whether all components present.



Lights: HLMD-4444 W-MS

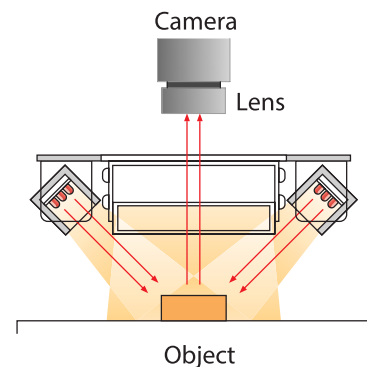
Freely adjust each light's angle, make the product's surface evenly illuminated and surface character clearly showed/ demonstrated. Can inspect different defects on the mobile's surface.

Common Specifications

Input voltage	24 VDC
Connector	SMR-03V-B
Wavelength range	Red: 620-630nm; Blue: 465-475nm; Green: 515-530nm;
Color temperature (white)	6000-7500K
Operating environment (indoor)	Temperature: 0~40°C Humidity: 20% to 85% RH (with no condensation)
Life time	White:30,000hrs, Red: 60,000hrs (Depends on the operating environment, not a guarantee)
Case material	Aluminum alloy, Resin

Explanation of Model Code

VT-LT2-HLMD	28	28	(W/B/G/R)
Series	Emitting Length	Emitting Width	Color



Optional Accessory: Diffusion Plate

To be mounted in front of the LED lighting.
Used to soften the lighting output, so as to reduce the glares on specular surface.



Model No.	Optical spec.			Electrical specifications (NIR / UV Accept custom)			Dimensions		
	Light Area		Inner Hole (mm)	Supply Voltage (v)	Power cons. (w) ●	Power cons. (w) ● ○ ●	Length (mm)	Width (mm)	Height (mm)
Length (mm)	Width (mm)								
VT-LT2-HLMD4040	40	40	54.5×54.5	24	4×1.3	4×1.3	102	201	43
VT-LT2-HLMD8080	80	80	93.5×93.5	24	4×2.7	4×2.7	141	141	43
VT-LT2-HLMD9898	98	98	-	24	4×3.5	4×5.8	185.5	185.5	42
VT-LT2-HLMD119119	119	119	132.5×132.5	24	4×4	4×4	180	180	43
VT-LT2-HLMD218218	218	218	237.5×237.5	24	4×7.8	4×7.8	305.5	305.5	43
VT-LT2-HLMD290290	290	290	309.5×309.5	24	4×10.5	4×10.5	377.5	377.5	43
VT-LT2-HLMD386386	386	386	405.5×405.5	24	4×14.6	4×14.6	473.5	473.5	43

Dimension (mm)

