

Dome Shape Illumination -DM Series

Features

- High density SMD LED beads provide high brightness light, which become uniform through dome-shaped reflective panel.
- With large irradiated area and high uniformity, it is suited for imaging of curved objects and specular **surface**.

Applications

- Visual/color/text determination inspections on glossy surfaces, curved surfaces, or uneven surfaces.
- Inspection for engraving/damage/stains on stain finishing.
- Inspection for parts on circuit boards, etc...



Examples of Dome Light Images



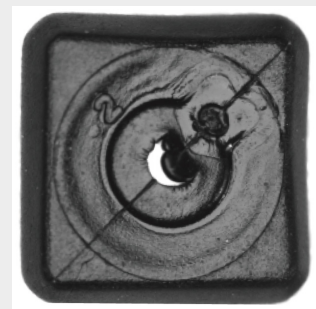
Lights: DM116W

Imaging of seasoning packet



Lights: DM175W

Imaging of smudginess on paper-cup surface



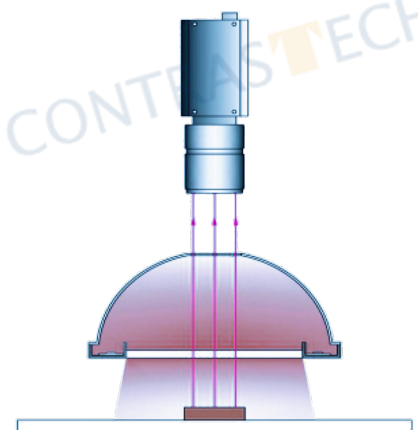
Lights: DM198W

Imaging of smudginess on paper-cup surface

Common Specifications

Input voltage	24 VDC
Connector	SMR-03V-B
Wavelength range	Red: 620-630nm; Blue: 460-475nm; Green: 520-530nm;
Color temperature (white)	6000-7500K
Operating environment (indoor)	Temperature: 0~40°C Humidity: 20% to 85% RH (with no condensation)
Life time	White:30,000hrs, Red: 60,000hrs (Depends on the operating environment, not a guarantee)
Case material	Aluminum alloy, Resin

Illumination Structure



Explanation of Model Code

VT-LT2-DM	116	(W/B/G/R)
Series	Outer Diam.	Color

Model No.	Optical spec.	Electrical specifications (NIR / UV Accept custom)			Dimensions		
	Light Area (mm)	Supply Voltage (v)	Power cons. (w) ●	Power cons. (w) ● ○ ●	Outer diam. (mm)	Inner diam. (mm)	Height (mm)
VT-LT2-DM44	Ø26	24	2.6	6.6	44	12	35
VT-LT2-DM70	Ø45	24	2.2	3.7	70	12	32
VT-LT2-DM116	Ø66	24	7.9	13.8	116	25	57
VT-LT2-DM134	Ø84	24	10.0	16.6	134	35	62.5
VT-LT2-DM166	Ø116	24	13.7	22.1	166	35	82
VT-LT2-DM198	Ø138	24	16.0	25.9	198	30	90
VT-LT2-DM266	Ø216	24	25.9	40.3	266	50	130
VT-LT2-DM300	Ø250	24	34.2	51.8	300	55	146

Dimension (mm)

