

Parallel Coaxial Illumination

-CPL Series

Features

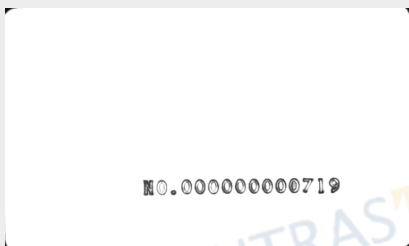
- Special optical system and multi lens assembly ensure homogeneity and parallelism.
- Patented products with imported spectroscopes ensure image quality.

Applications

- Inspecting raised characters, scratches, watermarks on card.
- Inspection for surface indentation and scratches on flat hardware.



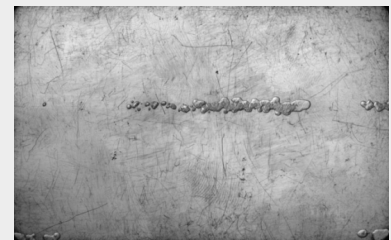
Examples of Coaxial Light Images



Light: CP5050W
Highlight characters



Light: CP6060W
Highlight scratches

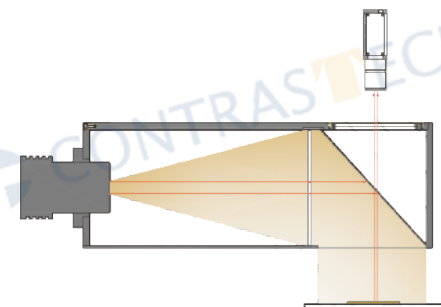


Light: CP6060W
Highlight watermarks

Common Specifications

Input voltage	24 VDC
Connector	SMR-03V-B
Wavelength range	Red: 620-630nm; Blue: 460-475nm; Green: 520-530nm;
Color temperature (white)	6000-7500K
Operating environment (indoor)	Temperature: 0~40°C Humidity: 20% to 85% RH (with no condensation)
Life time	White:30,000hrs, Red: 60,000hrs (Depends on the operating environment, not a guarantee)
Case material	Aluminum alloy, Resin

Illumination Structure



Explanation of Model Code

VT-LT2-CPL	50	50	(W/B/G/R)
Series	Emitting Length	Emitting Width	Color

Model No.	Optical spec.	Electrical specifications (GREEN / NIR / UV Accept custom)			Dimensions		
	Light Area (mm)	Supply Voltage (v)	Power cons. (w) ●	Power cons. (w) ● ○ ●	Length (mm)	Width (mm)	Height (mm)
VT-LT2-CPL2020	20x20	5	-	1	128.5	45	48.5
VT-LT2-CPL3838	38x38	5	-	3	158	56	56
VT-LT2-CPL6060	60x60	5	-	3	223.5	78	82

Dimension (mm)

