

### LEO 4096S-32um/uc

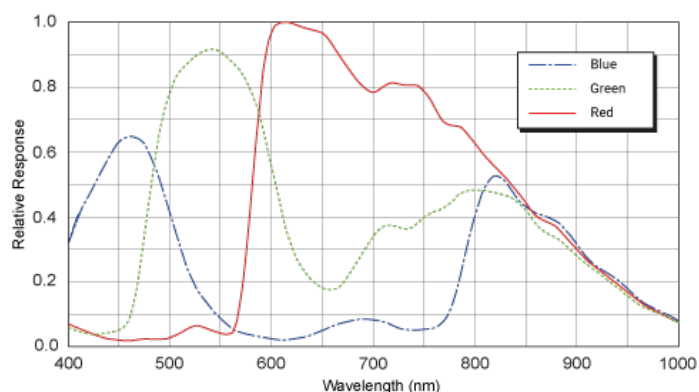
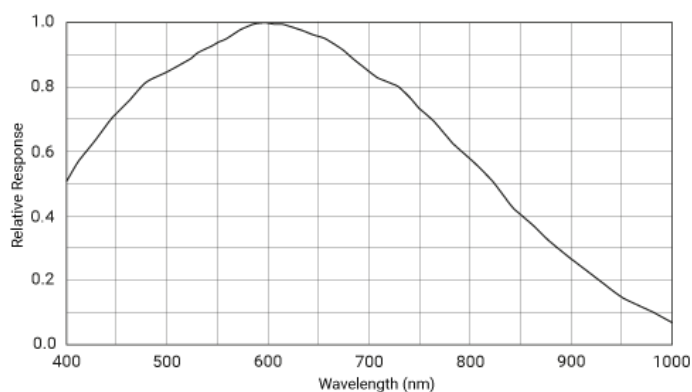
- 8.9MP resolution @32 fps
- USB 3.0 interface with plug and play capability, USB3.0 power supply
- Compatible with USB3 Vision Protocol, GenICam Standard, and the third-party software based on these protocol and standard.
- Support Windows and Linux



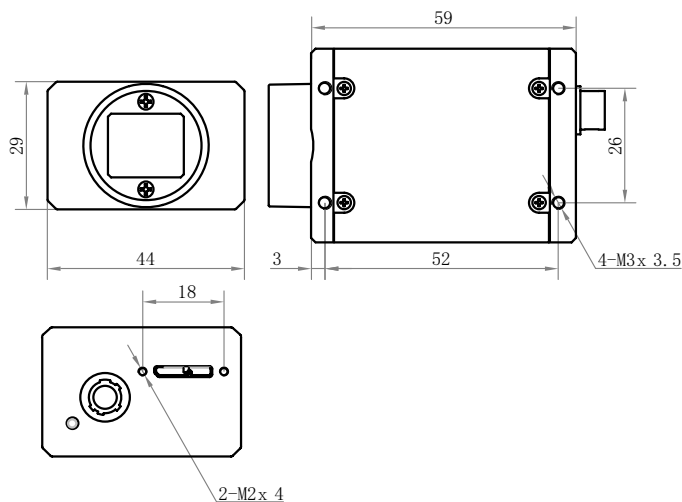
**Applied range** • Defect Detection • Surface Patch Detection • Visual Positioning • Size Measuring • QR Code Reading • VR/AR • Logistics

| Camera                     | LEO 4096S-32um/uc  |
|----------------------------|--|
| Resolution [H*V]           | 4096 × 2160  |
| Sensor                     | Sony IMX267  |
| Sensor Size                | 1"   |
| Sensor Technology          | Global, CMOS   |
| Pixel Size [μm]            | 3.45 × 3.45  |
| Frame Rate [fps]           | 32   |
| Data Bit                   | 8bit / 10bit / 12bit   |
| Exposure Time              | 15μs~10s   |
| Dynamic Range              | >72dB  |
| Mono/Color                 | Mono/Color   |
| Image Format               | Monochrome: Mono8/10/10p/12/12p<br>Color: Mono 8/10/12, Bayer RG 8/10/10p/12/12p, YUV422Packed, YUV422_YUYV_Packed, RGB8 |
| Interface                  | USB 3.0  |
| Synchronization            | Via hardware trigger, software trigger or free run mode  |
| Programmable Control [ISP] | Image resolution, RGB gain, Exposure time, Contrast ratio, Gamma form, Image rollovers, Raw, LUT, Black level correction |
| Housing Size [l*w*h]       | 29 × 44 × 59 mm (100g)   |
| Operating Temperature      | -30~70 ° C (Storage), 0~50° C (Working)  |
| Lenses Mount               | C-Mount  |
| Digital I/O                | Opto-isolated input x 1, opto-isolated output x 1, and bi-directional custom non-isolated I/O x 1                        |
| Power Input                | DC 12V, Supporting USB   |
| Power Consumption          | 5V @<3.2W  |
| Driver                     | LEO Series Camera Software Suite (iDatum) or 3rd party USB3 Vision Software  |
| Operating System           | Windows, Linux   |
| Conformity                 | USB3 Vision, GenICam   |

### Spectral Response



### Dimensions



No.8, Xiyuan 9th Road West Lake District, Hangzhou 310030 China  
Tel: 86-571-89712238 Web: [www.contrastech.com](http://www.contrastech.com)  
Email: [market@contrastech.com](mailto:market@contrastech.com)