

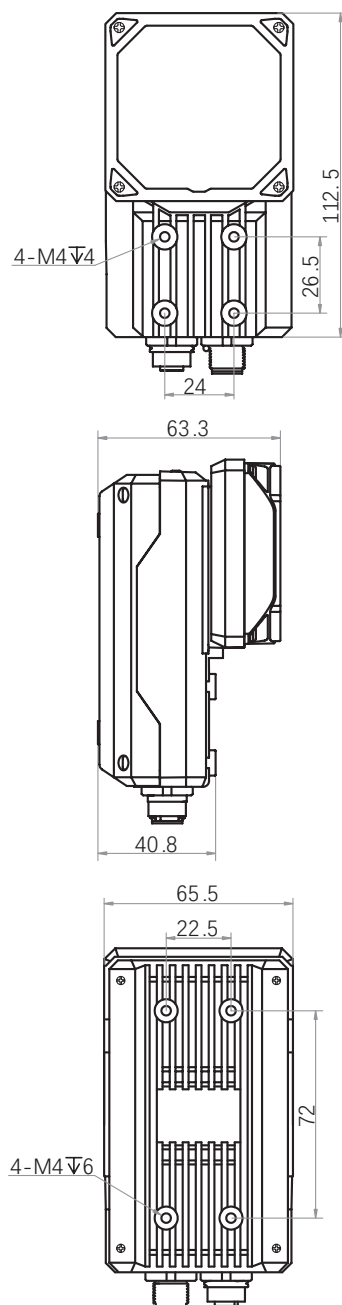
SM3072DL-M08/12

- 6MP @30 fps
- Built-in high-precision positioning, measurement, calibration, logic, defect detection, OCR and code reading and deep learning AI algorithms
- Output results via RS-232 and Ethernet, and cooperate with other processes via I/O
- Large memory and high-speed storage support image savings in loop with high performance
- Optional multi-color light source
- Supports mechanical autofocus, multi-focal length lens optional

Applied range • Counting • Existence • Size Measuring • QR Code Reading • Logistics Industry • Food and Medical Industry

Camera	SM3072DL-M08/12	
Vision Tool	Existence、Count、Positioning、Logic、Measurement、Recognition、Deep Learning	
Solution Capacity	Supports solution importing and exporting, up to 32 solutions and 40 modules can be stored.	
Communication Protocol	RS-232、TCP、UDP、FTP、Modbus、EtherNet/IP	
Resolution [H*V]	2368 × 1760	
Sensor Size	1/1.7"	
Sensor Technology	Rolling, CMOS	
Pixel Size [μm]	2.4 × 2.4	
Lens Mount	M12-Mount, mechanical autofocus supported.	
Focal Length	8mm	12mm
Lens Cap	Transparent lens cap. Polarization or infrared filter lens cap is optional.	
Light Source	14 LEDs White light by default. Red/blue/near-infrared is optional. (optional 48 high-brightness LEDs)	
Frame Rate [fps]	30	
Exposure Time	16μs~1s	
Memory/Storage	8 GB / 32 GB	
Mono/Color	Mono	
Image Format	Mono 8	
Ethernet	Gigabit Ethernet (1000Mbit/s)	
Digital I/O	12-pin M12 connector provides power and I/O, including opto-isolated input × 3, opto-isolated output × 3, and RS-232 × 1	
Power Input	DC 24V	
Power Consumption	24V @7.5W 24V @20W(light source enabled)	
Dimension	112.5 × 65.5 × 63.3 mm (450g)	
Temperature	-30~70 ° C (Storage), 0~50° C (Working)	
Software	SM-Datum	

Dimensions



No.8, Xiyuan 9th Road West Lake District, Hangzhou 310030 China
 Tel: 86-571-89712238 Web: www.contrastech.com
 Email: market@contrastech.com