

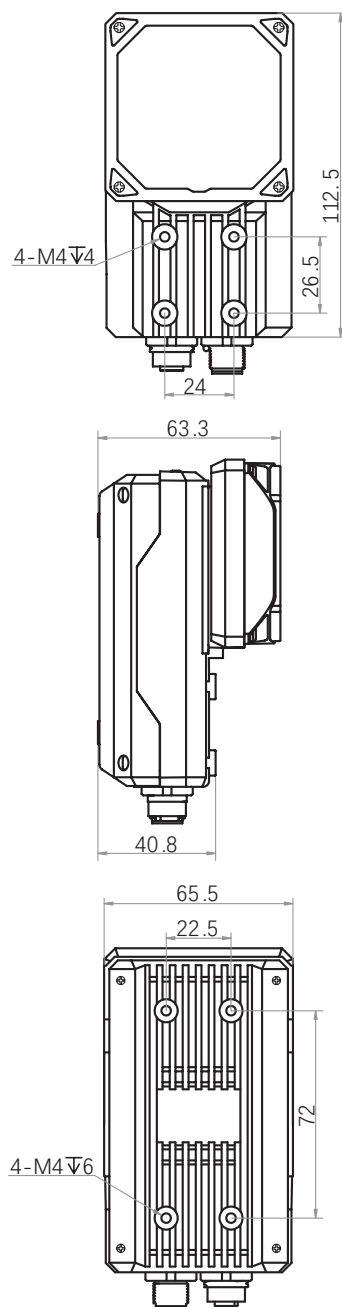
SM2368DL-M08/12/16

- 5MP @40 fps
- Built-in high-precision positioning, measurement, calibration, logic, defect detection, OCR and code reading and deep learning AI algorithms
- Output results via RS-232 and Ethernet, and cooperate with other processes via I/O
- Large memory and high-speed storage support image savings in loop with high performance
- Optional multi-color light source
- Supports mechanical autofocus, multi-focal length lens optional

Applied range • Counting • Existence • Size Measuring • QR Code Reading • Logistics Industry • Food and Medical Industry

Camera	SM2368DL-M08/12/16		
Vision Tool	Existence、Count、Positioning、Logic、Measurement、Recognition、Deep Learning		
Solution Capacity	Supports solution importing and exporting, up to 32 solutions and 40 modules can be stored.		
Communication Protocol	RS-232、TCP、UDP、FTP、Modbus、EtherNet/IP		
Resolution [H*V]	2368 × 1760		
Sensor Size	1/1.7"		
Sensor Technology	Global, CMOS		
Pixel Size [μm]	3.2 × 3.2		
Lens Mount	M12-Mount, mechanical autofocus supported.		
Focal Length	8mm	12mm	16mm
Lens Cap	Transparent lens cap. Polarization or infrared filter lens cap is optional.		
Light Source	14 LEDs White light by default. Red/blue/near-infrared is optional. (optional 48 high-brightness LEDs)		
Frame Rate [fps]	40		
Exposure Time	16μs~1s		
Memory/Storage	8 GB / 32 GB		
Mono/Color	Mono		
Image Format	Mono 8		
Ethernet	Gigabit Ethernet (1000Mbit/s)		
Digital I/O	12-pin M12 connector provides power and I/O, including opto-isolated input × 3, opto-isolated output × 3, and RS-232 × 1		
Power Input	DC 24V		
Power Consumption	24V @7.5W 24V @46W(light source enabled)		
Dimension	112.5 × 65.5 × 63.3 mm (450g)		
Temperature	-30~70 ° C (Storage), 0~50° C (Working)		
Software	SM-Datum		

Dimensions



No.8, Xiyuan 9th Road West Lake District, Hangzhou 310030 China
 Tel: 86-571-89712238 Web: www.contrastech.com
 Email: market@contrastech.com