

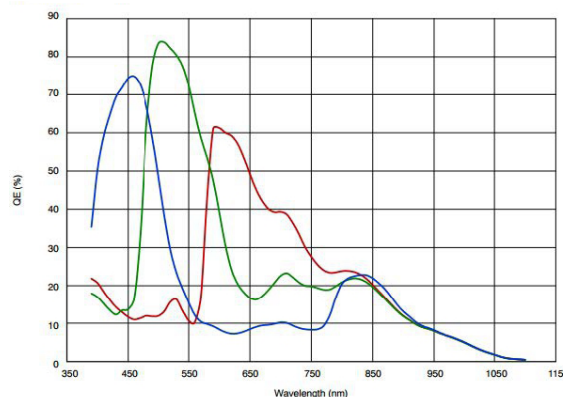
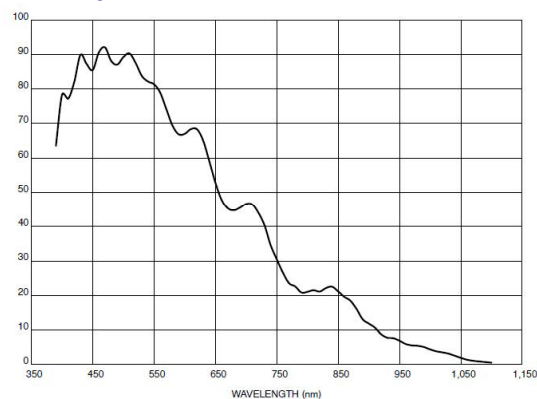
- 5MP @24 fps
- Adopts GigE interface and max. transmission distance of 100 meters without relay
- Compatible with GigE Vision Protocol, GenICam Standard, and the third-party software based on these protocol and standard.
- Support Windows、Linux
- Up to 128 MB local memory for burst transmission and retransmission



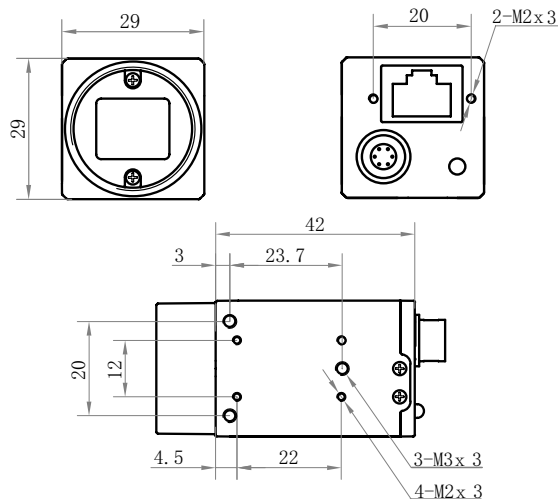
Applied range • Defect Detection • Surface Patch Detection • Visual Positioning • Size Measuring • QR Code Reading • VR/AR • Logistics

| Camera | LEO 5000A-24gm/gc |
|----------------------------|---|
| Resolution [H*V] | 2592 × 1944 |
| Sensor | Aptina AR0521 |
| Sensor Size | 1/2.5" |
| Sensor Technology | Rolling, CMOS |
| Pixel Size [μm] | 2.2 × 2.2 |
| Frame Rate [fps] | 24 |
| Data Bit | 8bit / 10bit / 12bit |
| Exposure Time | 21μs~1s |
| Dynamic Range | 63dB |
| Mono/Color | Mono/Color |
| Image Format | Monochrome: Mono8/10/10p/12/12p Color: Mono 8/10/12,Bayer GB 8/10/10p/12/12p, YUV422Packed,YUV422_YUYV_Packed,RGB 8,BGR 8 |
| Interface | GigE |
| Synchronization | Via hardware trigger、software trigger or free run mode |
| Programmable Control [ISP] | Image resolution、RGB gain、Exposure time、Contrast ratio、Gamma form、Image rollovers、Raw、LUT、Black level correction |
| Housing Size [l*w*h] | 29.0 × 29.0 × 42.0 mm (65g) |
| Operating Temperature | -30~70 ° C (Storage), 0~50° C (Working) |
| Lenses Mount | C-Mount |
| Digital I/O | Opto-isolated input x 1, opto-isolated output x 1, and bi-directional custom non-isolated I/O x 1 |
| Power Input | DC 9-24V, Supporting PoE |
| Power Consumption | 12V @<2.5W |
| Driver | LEO Series Camera Software Suite (iDatum) or 3rd party GigE Vision Software |
| Operating System | Windows, Linux |
| Conformity | GigE Vision, GenICam |

Spectral Response



Dimensions



No.8, Xiyuan 9th Road West Lake District, Hangzhou 310030 China
 Tel: 86-571-89712238 Web: www.contrastech.com
 Email: market@contrastech.com