

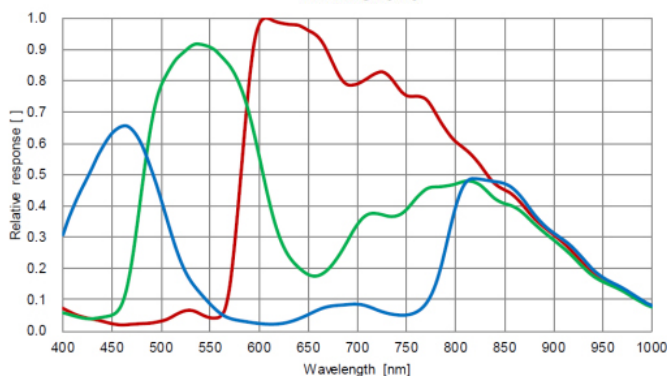
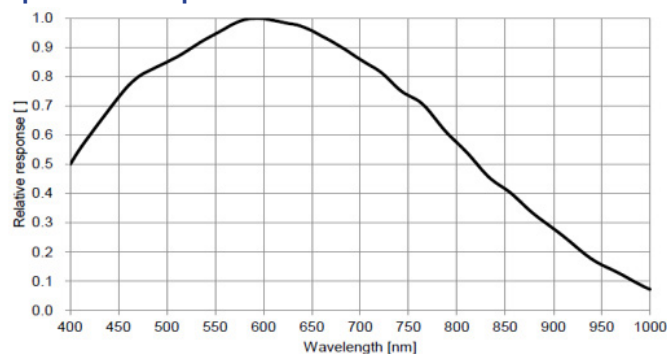
- 1.6MP @65.8 fps
- Adopts GigE interface and max. transmission distance of 100 meters without relay
- Compatible with GigE Vision Protocol, GenICam Standard, and the third-party software based on these protocol and standard
- Support Windows、Linux
- Support WDR, Denoise, Sharp and other ISP functions



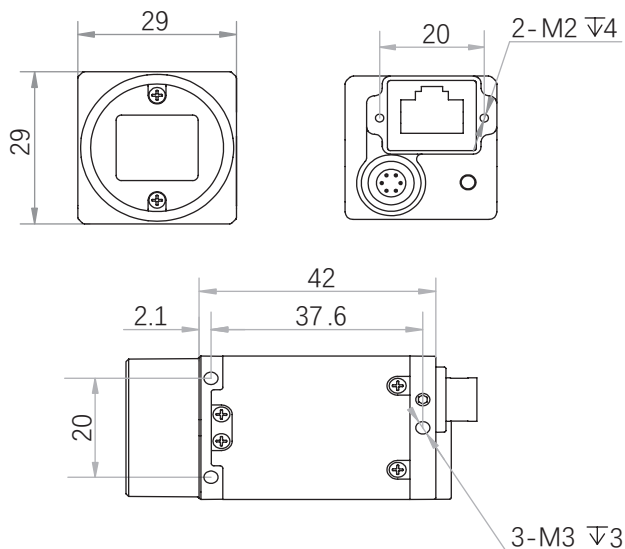
**Applied range** • Defect Detection • Surface Patch Detection • Visual Positioning • Size Measuring • QR Code Reading • VR/AR • Logistics

Camera	LEO 1440S-65gm/gc-HR
Resolution [H*V]	1440 × 1080
Sensor	Sony IMX296
Sensor Size	1/2.9"
Sensor Technology	Global, CMOS
Pixel Size [μm]	3.45 × 3.45
Frame Rate [fps]	65.8
Data Bit	8/10/12 bit
Exposure Time	1μs~10s
Dynamic Range	74dB
Mono/Color	Mono/Color
Image Format	Mono:Mono 8/10/10Packed/12/12Packed Color:Bayer RG 8/10/10Packed/12/12Packed
Interface	GigE
Synchronization	Via hardware trigger、software trigger or free run mode
Programmable Control [ISP]	Image resolution、RGB gain、Exposure time、Contrast、Gamma form、Image rollovers、Raw、LUT、Black level correction
Housing Size [l*w*h]	29.0 × 29.0 × 42.0 mm (76g)
Operating Temperature	-30~70 ° C (Storage), 0~50° C (Working)
Lenses Mount	C-Mount
Digital I/O	Opto-isolated input x 1, opto-isolated output x 1, and bi-directional custom non-isolated I/O x 1
Power Input	DC 9-24V, Supporting PoE
Power Consumption	12V @2W
Driver	LEO Series Camera Software Suite (iDatum) or 3rd party GigE Vision Software
Operating System	Windows, Linux
Conformity	GigE Vision, GenICam

### Spectral Response



### Dimensions



No.8, Xiyuan 9th Road West Lake District, Hangzhou 310030 China  
 Tel: 86-571-89712238 Web: www.contrastech.com  
 Email: market@contrastech.com