

### DM-W160S-MxxGF-SxST\*\*

- 1.6MP @Max. reading speed 45 codes/sec
- Red/white/blue light optional, orange LED aiming
- Solid-state high speed focus adjustment
- Adopts Solid-state focus adjustment and can be triggered via the side button
- IP65 protection

**Applied range** • 3C • Lithium • Tobacco • Pharmaceutical • Photovoltaic • automobile, etc.

Symbologies	<ul style="list-style-type: none"> <li>• 1-dimensional codes: Code 39, Code 93, Code 128, ITF 14, ITF 25, CodaBar, EAN, UPCA, UPCE</li> <li>• 2-dimensional codes: QR Code, Data Matrix</li> </ul>
Communication protocol	SmartSDK, TCP Client, Serial, FTP, TCP Server, Melsec/SLMP, Modbus, FINS, UDP

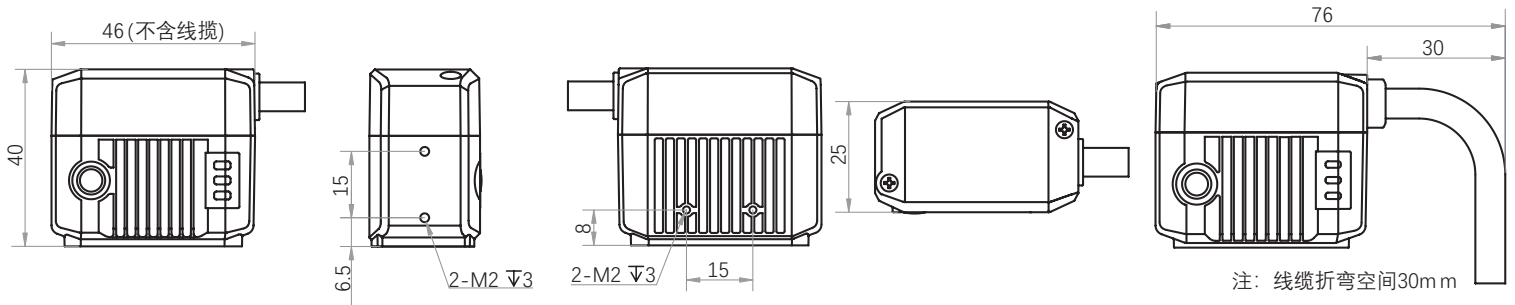
Model	DM-W160S-MxxGF-SxST**		
Resolution	1408 × 1024		
Max. frame rate[fps]	60		
Max. reading speed	45 codes/sec		
Sensor type	CMOS, Global Shutter		
Pixel size [μm]	3.45 × 3.45		
Sensor size	1/2.9"		
Exposure time	16μs~2.5s		
Gain	0 ~ 40 dB		
Mono/color	Mono		
Data interface	Fast Ethernet (100Mbit/s)		
Focal length**	6mm	10mm	16mm
Lens mount	M12-Mount		
Working distance	70 ~ 160 mm	95 ~ 400 mm	100 ~ 400 mm
Ambient illumination	0 ~ 50000 lux		
Light source*	Red/white/blue light optional		
Aiming system	Orange LED		
Digital I/O	Device trigger via pressing button on side supported. 17-pin M12 connector provides power and I/O: none-isolated input × 1, none-isolated output × 1, configurable bi-directional none-isolated I/O × 2, RS-232 × 1.		
Power Input	12 ~ 24V		
Power Consumption	12V @11W		
Housing Size	46 mm × 40 mm × 25 mm (135g)		
Operating Temperature	-30~70 ° C (Storage), 0~50° C ( Working )		
Driver	DM-Datum		

\*\*: xx is available in different focal lengths in the model.

\*\*x is a different color for the light source.

**Note:** During the operation of this product, looking directly at this product may cause harm to the eyes, and protective measures such as protective glasses should be worn during operation.

### Dimensions:



**Note:** During the operation of this product, looking directly at this product may cause harm to the eyes, and protective measures such as protective glasses should be worn during operation.

