

DM-J300U-M16LF-SRST

- 3.1MP @Max. reading speed 90 codes/sec
- Adopts CMOS sensor to acquire image data and provide high-quality image.
- Built-in deep learning algorithm
- Rotatable tail outlet design, flexible adaptation to installation space
- IP67 protection



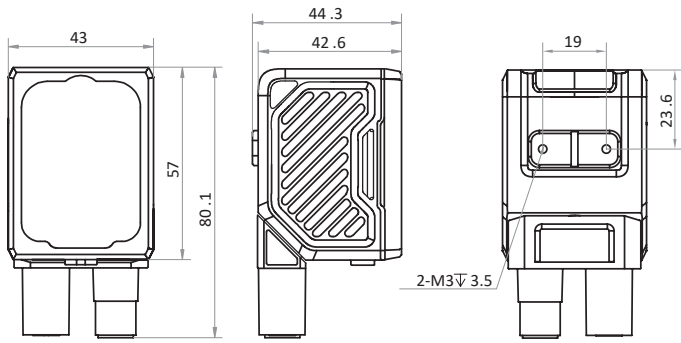
Applied range • 3C • Lithium • Tobacco • Pharmaceutical • Photovoltaic • automobile, etc.

Symbologies	<ul style="list-style-type: none"> • 1-dimensional codes: Code 39, Code 93, Code 128, CodaBar, EAN8, EAN13, ITF25, ITF14, MATRIX25, UPCA, UPCE, MSI, CODE11, INDUSTRIAL25, CHINAPOST, PHARMACODE • 2-dimensional codes: QR Code, Data Matrix, Micro QR • Stacked codes: PDF417
Communication protocol	SmartSDK, TCP Client, Serial, FTP, TCP Server, Melsec/SLMP, Modbus, FINS, UDP

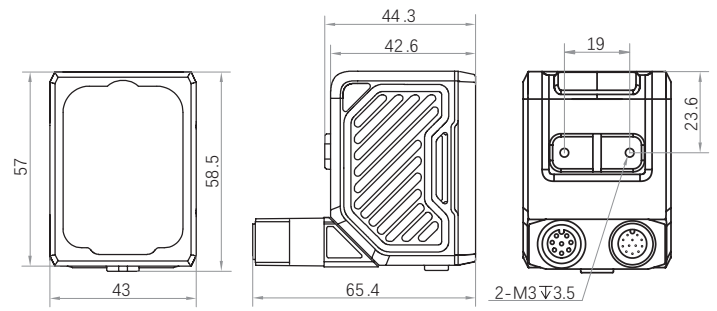
Model	DM-J300U-M16LF-SRST
Resolution	2048 × 1536
Max. frame rate[fps]	60
Max. reading speed	90 codes/sec
Sensor type	CMOS, Global Shutter
Pixel size [μm]	3.45 × 3.45
Sensor size	1/1.8"
Exposure time	6μs~30000μs
Gain	0 ~ 24 dB
Mono/color	Mono
Data interface	Fast Ethernet (100Mbit/s)
Focal length	16 mm
Lens mount	M12-Mount, Liquid Focus
Lens cap	Transparent + Polarization + Diffusion lens cap.
Light source	Spotlight red light and white diffuse light Spotlight white/blue/IR, is optional
Aiming system	Orange LED
Digital I/O	Device trigger via pressing button on top supported. 12-pin M12 connector provides power and I/O: Opto-isolated input x 3, opto-isolated output x 3, RS232 x 1
Power Input	DC 24V
Power Consumption	24V @6.2W
Housing Size	Straight angle: 80.1 mm × 43 mm × 44.3 mm Right angle: 58.5 mm × 43 mm × 65.4 mm (195g)
Operating Temperature	-30~70 ° C (Storage), 0~45° C (Working)
Driver	DM-Datum

Note: During the operation of this product, looking directly at this product may cause harm to the eyes, and protective measures such as protective glasses should be worn during operation.

Dimensions: (straight angle)



Dimensions: (right angle)



Detection Range

Lens Focal Length	Working Distance (mm)	FoV (mm)		1D Single Pixel Accuracy	2D Single Pixel Accuracy
		H	V		
16mm	60	27.6	20.7	0.013	0.040
	150	64.7	48.5	0.032	0.095
	300	125.1	93.8	0.061	0.183
	600	247.3	185.5	0.121	0.362
	1000	407.3	296.2	0.199	0.579
	2000	814.5	592.4	0.398	1.157

Note: During the operation of this product, looking directly at this product may cause harm to the eyes, and protective measures such as protective glasses should be worn during operation.

