

DM-J160U-MxxAF-SRST

- 1.6MP @Max. reading speed 110 codes/sec
- Adopts CMOS sensor to acquire image data and provide high-quality image.
- Built-in deep learning algorithm
- Rotatable tail outlet design, flexible adaptation to installation space
- IP67 protection



Applied range • 3C • Lithium • Tobacco • Pharmaceutical • Photovoltaic • automobile, etc.

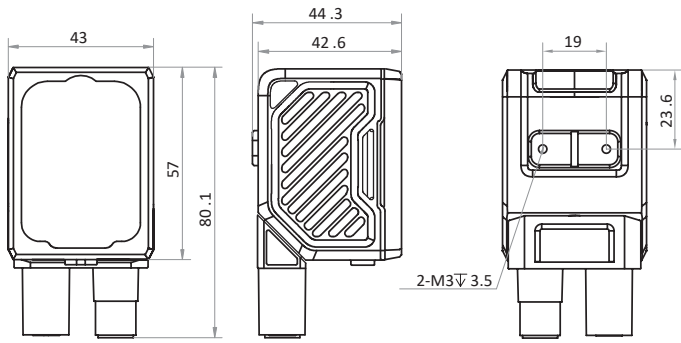
Symbologies	<ul style="list-style-type: none"> • 1-dimensional codes: Code 39, Code 93, Code 128, CodaBar, EAN8, EAN13, ITF25, ITF14, MATRIX25, UPCA, UPCE, MSI, CODE11, INDUSTRIAL25, CHINAPOST, PHARMACODE • 2-dimensional codes: QR Code, Data Matrix, Micro QR • Stacked codes: PDF417
Communication protocol	SmartSDK, TCP Client, Serial, FTP, TCP Server, Melsec/SLMP, Modbus, FINS, UDP

Model	DM-J160U-MxxAF-SRST **		
Resolution	1408 × 1024		
Max. frame rate[fps]	60		
Max. reading speed	110 codes/sec		
Sensor type	CMOS, Global Shutter		
Pixel size [μm]	3.45 × 3.45		
Sensor size	1/2.9"		
Exposure time	6μs~30000μs		
Gain	0 ~ 24 dB		
Mono/color	Mono		
Data interface	Fast Ethernet (100Mbit/s)		
Focal length**	8mm	12 mm	25 mm
Lens mount	M12-Mount, mechanical autofocus		
Lens cap	Transparent + Polarization + Diffusion lens cap.		
Light source	Spotlight red light and white diffuse light Spotlight white/blue/IR, is optional		
Aiming system	Orange LED		
Digital I/O	Device trigger via pressing button on top supported. 12-pin M12 connector provides power and I/O: Opto-isolated input x 3, opto-isolated output x 3, RS232 x 1		
Power Input	DC 24V		
Power Consumption	24V @6.2W		
Housing Size	Straight angle: 80.1 mm × 43 mm × 44.3 mm Right angle: 58.5 mm × 43 mm × 65.4 mm (195g)		
Operating Temperature	-30~70 ° C (Storage), 0~50° C (Working)		
Driver	DM-Datum		

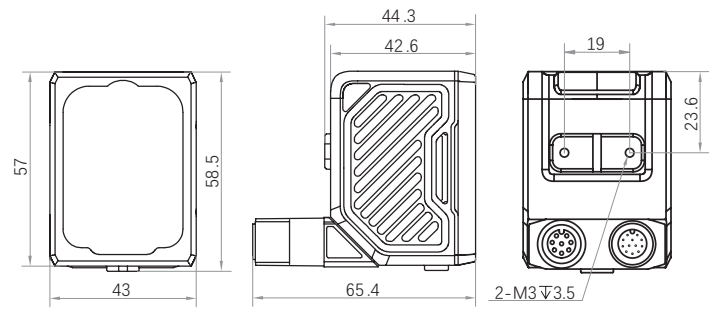
**: xx is available in different focal lengths in the model.

Note: During the operation of this product, looking directly at this product may cause harm to the eyes, and protective measures such as protective glasses should be worn during operation.

Dimensions: (straight angle)



Dimensions: (right angle)



Detection Range

Lens Focal Length	Working Distance (mm)	FoV (mm)		1D Single Pixel Accuracy	2D Single Pixel Accuracy
		H	V		
8mm	25	15.3	11.1	0.011	0.032
	100	61.1	44.3	0.043	0.130
	300	183.4	133	0.13	0.390
	600	366.9	266	0.261	0.779
	1000	611.5	443.4	0.4	1.3
	2000	1222.9	886.8	0.9	2.6
12mm	60	24.4	17.9	0.017	0.053
	100	40.7	29.9	0.029	0.088
	300	122.1	89.7	0.087	0.263
	600	244.1	179.3	0.173	0.525
	1000	406.9	298.9	0.3	0.9
	2000	813.8	597.8	0.6	1.8
25mm	230	44.3	32.2	0.031	0.094
	300	57.8	42	0.041	0.123
	500	96.3	69.9	0.068	0.205
	1000	192.6	139.9	0.1	0.4
	2000	385.2	279.7	0.3	0.8

Note: During the operation of this product, looking directly at this product may cause harm to the eyes, and protective measures such as protective glasses should be worn during operation.

