



LEO 25MG-150xm/xc

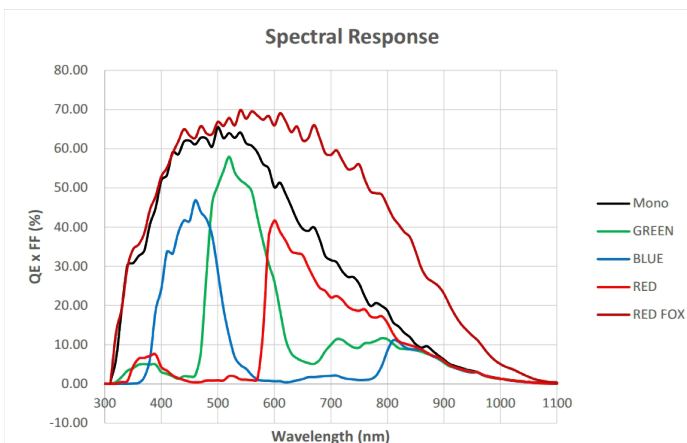
- 25MP resolution @150 fps
- Adopts CXP-12 interface to transmit data
- Global shutter CMOS, high dynamic range, good signal-to-noise ratio, excellent image quality
- Compatible with CoaXPRESS Protocol, GenICam Standard, and the third-party software based on these protocol and standard
- Support Windows



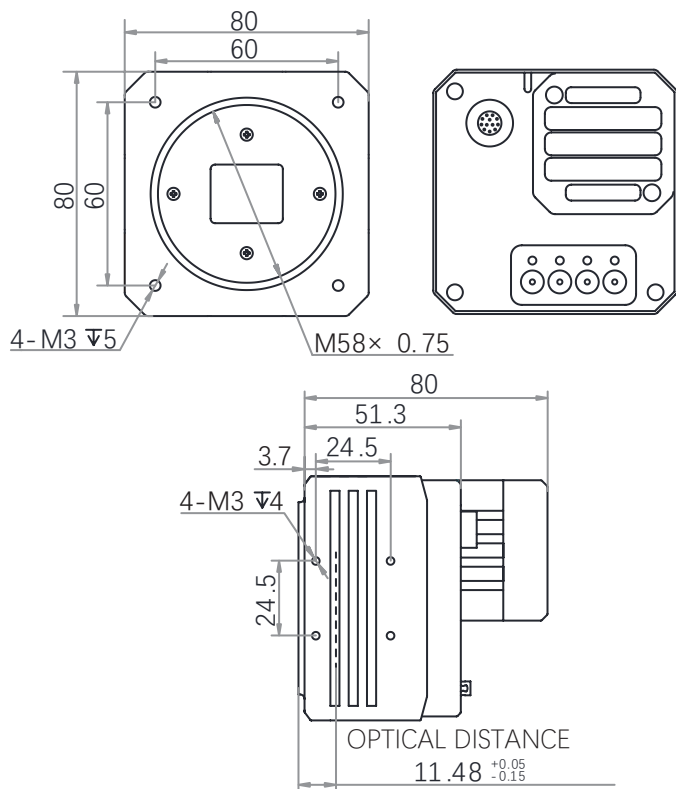
Applied range • Defect Detection • Surface Patch Detection • Visual Positioning • Size Measuring • QR Code Reading • VR/AR • Logistics

Camera	LEO 25MG-150xm/xc
Resolution [H*V]	5120 × 5120
Sensor	Gpixel GMAX0505
Sensor Size	1.1"
Sensor Technology	Global, CMOS
Pixel Pize [μm]	2.5 × 2.5
Rrame Rate [fps]	150
Data Bit	8bit / 10bit / 12bit
Exposure Time	13 μs ~10s
Dynamic Range	63dB
Mono/Color	Mono / Color
Image Format	Mono: Mono 8/10/12 Color: Bayer 8/10/12
Interface	CoaXPRESS (Micro-BNC port)
Synchronization	Via hardware trigger、software trigger or free run mode
Programmable Control [ISP]	Image resolution、RGB Gain、 Exposure time、 Contrast ratio、 Gamma form、 Image rollovers、 Raw、 LUT、 Black level correction
Housing Size [l*w*h]	80.0 × 80.0 × 80.0 mm (540g)
Operating Temperature	-30~70 ° C (Storage), 0~50° C (Working)
Lenses Mount	M58, BFL 11.48 mm
Digital I/O	Opto-isolated input x 1, opto-isolated output x 1, bi-directional custom non-isolated I/O x 1, RS232 x 1
Power Input	DC 12-24V, PoCXP (CXP-0 and CXP-1 interface)
Power Consumption	12V @13.7W
Driver	iDatum or Frame Grabber Software Compliant With CoaXPRESS Protocol
Operating System	Windows
Conformity	CoaXPRESS, GenICam

Spectral Response



Dimensions



No.8, Xiyuan 9th Road West Lake District, Hangzhou 310030 China
 Tel: 86-571-89712238 Web: www.contrastech.com
 Email: market@contrastech.com

