



LEO 5000S-140cm/cc

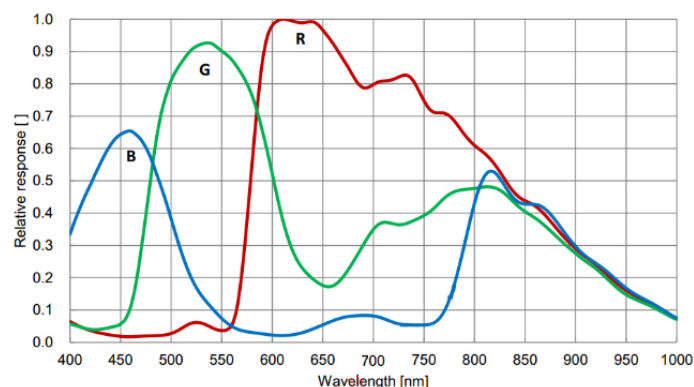
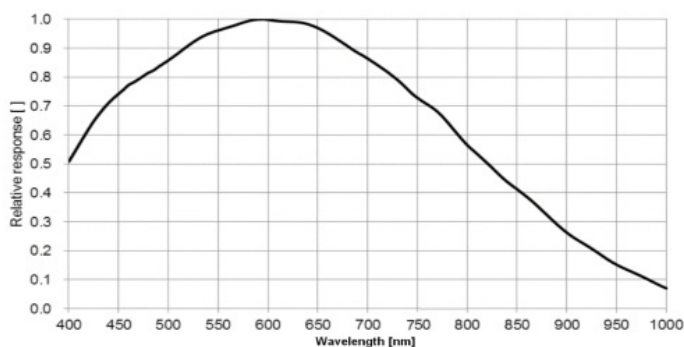
- 5MP resolution @140 fps
- Adopts CameraLink interface to transmit data
- Supports four configuration modes: Base, Medium, Full and 80-bit
- Compatible with CameraLink Vision Protocol, GenICam Standard, and the third-party software based on these protocol and standard
- Support Windows



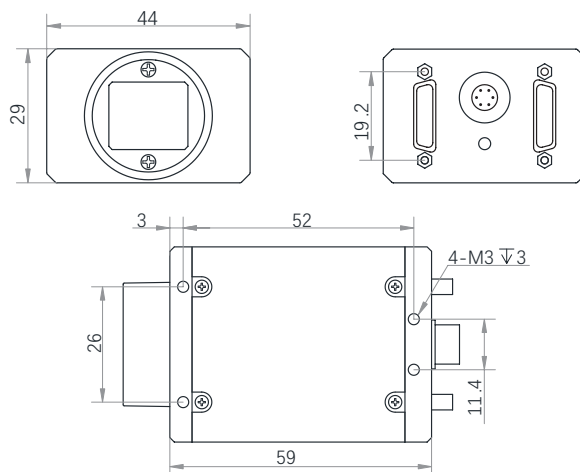
**Applied range** • Defect Detection • Surface Patch Detection • Visual Positioning • Size Measuring • QR Code Reading • VR/AR • Logistics

Camera	LEO 5000S-140cm/cc
Resolution [H*V]	2432 × 2048
Sensor	Sony IMX250
Sensor Size	2/3"
Sensor Technology	Global, CMOS
Pixel Pize [μm]	3.45 × 3.45
Rframe Rate [fps]	140
Configuration mode	Base / Medium / Full / 80-bit
Taps	2 / 4 / 8 / 10 Taps
Data Bit	8bit / 10bit / 12bit
Exposure Time	Monochrome: 15μs~10s Color: 4μs~10s
Dynamic Range	>75dB
Mono/Color	Mono/Color
Image Format	Monochrome: Mono8/10/12 Color: Bayer RG 8/10/12,RGB8
Interface	Camera Link (SDR port)
Synchronization	Via hardware trigger, software trigger or free run mode
Programmable Control [ISP]	Image resolution, RGB gain, Exposure time, Contrast ratio, Gamma form, Image rollovers, Raw, LUT, Black level correction
Housing Size [l*w*h]	29 × 44 × 59 mm (100g)
Operating Temperature	-30~70 ° C (Storage), 0~50° C (Working)
Lenses Mount	C-Mount
Digital I/O	Opto-isolated input x 1, opto-isolated output x 1, and bi-directional non-isolated I/O x 1
Power Input	DC 9-24V
Power Consumption	12V @3.25W
Driver	LEO Series Camera Software Suite (iDatum) or Frame Grabber Software Compliant With GenICam Protocol
Operating System	Windows
Conformity	Camera Link,GenICam

### Spectral Response



### Dimensions



No.8, Xiyuan 9th Road West Lake District, Hangzhou 310030 China  
Tel: 86-571-89712238 Web: [www.contrastech.com](http://www.contrastech.com)  
Email: [market@contrastech.com](mailto:market@contrastech.com)

