



### LEO 12MS-23cm

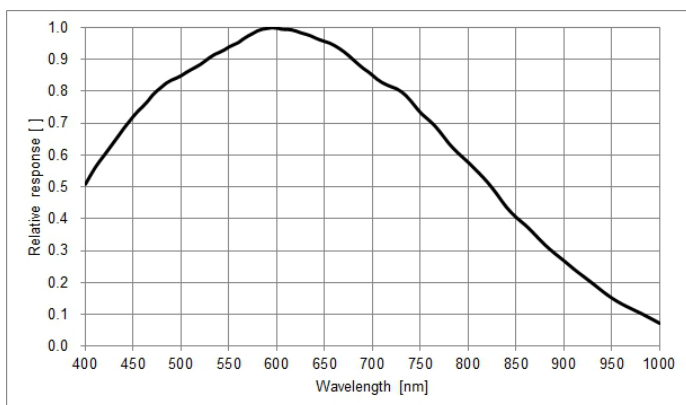
- 12MP resolution @23.4 fps
- Adopts CameraLink interface to transmit data
- Supports two configuration modes: Base and Medium
- Compatible with CameraLink Vision Protocol, GenICam Standard, and the third-party software based on these protocol and standard
- Support Windows



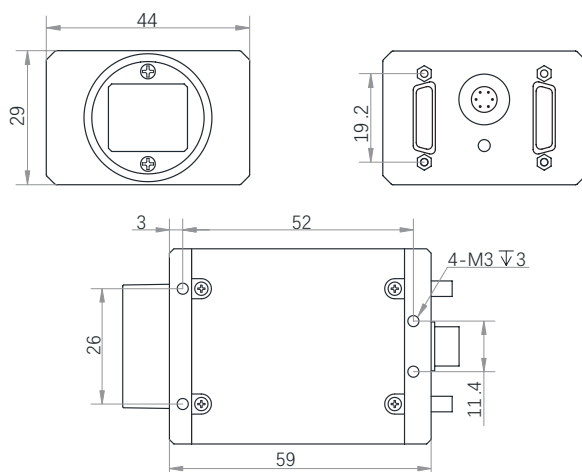
**Applied range** • Defect Detection • Surface Patch Detection • Visual Positioning • Size Measuring • QR Code Reading • VR/AR • Logistics

Camera	LEO 12MS-23cm
Resolution [H*V]	4096 × 3000
Sensor	Sony IMX304
Sensor Size	1.1"
Sensor Technology	Global, CMOS
Pixel Pize [μm]	3.45 × 3.45
Rrame Rate [fps]	23.4 fps
Configuration mode	Base / Medium
Taps	2 / 4 Taps
Data Bit	8bit / 10bit / 12bit
Exposure Time	15μs~10s
Dynamic Range	>72dB
Mono/Color	Mono
Image Format	Mono8/10/12
Interface	Camera Link (SDR port)
Synchronization	Via hardware trigger、software trigger or free run mode
Programmable Control [ISP]	Image resolution、Exposure time、 Contrast ratio、 Gamma form、 Image rollovers、 Raw、 LUT、 Black level correction
Housing Size [l*w*h]	29 × 44 × 59 mm (100g)
Operating Temperature	-30~70 ° C (Storage), 0~50° C (Working)
Lenses Mount	C-Mount
Digital I/O	Opto-isolated input x 1, opto-isolated output x 1, and bi-directional non-isolated I/O x 1
Power Input	DC 9-24V
Power Consumption	12V @3.48W
Driver	LEO Series Camera Software Suite (iDatum) or Frame Grabber Software Compliant With GenICam Protocol
Operating System	Windows
Conformity	Camera Link,GenICam

### Spectral Response



### Dimensions



No.8, Xiyuan 9th Road West Lake District, Hangzhou 310030 China  
 Tel: 86-571-89712238 Web: www.contrastech.com  
 Email: market@contrastech.com

