



### LEO 100MSC-8cm

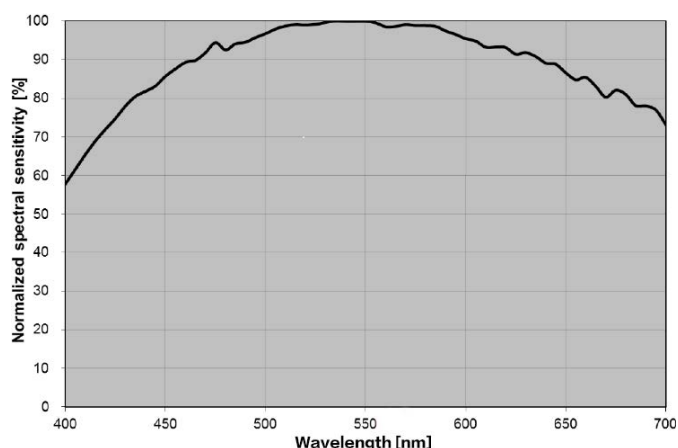
- 101MP @8.1fps
- TEC cooling
- Support Windows
- Supports configuration modes of Base, Medium, Full and 80-bit via the CameraLink interface
- Compatible with CameraLink V2.0 Vision Protocol, GenICam Standard, and the third-party software based on these protocol and standard.



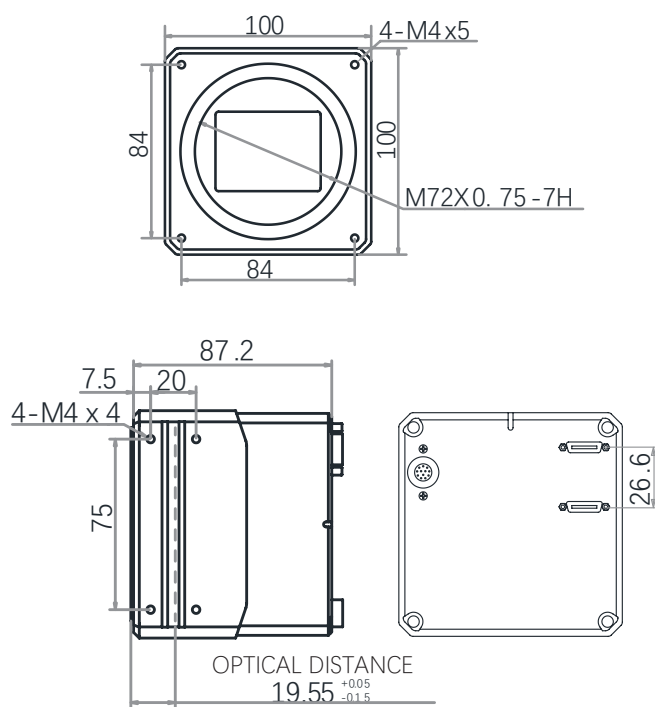
**Applied range** • Defect Detection • Surface Patch Detection • Visual Positioning • Size Measuring • QR Code Reading • VR/AR • Logistics

Camera	LEO 100MSC-8cm
Resolution [H*V]	11520 × 8740
Sensor	Sony IM461
Sensor Size	55 mm
Sensor Technology	Rolling, CMOS
Pixel Size [μm]	3.76 × 3.76
Frame Rate [fps]	8.1
Configuration Mode	Base, Medium, Full, 80-bit
Taps	2/4/8/10 Taps
Pixel Clock	85 MHz, 70 MHz, 60 MHz, 40 MHz
Exposure Time	14μs~10s
Dynamic Range	78dB
Mono/Color	Mono
Image Format	ADC 12bit mode: Mono 8/10/12; ADC 16bit mode: Mono 8/10/12/16
Interface	Camera Link (SDR interface)
Programmable Control [ISP]	Image resolution、Exposure time、 Contrast ratio、 Gamma form、 Image rollovers、 Raw、 LUT、 Black level correction
Housing Size [l*w*h]	100.0 × 100.0 × 87.2 mm (1.7kg)
Operating Temperature	-30~70 ° C (Storage), 0~50° C (Working)
Lenses Mount	M72*0.75, BFL 19.55 mm
Digital I/O	Opto-isolated input x 1, opto-isolated output x 1, bi-directional custom non-isolated I/O x 1, and RS232 x 1
Power Input	DC 24V
Power Consumption	TEC uncooled: 24V @14W TEC cooling: 24V @48W
Driver	LEO Series Camera Software Suite (iDatum) or Frame Grabber software conforming to GenICam protocol
Operating System	Windows
Conformity	Camera Link Vision, GenICam

### Spectral Response



### Dimensions



No.8, Xiyuan 9th Road West Lake District, Hangzhou 310030 China  
 Tel: 86-571-89712238 Web: www.contrastech.com  
 Email: market@contrastech.com