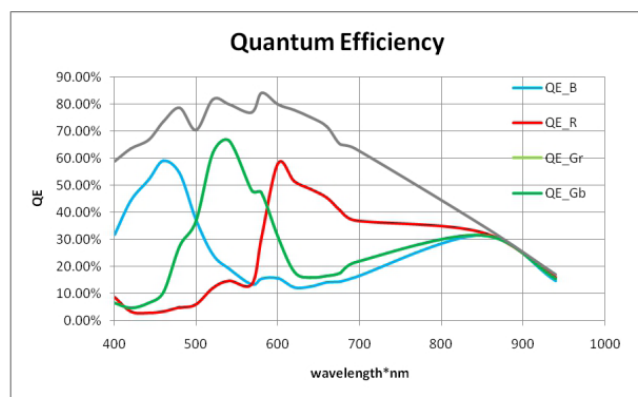


- 1.3MP resolution @170 fps
- USB 3.0 interface with plug and play capability, USB3.0 power supply
- Compatible with USB3 Vision Protocol, GenICam Standard, and the third-party software based on these protocol and standard.
- Support Windows and Linux

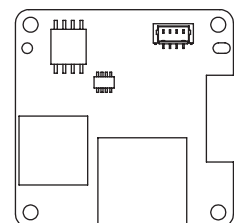
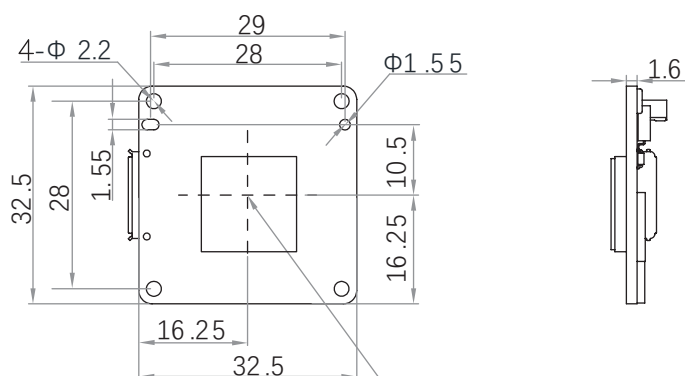
Applied range • Defect Detection • Surface Patch Detection • Visual Positioning • Size Measuring • QR Code Reading • VR/AR • Logistics

| Camera | LEO 1300P-170um/uc-BL |
|----------------------------|---|
| Resolution [H*V] | 1280 × 1024 |
| Sensor | ON Semiconductor PYTHON 1300 |
| Sensor Size | 1/2" |
| Sensor Technology | Global, CMOS |
| Pixel Size [μm] | 4.8 × 4.8 |
| Frame Rate [fps] | 170 |
| Data Bit | 8bit / 10bit / 12bit |
| Exposure Time | Monochrome: 40μs~10s Color: 65μs~10s |
| Dynamic Range | 59.6dB |
| Mono/Color | Mono/Color |
| Image Format | Monochrome: Mono8/10/10p/12/12p Color: Mono 8/10/12 Bayer RG 8/10/10p/12/12p, YUV422Packed,YUV422_YUYV_Packed,RGB 8 |
| Interface | USB 3.0 |
| Synchronization | Via hardware trigger、software trigger or free run mode |
| Programmable Control [ISP] | Image resolution、RGB gain、Exposure time、Contrast ratio、Gamma form、Image rollovers、Raw、LUT、Black level correction |
| Housing Size [l*w*h] | 32.5 × 32.5 × 1.6 mm (10g) |
| Operating Temperature | -30~70 ° C (Storage), 0~50° C (Working) |
| Lenses Mount | / |
| Digital I/O | bi-directional custom non-isolated I/O x 2 |
| Power Input | Supporting USB3.0 |
| Power Consumption | 5V @<2.3W |
| Driver | LEO Series Camera Software Suite (iDatum) or 3rd party USB3 Vision Software |
| Operating System | Windows, Linux |
| Conformity | USB3 Vision, GenICam |

Spectral Response



Dimensions



No.8, Xiyuan 9th Road West Lake District, Hangzhou 310030 China
Tel: 86-571-89712238 Web: www.contrastech.com
Email: market@contrastech.com