

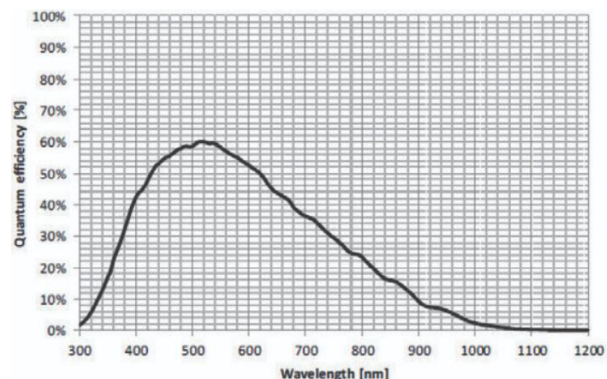
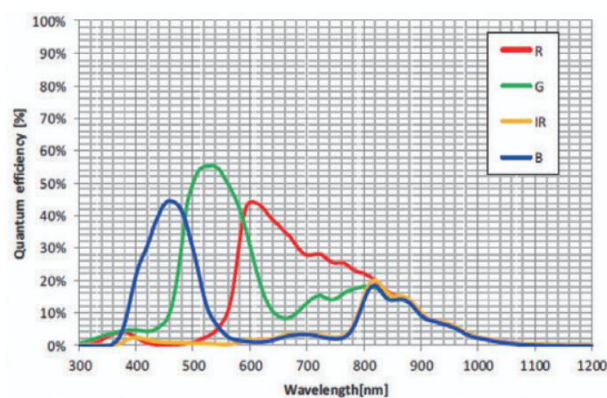
- Support custom ROI, lower resolution can increase frame rate
- Global exposure, programmable gain and exposure time
- Can output image data in multiple formats: RAW8/RAW12
- Support horizontal mirroring and vertical mirroring function
- Support optical coupling isolation external trigger, signal filtering, light source synchronization control
- Provide user data area, save algorithm parameters, configuration, etc.



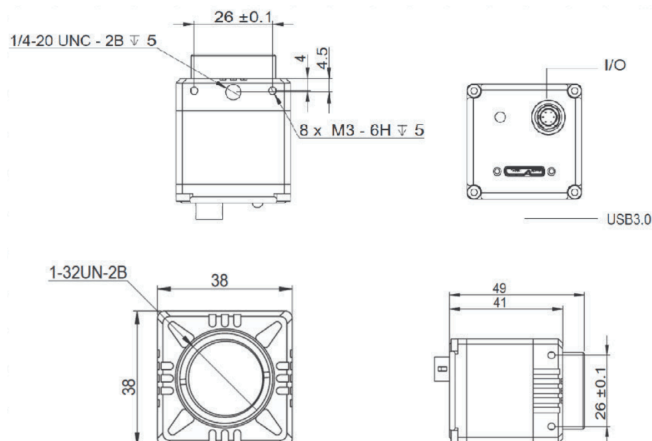
Applied range • Defect D etection • Mounter • Positioning • Code reading • VR/AR • Logistics Industry, etc.

Camera	GAL-5000-60um/uc/ucNIR		
Resolution	5MP		
Max Resolution [H*V]	2592 x 2056		
Sensor	CMOS		
Pixel Pize [μm]	3.4 μm x 3.4 μm		
Sensor Size	2/3"		
Mono/Color	Mono	Color	Color+NIR
Shutter Mode	Global Shutter		
Frame rate	60fps		
Data Bit	8 / 12 bits		
Dynamic Range	>72 dB		
Interface	USB 3.0		
Internal storage	128Mbytes DDR3		
Housing Size [l*w*h]	38 mm×38 mm×49 mm		
Working Temperature	0~60° C		
Lenses Mount	C-Mount		
Digital I/O	The 6-pin Hirose connector provides I/O		
Operating System	Windows		
Conformity	USB3 Vision, GenICam		

Spectral Response



Dimensions



Pixel color arrangement



No.8, Xiyuan 9th Road West Lake District, Hangzhou 310030 China
 Tel: 86-571-89712238
 Web: www.contrastech.com
 Email: market@contrastech.com