



iBoost Series

SWIR Industrial Cameras



- Excellent Cost Performance Ratio
- High-Performance Ingaas Detectors
- High Sensitivity, Low Noise, Wide Dynamic Range, High Image Quality
- USB3.0 / GigE / CameraLink Optional

SWIR CAMERA



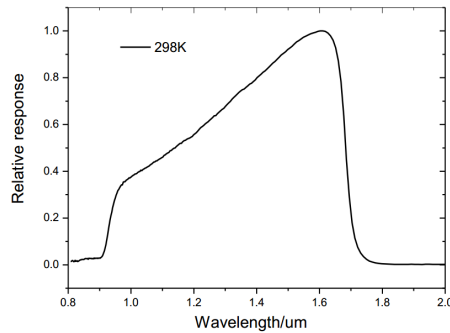
Model No.	Sensor	Resolution (HxV pixels)	Line Rate [KHz]/ Frame Rate [fps]	Pixel Size [μm^2]	Spectral Range	Data Interface	Lens Interface	Type	Product Status
iBoost10CSW05KM	InGaAs	512 × 1	10KHz	25 μm	0.9~1.7 μm	CameraLink	C-Mount	Line Scan	Available
iBoost10GSW05KM	InGaAs	512 × 1	10KHz	25 μm	0.9~1.7 μm	GigE	C-Mount	Line Scan	Available
iBoost20GSW05KM	InGaAs	512 × 1	20KHz	20 μm	0.9~1.7 μm	GigE	C-Mount	Line Scan	Available
iBoost15GSW1KM	InGaAs	1024 × 1	15KHz	12.5 μm	0.9~1.7 μm	GigE	C-Mount	Line Scan	Available
iBoost134CSWC130M	InGaAs	1280 × 1024	134fps	5 μm	0.4-1.7 μm	CameraLink	C-Mount	Area Scan	Available
iBoost134USWC130M	InGaAs	1280 × 1024	134fps	5 μm	0.4-1.7 μm	USB3.0	C-Mount	Area Scan	Available

► Accessories

Product Name	Cable			12pin Hirose	Power Supply
Model No.	VT-CL-3M	VT-NET-3LK(CAB)	VT-USB3-3M(CAB-B)	VT-Hirose12-13-0.5m	VT-GST25A12
Image Reference					

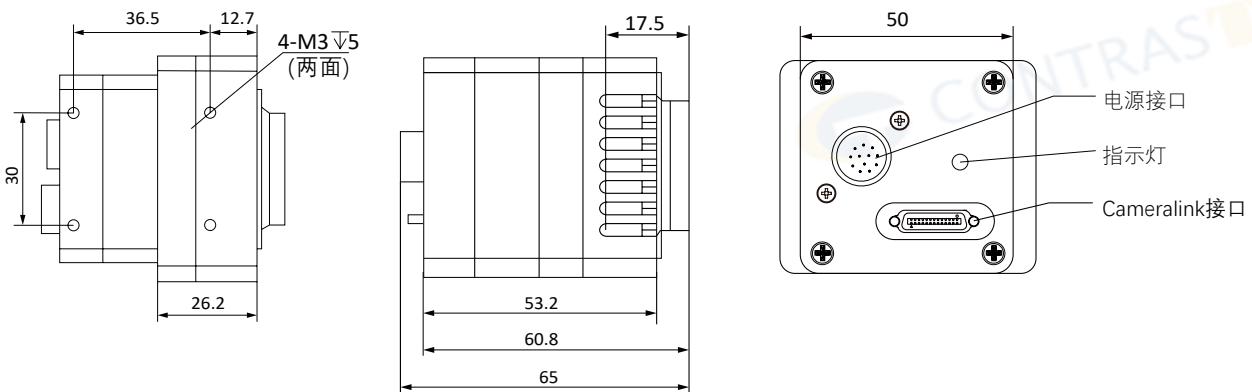
*The pictures are for reference only, and the actual situation is subject to the manufacturer's shipping .

► Spectral Response

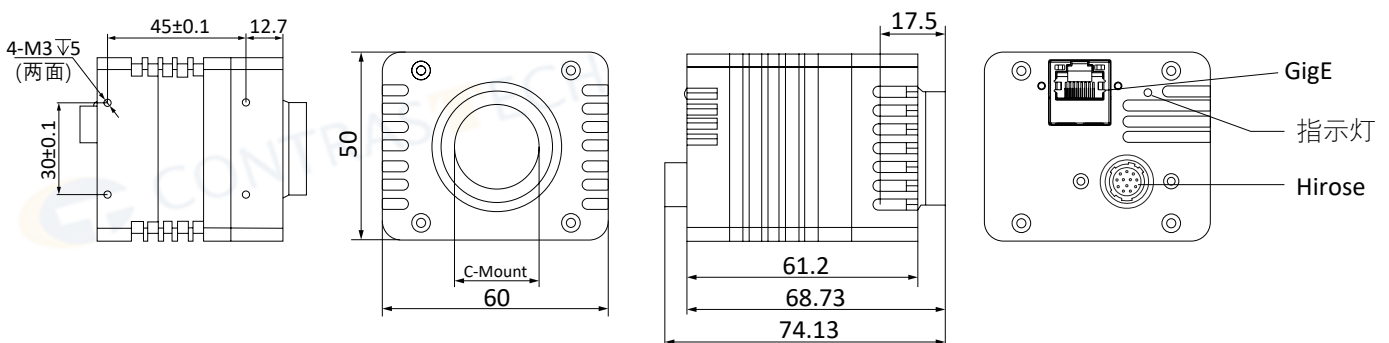


► Dimensions

iBoost10CSW05KM

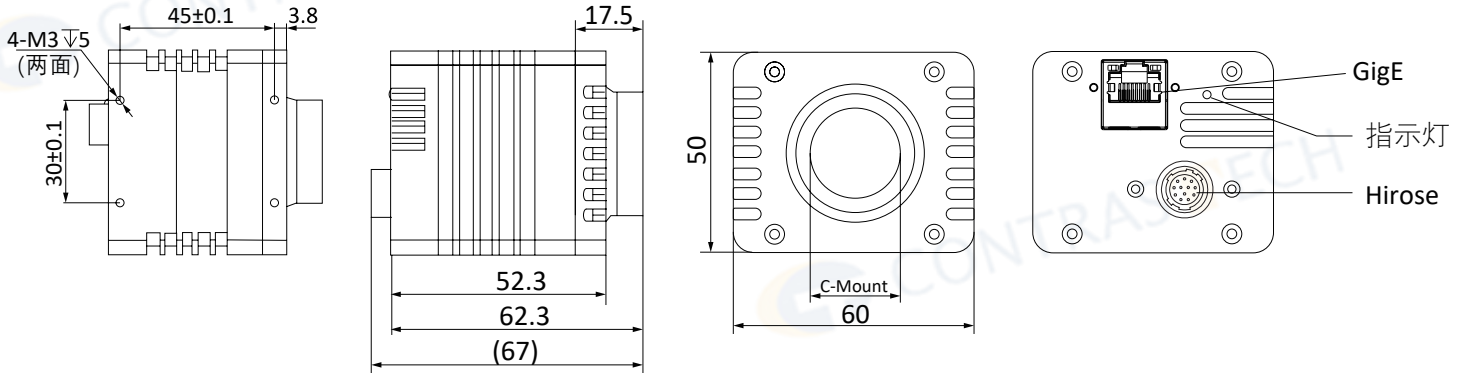


iBoost10GSW05KM / iBoost15GSW1KM

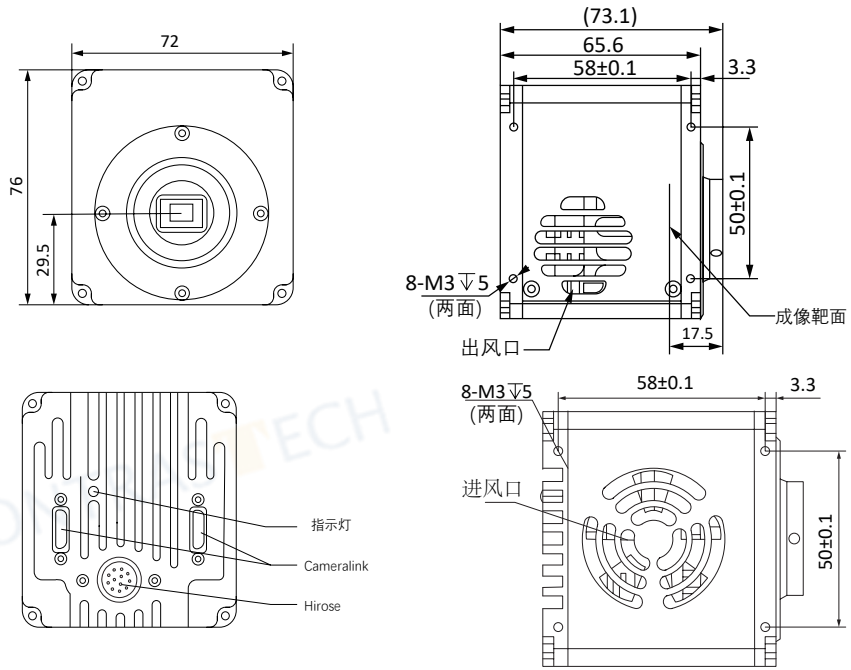


► Dimensions

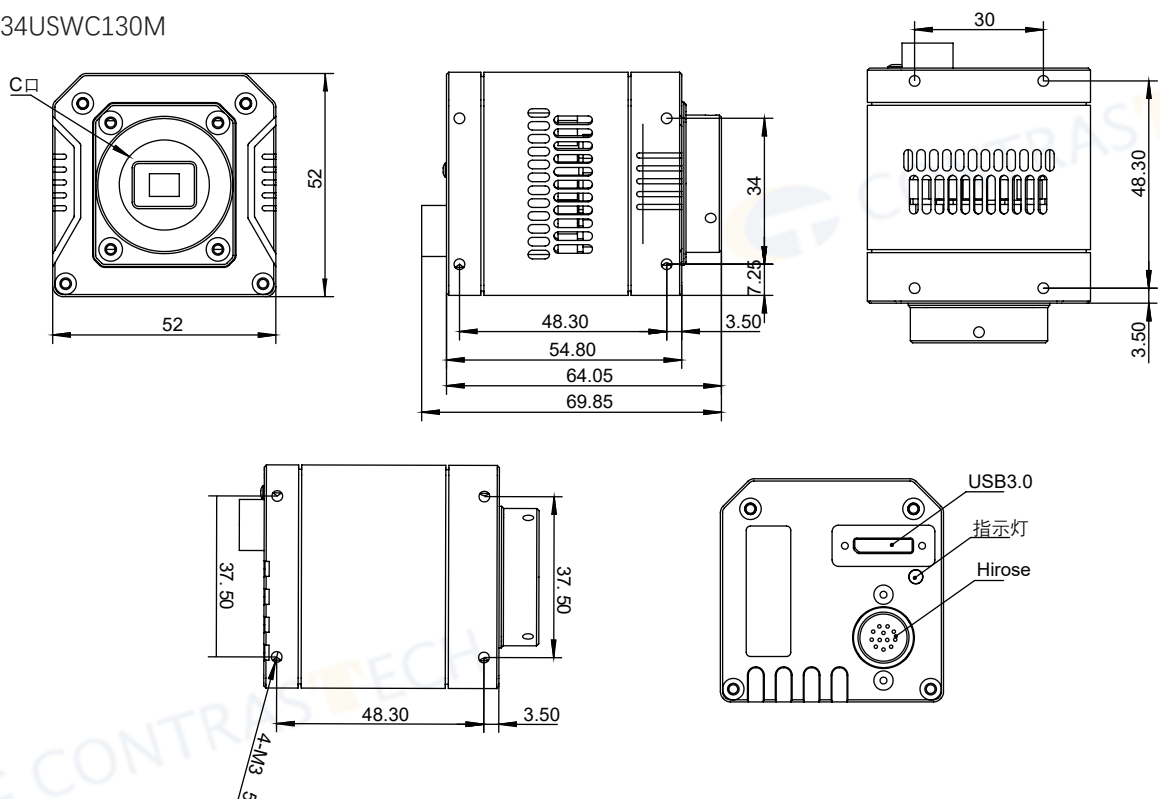
iBoost20GSW05KM



iBoost134CSWC130M



iBoost134USWC130M



Cables (GigE)

ContrasTech's high-quality GigE-compliant cables offer a robust interface for reliable high-speed data transmission. Camera-end locking screws ensure a secure interface despite the shocks and vibrations common to industrial environments. Available in 3, 5 and 10 meter lengths, these cables are a cost-effective solution for your machine vision application.

- GigE standard compliant
- Simple integration into image processing applications
- Camera-end locking screws
- 3, 5 and 10 m lengths available
- Low-cost GigE cable



Product Code	Connects...	To...	Length
VT-NET-3LK(CAB)	RJ45(with locking stud)	RJ45	3M
VT-NET-5LK(CAB)	RJ45(with locking stud)	RJ45	5M
VT-NET-10LK(CAB)	RJ45(with locking stud)	RJ45	10M

Cables (USB3.0)

Ideal for standard imaging applications, ContrasTech offers a selection of USB 3.0 cables. These robust cables feature camera-end locking screws to ensure application stability in industrial environments where shock and vibration are an issue.

- USB3.0 standard compliant
- Simple integration into all image processing applications
- Camera-end locking screws
- Plug and play functionality
- 3, 5 ,10 and 20m lengths available
- Low-cost USB cable



Product Code	Connects...	To...	Length
VT-USB3.0-3M(CAB-B)	USB 3.0 (Type-A)	USB 3.0 (Micro-B) Locking screws	3M
VT-USB3.0-5M-H	USB 3.0 (Type-A)	USB 3.0 (Micro-B) Locking screws	5M
VT-USB3.0-10M/20M-AOC	USB 3.0 (Type-A)	USB 3.0 (Micro-B) Locking screws	10M/20M
VT-USB3-3M(90D-RAU)	USB 3.0 (Type-A)	USB 3.0 (Micro-B) Locking screws	3M

"-H":High Flexibility; "-AOC ":Active Optical Fiber.

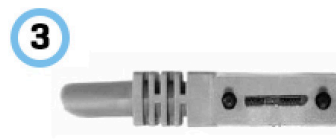
90° USB Cables Schematic Diagram



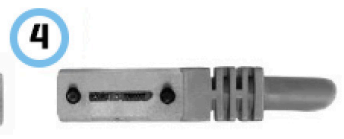
MICRO-B
R/A UP
w/Recessed Screws



MICRO-B
R/A DOWN
w/Recessed Screws



MICRO-B
EXIT RIGHT
w/Recessed Screws



MICRO-B
EXIT LEFT
w/Recessed Screws

Cables (CameraLink)

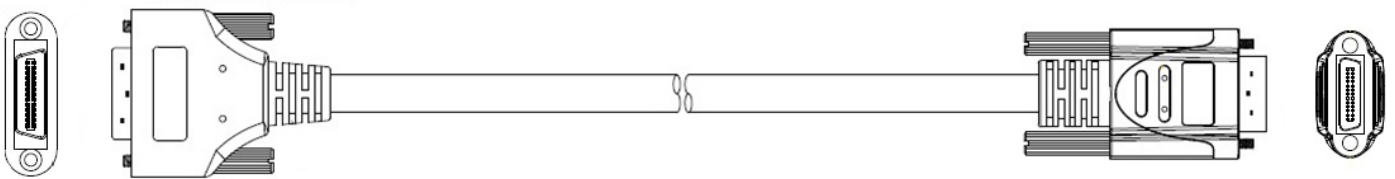
CameraLink cable can realize high-speed image data transmission between CameraLink interface camera and frame grabber, supporting the use of special industrial environment.

- High transmission rate, plug and play function
- Connector molds are linear and right-angled
- There are standard lengths of 3m and 5m to choose from, and size customization is also accepted
- There are static standard type and high flexibility and bending resistance / high sliding type cables to choose from

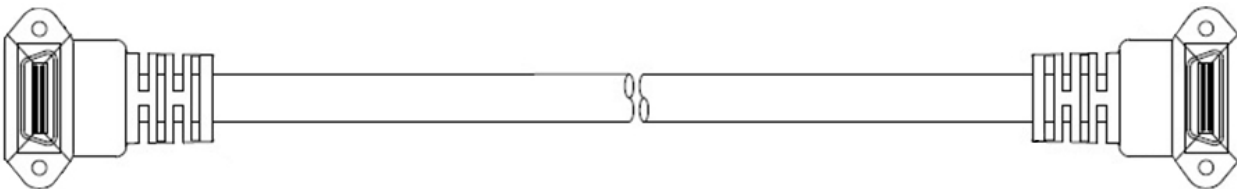
Product Model		Connector 1	Connector 2	Length
Main Code	Sub Code			
VT-CL-3M/5M	M0M-S0M	MDR	SDR	3M / 5M
	M0M-S0M-H	MDR	SDR	3M / 5M
	S0M-S0M	SDR	SDR	3M / 5M
	M0M-M0M	MDR	MDR	3M / 5M
	M0M-M0M-H	MDR	MDR	3M / 5M



- MDR26 Male (Straight Type) - SDR26 Male (Straight Type)



- SDR26 Male (Right Angle Type) - SDR26 Male (Right Angle Type)



Cables (POWER and I/O)

VT-Hirose cables can be used to power and control the I/O on iBoost SWIR cameras. This cable uses a 12-pin connector on the camera side. The other end is open and the length can be customized, allowing the wire to be shortened to match individual requirements.

Product Code	Connects...	To...	Length
VT-Hirose12-13-1.5M	HRS 12pin	Open	1.5M



Vision And More Available

让工业更智能，让视觉更简单！



10GigE, SWIR Camera
Industrial Camera



Line Scan Lens, Macro Lens,
SWIR Lens, Industrial Lens



Microscope



System Solution
No-programming
Software

Hangzhou ContrastTech Co., Ltd.

Tel: 86-571-89712238

www.contrasttech.com



Ver.23.07