

SMART CAMERA



- Built-in high-precision positioning, measurement, calibration, logic, defect detection, OCR and code reading algorithms
- Output results via RS-232 and Ethernet, and cooperate with other processes via I/O
- Optional multi-color light source
- Supports mechanical autofocus, multi-focal length lens optional

Smart Camera

► Features

- Built-in high-precision positioning, measurement, calibration, logic, defect detection, OCR and code reading algorithms
- Output results via RS-232 and Ethernet, and cooperate with other processes via I/O
- Large memory and high-speed storage support image savings in loop with high performance
- Optional multi-color light source、Optional multi-focal length lens
- Support Serial, TCP, UDP, FTP, Modbus, and other communication modes



Visual Tools		
Series	SE Series	DL Series
AI Deep Learning	/	Object detection, Classification
Count	Pattern count, Spot count, Edge count, Outline count	
Existence:	Pattern existence, Spot existence, Edge existence, Circle existence, Line existence, Contour existence	
Measurement	Brightness analysis, Contrast measurement, Greyscale size, Diameter measurement, Width measurement, Line angle, Line to line angle, Point to line measurement, Color size(Color Only), Pitch measurement	
Recognition	Classification registration, Target detection registration, Color recognition(Color Only), Color contrast(Color Only), OCR, Code recognition	
Location	Match mocation, Match calibration, Location Correction	
Logic tool	If module, Logic judge, Condition judge, Combination judge, Calculator, String comparison	
Defect detection	Exception detection	

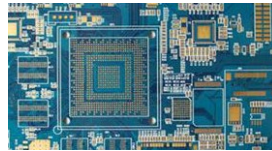
► Applications



3C Electronic



New energy



PCB inspection



Logistics inspection



Drug Packaging

► Parameters(SE Series)

Model	Resolution [HxV pixels]	Sensor Size	Pixel Size [μm ²]	Frame Rate [fps]	Mono/ Color	Ethernet	Shutter Type	Lens Mount	Focal Length [mm]	Light Source ¹	Dimensions
VT-SM2-704SE-M06	704 × 540	1/2.9"	6.9	60	M	Fast Ethernet	Global	M10	6.72	W	A
VT-SM2-704SE-M/C08	704 × 540	1/2.9"	6.9	60	M/C	Fast Ethernet	Global	M12	8	W	B
VT-SM2-704SE-M/C12	704 × 540	1/2.9"	6.9	60	M/C	Fast Ethernet	Global	M12	12.4	W	B
VT-SM2-704SE-M/C15	704 × 540	1/2.9"	6.9	60	M/C	Fast Ethernet	Global	M12	14.8	W	B
VT-SM2-1408SE-M06	1408 × 1024	1/2.9"	3.45	60	M	Fast Ethernet	Global	M10	6.72	W	A
VT-SM2-1408SE-M/C08	1408 × 1024	1/2.9"	3.45	60	M/C	Fast Ethernet	Global	M12	8	W	B
VT-SM2-1408SE-M/C12	1408 × 1024	1/2.9"	3.45	60	M/C	Gigabit Ethernet	Global	M12	12.4	W	B
VT-SM2-1408SE-M/C15	1408 × 1024	1/2.9"	3.45	60	M/C	Gigabit Ethernet	Global	M12	14.8	W	B

► Parameters(DL Series)

Model	Resolution [HxV pixels]	Sensor Size	Pixel Size [μm^2]	Frame Rate [fps]	Mono/Color	Ethernet	Shutter Type	Lens Mount	Focal Length [mm]	Light Source ¹	Dimensions
VT-SM2-1216DL-M/C08 ²	1216 × 1024	1/1.45"	6.9	60	M/C	Fast Ethernet	Global	M12	8	W/R/B/NIR	C
VT-SM2-1216DL-M/C12 ²	1216 × 1024	1/1.45"	6.9	60	M/C	Fast Ethernet	Global	M12	12	W/R/B/NIR	C
VT-SM2-1216DL-M/C16 ²	1216 × 1024	1/1.45"	6.9	60	M/C	Fast Ethernet	Global	M12	16	W/R/B/NIR	C
VT-SM2-1408DL-M/C06	1408 × 1024	1/2.9"	3.45	60	M/C	Fast Ethernet	Global	M12	8	W/R/B/NIR	D
VT-SM2-1408DL-M/C12	1408 × 1024	1/2.9"	3.45	60	M/C	Fast Ethernet	Global	M12	12.4	W/R/B/NIR	D
VT-SM2-1408DL-M/C15	1408 × 1024	1/2.9"	3.45	60	M/C	Fast Ethernet	Global	M12	16	W/R/B/NIR	D
VT-SM2-2048DL-M/C08 ²	2048 × 1536	1/1.8"	3.45	40	M/C	Fast Ethernet	Global	M12	8	W/R/B/NIR	C
VT-SM2-2048DL-M/C12 ²	2048 × 1536	1/1.8"	3.45	40	M/C	Fast Ethernet	Global	M12	12	W/R/B/NIR	C
VT-SM2-2048DL-M/C16 ²	2048 × 1536	1/1.8"	3.45	40	M/C	Fast Ethernet	Global	M12	16	W/R/B/NIR	C
VT-SM2-2368DL-M08	2368 × 1760	1/1.7"	3.2	30	M	Fast Ethernet	Global	M12	8	W/R/B/NIR	D
VT-SM2-2368DL-M12	2368 × 1760	1/1.7"	3.2	30	M	Fast Ethernet	Global	M12	12.4	W/R/B/NIR	D
VT-SM2-2368DL-M16	2368 × 1760	1/1.7"	3.2	30	M	Fast Ethernet	Global	M12	16	W/R/B/NIR	D

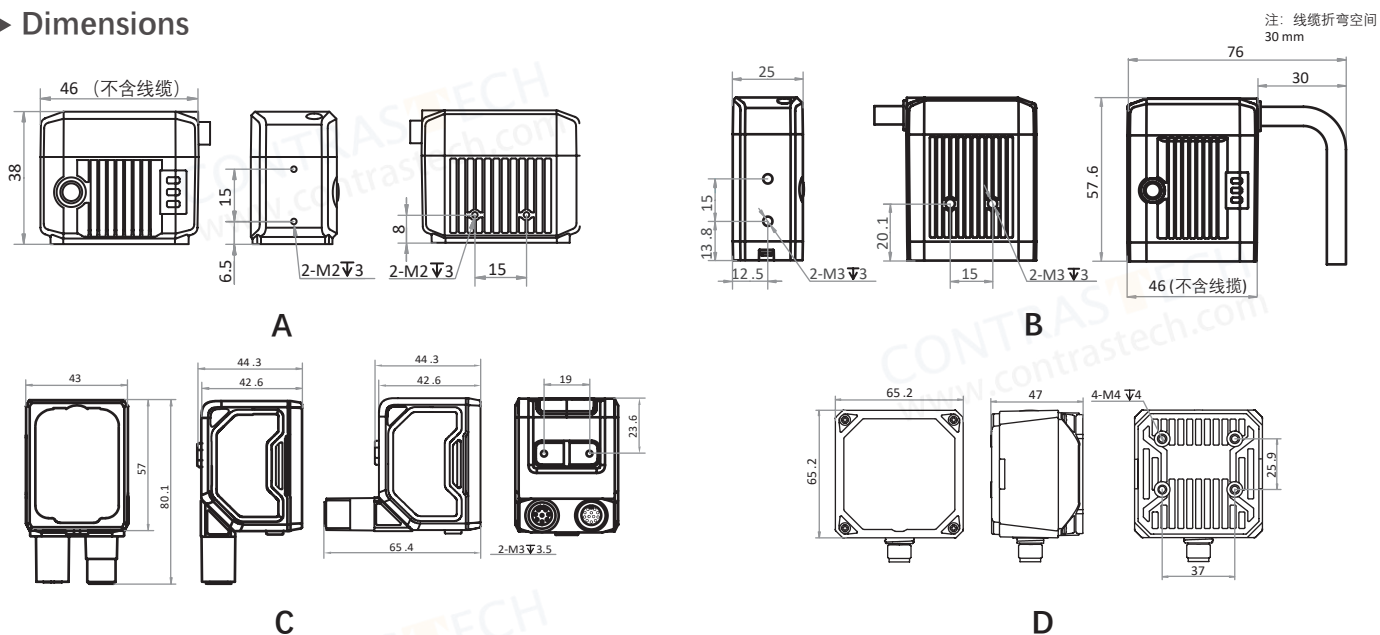
Note 1: Default-White light; Optional-Red/Blue/infrared.

Note 2: Rotatable tail line design, flexible in narrow space. Combo includes: full penetration + polarization + diffusion lens cover.

Default: Transparent lens cover

Optional: Semi-polarized lens cover/full-polarized lens cover

► Dimensions



► Accessories

Optional Cable	M12 Connector	Description	For Camera
Length: 1/3/5m	8-pin	Ethernet function to RJ45 Gigabit Ethernet	VT-SM2-1216DL VT-SM2-2048DL VT-SM2-2432DL
	12-pin	Power supply, digital IO, serial port functions: 12-pin(Open)	
	17-pin	Power supply, RJ45, digital IO, serial port functions	Others

Vision And More Available

让工业更智能，让视觉更简单！



SWIR/LWIR Camera
Industrial Camera



Macro Lens
Industrial Lens



Microscope



Hangzhou Contrastech Co., Ltd.

Tel: 86-571-89712238

www.contrastech.com



Ver.23.12