

Neptune Series

The Second Generation HDMI Cameras



- Sony's New Generation High Dynamic Range Cmos Image Sensor
- HDMI Interface, High-Definition Photo
- Switch Between Chinese Simplified/English/Chinese Traditional language

ContraTech Neptune Series

The Second-generation HDMI Cameras

For more info, pls visit:
www.contrastech.com

Main Features

- ◆ Support Manual/Automatic Exposure/One-Key Exposure, Exposure Compensation Value Adjustment;
- ◆ Support Manual/Automatic White Balance/One-Key White Balance, Red, Green and Blue Adjustable;
- ◆ Provide 8 Line Drawing Functions, The Line Color, Thickness And Position can be Adjusted;
- ◆ Provide Center Cross Line Display/Close;
- ◆ Support Electronic Zoom Function;
- ◆ Support Image Freezing;
- ◆ Support TF Card Storage, Up To 64GB;
- ◆ Support Remote Control Operation, Clearer Images Without Shaking When Taking Pictures;
- ◆ Support Chinese and English language switching;
- ◆ Support Shutdown Setting Parameter Saving;

Specifications

Model	Sensor	Sensor Format	Pixel Size [μm ²]	USB Interface	Lens Mount	Video Recording	Remote Control	Control Panel
HD300SE	Sony 2MP	1/2"	3.75	USB2.0*2 (U Disk and Mouse)	C	Y	N	Y
HD180-S	Sony 16MP	1/3"	1.335	USB2.0-B	C/CS	Y	Y	Y
HD180-M	Sony 2MP	1/2.9"	2.8	/	C/CS	N	Y	N
HD180-L	Sony 2MP	1/2"	3.75	USB2.0-B	C	N	Y	Y
Model	HD300SE	HD180-S	HD180-M	HD180-L				
HDMI Output	1920*1080 60 FPS	1920*1080 60 FPS	1920*1080 30 FPS	1920*1080 60 FPS				
USB Output	1920*1080 30 FPS							
Cross Hair	Support 8 Lines With Adjustable Color, Thickness And Position							
Center Line	Support							
Storage Setting	External U Disk	Support TF card, up to 64GB	Support TF card, up to 32GB	Support TF card, up to 64GB				
Language	Chinese Simplified/Chinese Traditional/English							
Power	DC 5V—12V							
Surfacing	/		CNC Finish Milled Aluminium Housing					
Dimension	68*68*47mm	66*66*49mm	43*43*58mm	60*60*80mm				
Weight	500g	450g	330g	330g				

Remote Control



HD180-S



HD180-M/L

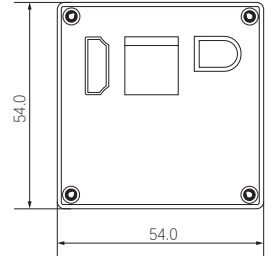
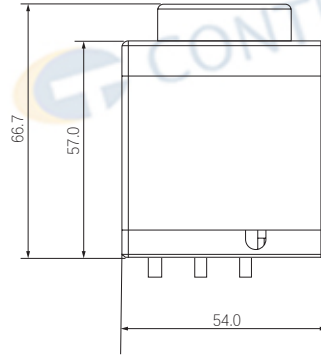
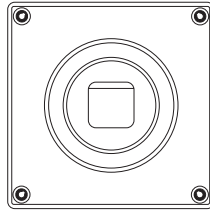
ContraTech Neptune Series

The Second-generation HDMI Cameras

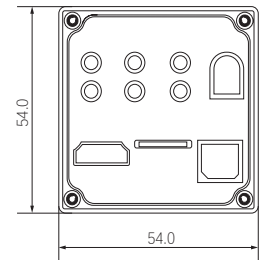
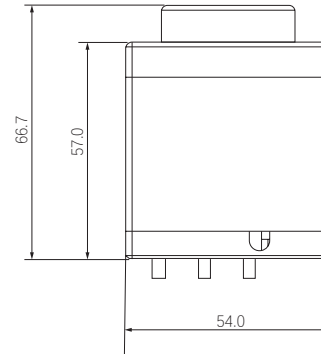
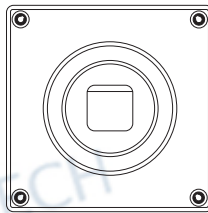
For more info, pls visit:
www.contrastech.com

Dimensions

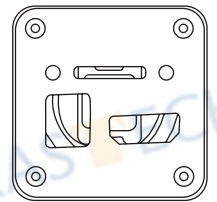
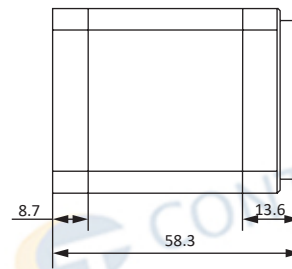
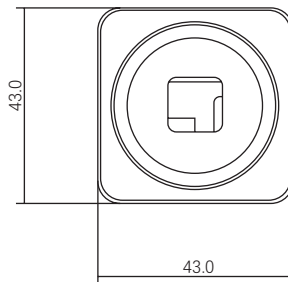
HD300SE



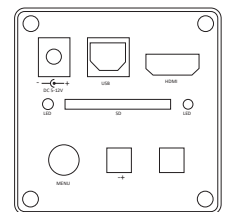
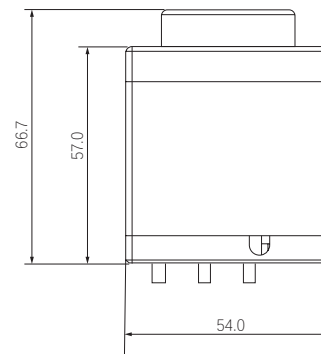
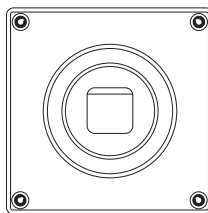
HD180-S



HD180-M



HD180-L



ContraTech Neptune Series

The Second-generation HDMI Cameras

For more info, pls visit:
www.contrastech.com

Main Features

- ◆ Adopt the Latest Sony High Dynamic CMOS Image Sensor;
- ◆ Support Manual One-Key Exposure, One-Key White Balance, Red, Green and Blue Adjustable;
- ◆ Support U Disk Storage Function, Can Connect External Mouse;
- ◆ Provide 8 Line Drawing Functions, The Line Color, Thickness and Position can be Adjusted;
- ◆ Support Taking Pictures In JPG Format;
- ◆ Support HDMI 1080p 60 Frames Image Output, High-Definition Photography; SVS400SE Supports HDMI Up To 4k 60-Frame Image Output;
- ◆ Support Importing PNG Files;
- ◆ Support 12 Measurement Functions Such as Line Drawing, Straight Line, Circle, Etc.;
- ◆ Support Measurement Data Calibration;
- ◆ Support Chinese and English Language Switching;
- ◆ Support Shutdown Setting Parameter Saving;
- ◆ CNC Precision Milling Aluminum Alloy Shell

Specifications

Model	Sensor	Sensor Format	Pixel Size [μm^2]	USB Interface	Lens Mount	Storage Setting	Remote Control
SVS300SE	Sony 2MP	1/2"	3.75	USB2.0*2 (U Disk and Mouse)	C	External U Disk	N
SVS400SE	Sony 8MP	1/1.8"	2.0	USB2.0*2 (U Disk and Mouse)	C	External U Disk	N
SVS400SE-B	Sony 8MP	1/1.8"	2.0	USB2.0*2 (U Disk and Mouse)	C	External U Disk	N

Model	SVS300SE	SVS400SE	SVS400SE-B
HDMI Output	1920*1080 60 FPS	3840*2160 60 FPS 1920*1080 30 FPS	3840*2160 60 FPS 1920*1080 30 FPS
USB Output	1920*1080 30 FPS		
Measurement	Built-in measurement function		
Cross Hair	Support 8 Lines With Adjustable Color, Thickness And Position		
Center Line	Support		
Language	Chinese Simplified/Chinese Traditional/English		
Power	DC 5V—12V		
Surfacing	CNC Finish Milled Aluminium Housing		
Dimension	70*70*38mm	60*60*59.8mm	80*80*42mm
Weight	500g	450g	/

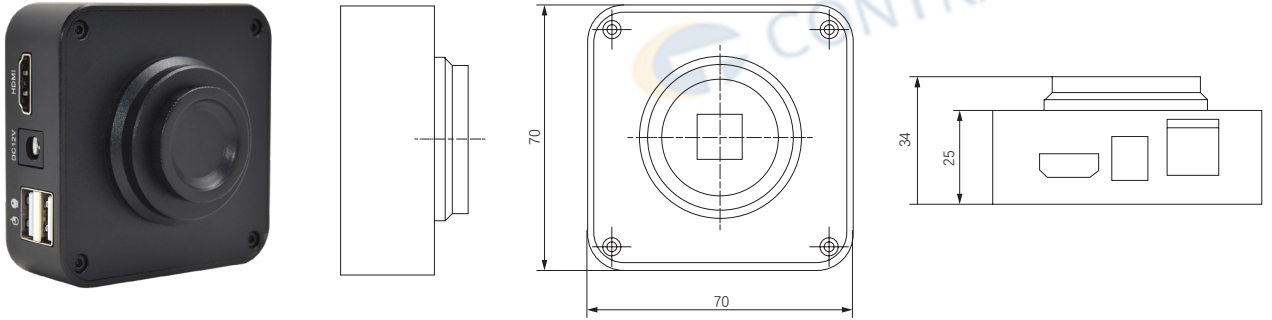
ContraTech Neptune Series

The Second-generation HDMI Cameras

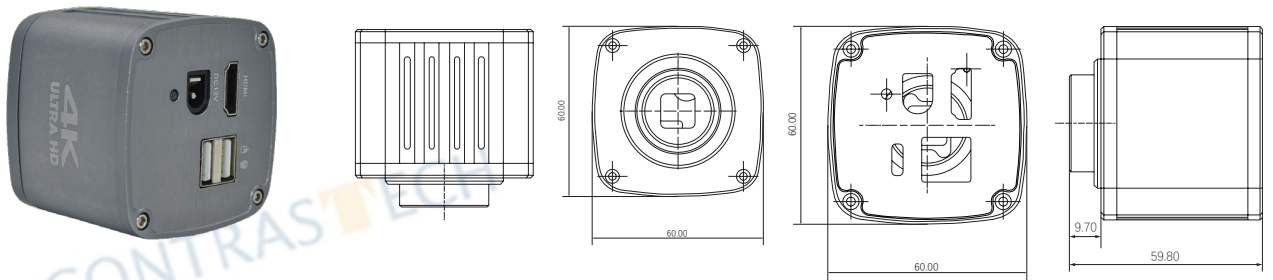
For more info, pls visit:
www.contrastech.com

Dimensions

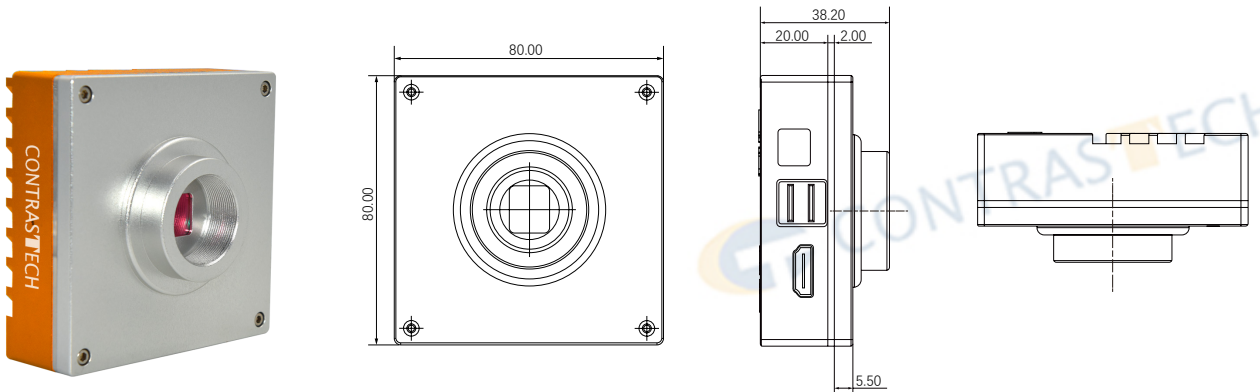
SVS300SE



SVS400SE



SVS400SE-B



Vision And More Available !

让工业更智能,让视觉更简单!



SWIR/LWIR Camera
Industrial Camera



Macro Lens
Industrial Lens



Microscope



System Solution
No-programming Software

Company Hangzhou Contrastech Co.,Ltd
Add. Xiyuan 9th Road West Lake District, Hangzhou 310030 China
Tel. +86-571-89712238
Email market@contrastech.com (Market)
support@contrastech.com (Support)
Website www.contrastech.com



Ver.22.08