

CONTRASTECH

Mars Series - Board Level Camera

Applied range

Railway related applications.

Features:

- Adopts GigE interface and max. transmission distance of 100 meters without relay;
- Up to 128 MB local memory for burst transmission and retransmission;
- Support multiple modes such as software trigger / hardware trigger / free running;
- Support sharpness, noise reduction, gamma correction, LUT, black level correction, brightness, contrast and other ISP functions;
- Color camera supports interpolation, white balance, color conversion matrix, Chroma, saturation, etc.
- Support multiple image output formats, ROI, Binning, mirroring, etc.
- Follow GigE Vision 、 USB3 Vision protocol and GenICam standard;
- Support PoE power supply (specific models)

www.contrastech.com
Email:market@contrastech.com

Contrastech GigE Board Level Camera

Model	Resolution	Frame Rate (fps)	Pixel Data Format (bit)	Sensor Size	Pixel Size (μm^2)	Sensor	Sensor Type	Color	Power Consumption
Mars1300-60gm-BL	1280x1024	60	10	1/2"	4.8	PYTHON1300	Global	Mono	5V \approx 1.8W
Mars6000-25gm-BL	3072x2048	25	12	1/1.8"	2.4	IMX178	Rolling	Mono	5V \approx 2W
Mars800-120gm-BC	800x600	120	10	1/3.6"	4.8	PYTHON480	Global	Mono	12V \approx 2.8W
Mars6000-18gm-BC	3072x2048	18	12	1/1.8"	2.4	IMX178	Rolling	Mono	12V \approx 3.4W
Mars1300-60gm-BC	1280x1024	60	10	1/2"	4.8	PYTHON1300	Global	Mono	12V \approx 3.4W
Mars3800-10gm-BC	3840x2748	10	12	1/2.3"	1.67	MT9J003	Rolling	Mono	12V \approx 2.9W

Specifications

	Mars1300-60gm-BL	Mars6000-25gm-BL
Interface	HCON	
Output Color	Monochrome: Mono8/10packed	Monochrome: Mono8
SNR	>38dB	
Dynamic Range	60dB	
I/O Lines	1 differential input; 1 I2C interface; 2 outputs which can be decoded from LVDS serial data	
Gain	0dB-18dB	0dB-48dB
Gamma	0~4, LUT Supported	
Exposure Time	16 μs ~ 1 s	208.6 μs ~1s
Dimension	27x27 mm	
Power Supply	DC5V via Hirose connector	
Lens Mount	C/CS Mount	
Temperature	Storage: -30°C ~ +80°C, Operating: -30°C ~ +50°C	

Specifications

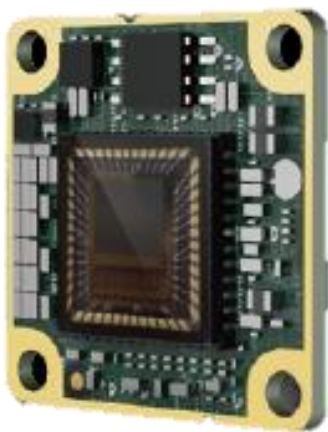
	Mars800-120gm-BC	Mars1300-60gm-BC	Mars3800-10gm-BC	Mars6000-18gm-BC
Interface	GigE, PoE			
Output Color	Monochrome: Mono8/10/10packed		Monochrome: Mono8/10/10Packed/12/12Packed	
SNR	>38dB			
Dynamic Range	60dB		65dB	60dB
I/O Lines	Pin8 Port: 1 opto-isolated input line, 1 opto-isolated output line, 1 GPIO output line			
Gain	X1~X32			
Gamma	-	-	0~4, LUT Supported	
Exposure Time	1 μs ~ 1 s		25 μs ~1s	
Image storage	128MB Supported	64MB Supported	64MB Supported	128MB Supported
Dimension	55x55x14 mm (Not including the lens mount and rear case connector)			
Power Supply	PoE, DC6V~26V via port			
Power Consumption	12V \approx 2.8W	12V \approx 3.4W	12V \approx 2.9W	12V \approx 3.4W
Lens Mount	CS Mount	CS Mount	C Mount	C Mount
Temperature	Storage: -30°C ~ +80°C, Operating: -30°C ~ +50°C			

Contrastech USB3.0 Board Level Camera

Model	Resolution	Frame Rate (fps)	Pixel Data Format (bit)	Sensor Size	Pixel Size (μm^2)	Sensor	Sensor Type	Color	Power Consumption
Mars1300-201um-BC	1280x1024	201	10	1/2.7"	4.0	SS	Global	Mono	5V \approx 2.8W
Mars1300-208um-BC	1280x1024	208	10	1/2"	4.8	PYTHON1300	Global	Mono	5V \approx 2.8W

Specifications

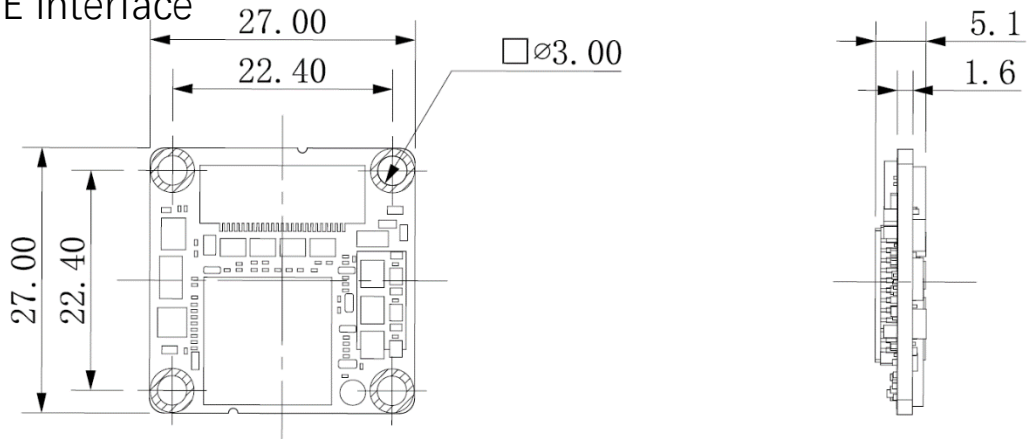
Interface	USB 3.0
Output Color	Monochrome: Mono8/10/10packed
SNR	>38dB
Dynamic Range	60dB
I/O Lines	Pin5 Port: 1 opto-isolated input lines, 1 opto-isolated output lines, 1 non-opto-isolated Configurable input and output lines
Gain	X1~X32
Gamma	0~4, LUT Supported
Exposure Time	1 μs ~ 1 s
Image storage	64MB Supported
Dimension/Weight	35x35x19 mm (Not including the lens mount and rear case connector), 46g
Power Supply	5V/900mA via USB3.0 port
Lens Mount	C/M12 Mount
Temperature	Storage: -30°C ~ +80°C, Operating: -30°C ~ +65°C



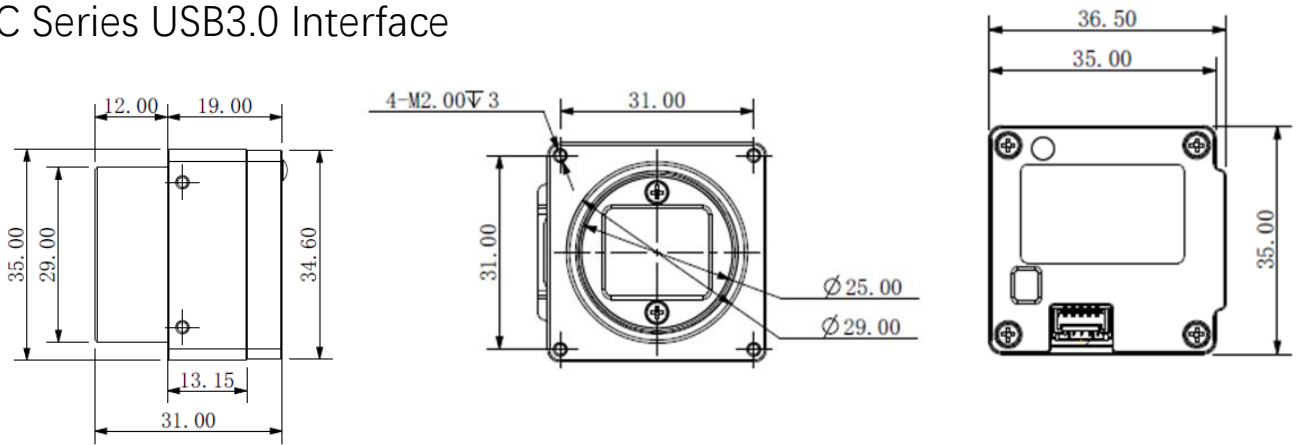
Dimension

Unit: mm

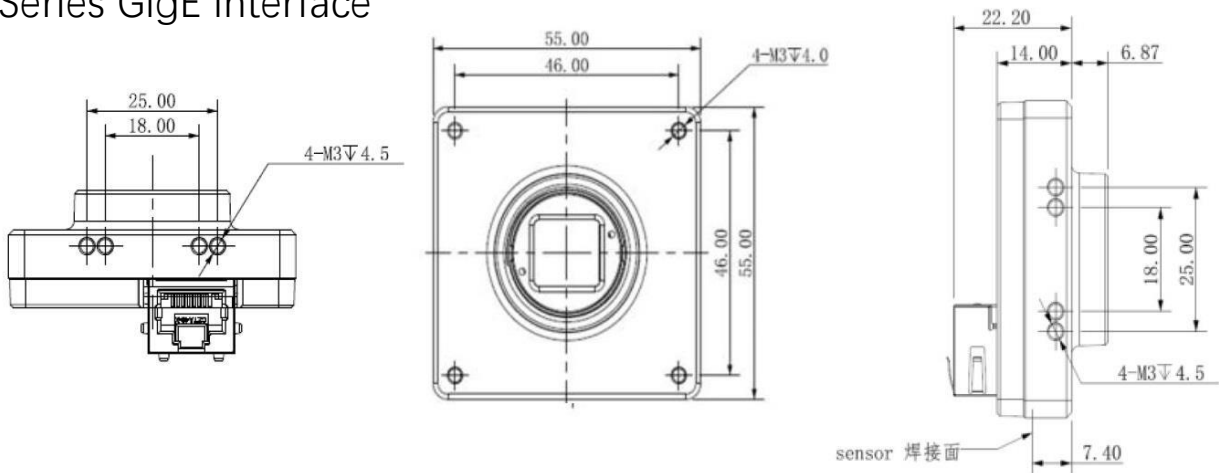
-BL Series GigE Interface



-BC Series USB3.0 Interface



-BC Series GigE Interface



Hangzhou Contrastech Co., Ltd. is not responsible for any technical or typographical errors and reserves the right to make changes to products, specifications and documentation without prior notice.

www.contrastech.com

No 8, Xiyuan 9th Road Hangzhou 310030 China

Email: market@contrastech.com



CONTRASTECH

©Hangzhou Contrastech Co., Ltd. All rights reserved. 05/2020