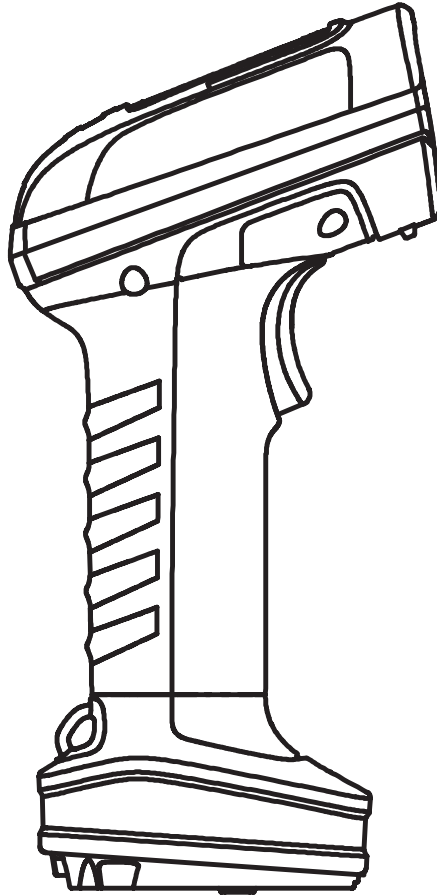
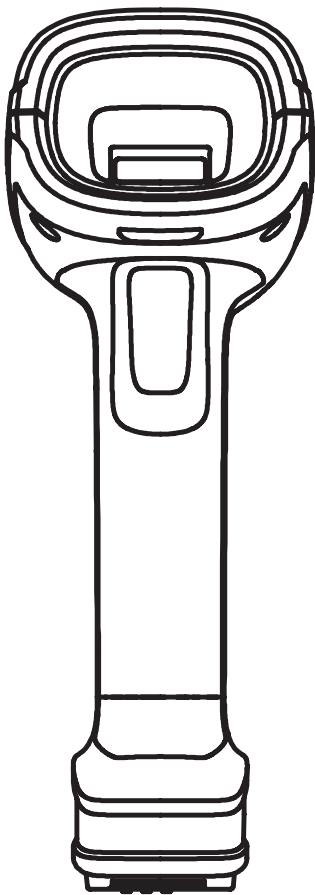


# DataMagic Series

## Industrial Code Reader



- Resolution covers 0.4MP to 20MP/Optional zoom lenses
- Easy to debug/Up to IP67 level protection
- Reliable reading performance/Industrial decoding algorithm
- Suitable for industrial automation code reading

## Ultra-compact 1D / 2D Code Reader

New generation industrial decoding algorithm with excellent code reading performance plus mega pixel resolution sensor, accurately identify bar code/QR code, radium engraving, dot and other DPM codes. Ultra-small size design and industrial IP65 protection level, suitable for a variety of complex industrial environment.

### ► Features

- Built-in laser aiming cross hairs can clearly indicate the target field of view.
- External focusing knob for visualization of the focusing plane.
- Various I/O interface and in-line power interface.
- Ultra-compact size, suitable for small space, perfect for miniaturized or existing automation equipment.
- With integrated light source, reading speed up to 45 yards/ second, stable and reliable reading performance.
- Single aviation plug design, simple connection.
- Side trigger button, flexible off-line debugging.

### ► Technical Parameter

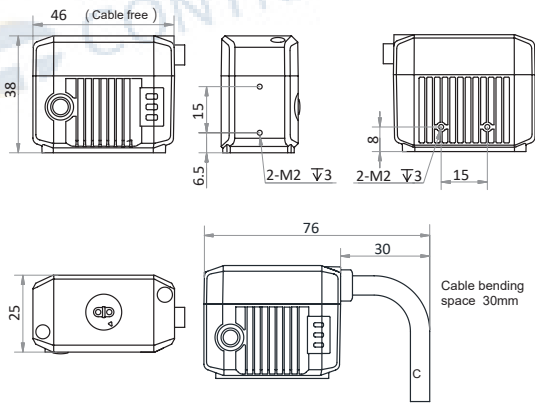
Model	Resolution	Frame Rate	Reading Speed	Data Output Interface	Max Power Consumption	Focal Length	Working Distance	Dimensions
DM-W40S-M06SM-SxST <sup>1</sup>	704 × 540	60 fps	41 yards/second	Fast Ethernet	10.6 W@24 VDC	6.72mm	40~120mm Manual Focusing	A
DM-W40S-M06SM-SxSTU <sup>1</sup>	704 × 540	60 fps	38 yards/second	USB2.0	4.6 W@5 VDC	6.72 mm	40~120 mm, Manual Focusing	A
DM-W40S-M16SM-SRST	704 × 540	60 fps	45 yards/second	Fast Ethernet	11W@5 VDC	16mm	100~400mm	C
DM-W100S-M05AF-LW	1280 × 800	50 fps	34 yards/second	Fast Ethernet	6,24 W@24 VDC	5 mm	110 mm	B
DM-W100S-M05AF-LWU	1280 × 800	50 fps	32 yards/second	USB2.0	4.4 W@5 VDC	5 mm	110 mm	B
DM-W130S-M06SM	1280 × 1024	60 fps	45 yards/second	Fast Ethernet	10.6 W@24 VDC	6.72 mm	40~120 mm, Manual Focusing	A
DM-W130S-M16SM-SRST	1280 × 1024	60 fps	45 yards/second	Fast Ethernet	24 W@12 VDC	16 mm	105~150 mm, Manual Focusing	E
DM-W130S-M25SM-SRST	1280 × 1024	60 fps	45 yards/second	Fast Ethernet	24 W@12 VDC	25 mm	170 ~ 200 mm, Manual Focusing	E
DM-W130S-M0SM-00ST	1280 × 1024	60 fps	45 yards/second	Fast Ethernet	6 W@12 VDC	/	/	F
DM-W130LP-05-Sxy <sup>12</sup>	1280 × 1024	50 fps	30 yards/second	Fast Ethernet	2.5 W@12 VDC	4.7 mm	/	D
DM-W130LP-05-SxyU <sup>12</sup>	1280 × 1024	50 fps	30 yards/second	USB2.0	2.5 W@5 VDC	4.7 mm	/	D
DM-W130L-M05-Sxy <sup>12</sup>	1280 × 1024	50 fps	30 yards/second	Fast Ethernet	2.5 W@12 VDC	4.7 mm	/	D
DM-W130L-M05-SxyU <sup>12</sup>	1280 × 1024	50 fps	30 yards/second	USB2.0	2.5 W@5 VDC	4.7 mm	/	D
DM-W130L-M05ND-Sxy <sup>12</sup>	1280 × 1024	50 fps	30 yards/second	Fast Ethernet	2.5 W@12 VDC	4.7 mm	/	D
DM-W130L-M05ND-SxyU <sup>12</sup>	1280 × 1024	50 fps	30 yards/second	USB2.0	2.5 W@5 VDC	4.7 mm	/	D
DM-W130L-M05G-Sxy <sup>12</sup>	1280 × 1024	50 fps	30 yards/second	Fast Ethernet	2.5 W@12 VDC	4.7 mm	/	D
DM-W130L-M05G-SxyU <sup>12</sup>	1280 × 1024	50 fps	30 yards/second	USB2.0	2.5 W@5 VDC	4.7 mm	/	D
DM-W160S-M06SM-SxST <sup>1</sup>	1408 × 1024	60 fps	45 yards/second	Fast Ethernet	10.6 W@24 VDC	6.72 mm	40~120 mm, Manual Focusing	A
DM-W160S-M06SM-SxSTU <sup>1</sup>	1408 × 1024	60 fps	45 yards/second	USB2.0	4.6 W@5 VDC	6.72 mm	40~120 mm, Manual Focusing	A
DM-W160S-xGF <sup>1</sup>	1408 × 1024	60 fps	45 yards/second	Fast Ethernet	11 W@12 VDC	6.7/10/16 mm*	100 ~ 400 mm	C
DM-W160S-M16SM-SRST	1408 × 1024	60 fps	45 yards/second	Fast Ethernet	24 W@12 VDC	16 mm	105 ~ 150 mm, Manual Focusing	E
DM-W160S-M25SM-SRST	1408 × 1024	60 fps	45 yards/second	Fast Ethernet	24 W@12 VDC	25 mm	170 ~ 200 mm , Manual Focusing	E
DM-W160S-M0CM-00ST	1408 × 1024	60 fps	45 yards/second	Fast Ethernet	6 W@12 VDC	/	/	F

<sup>1</sup>: x=W White, x=R Red, x=B Blue

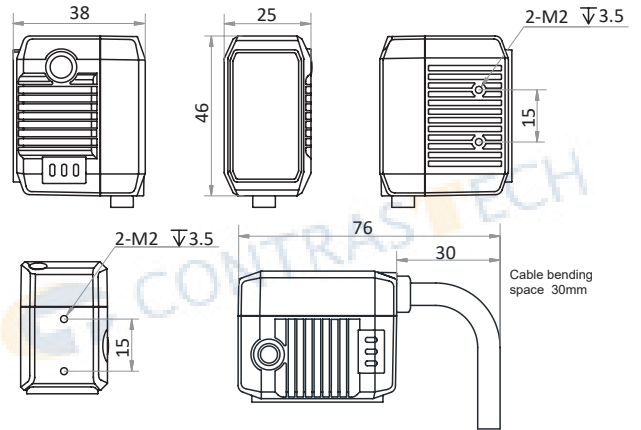
<sup>2</sup>: y=P Polarized, y=N Unpolarized

\* Focal Length are optional.

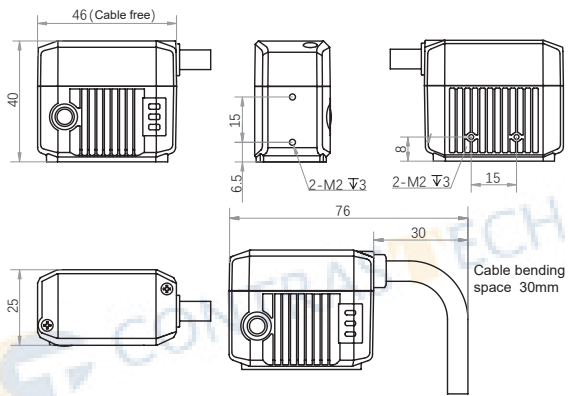
► Dimensions



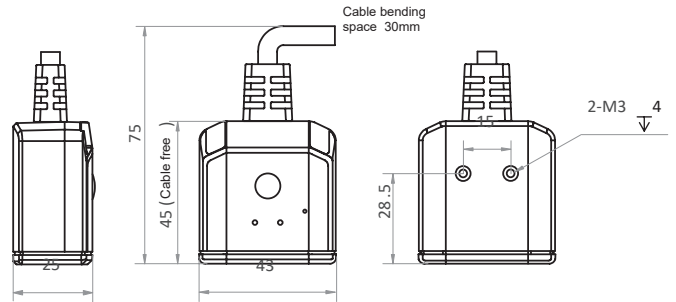
A



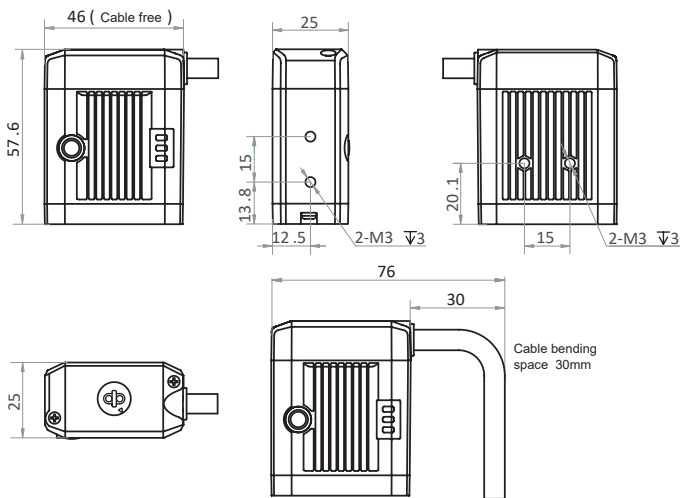
B



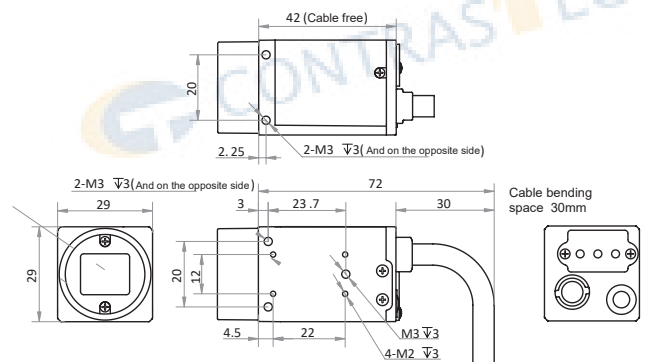
C



D



E



F

# Autofocus AI-Powered Code Reader

With deep learning function, high performance processing module, and excellent barcode/two-dimensional code reading performance, compatible with mass code system. Stable and high-speed reading performance to meet the application requirements of moving targets in the production line. All-round mounting hole design, suitable for various mounting posture. Optional auto focusing lens and mechanical focusing lens, easy to debug. Automatic polarization characteristic plus light source shunt controllable, suitable for various complex working scenes.

## ► Features

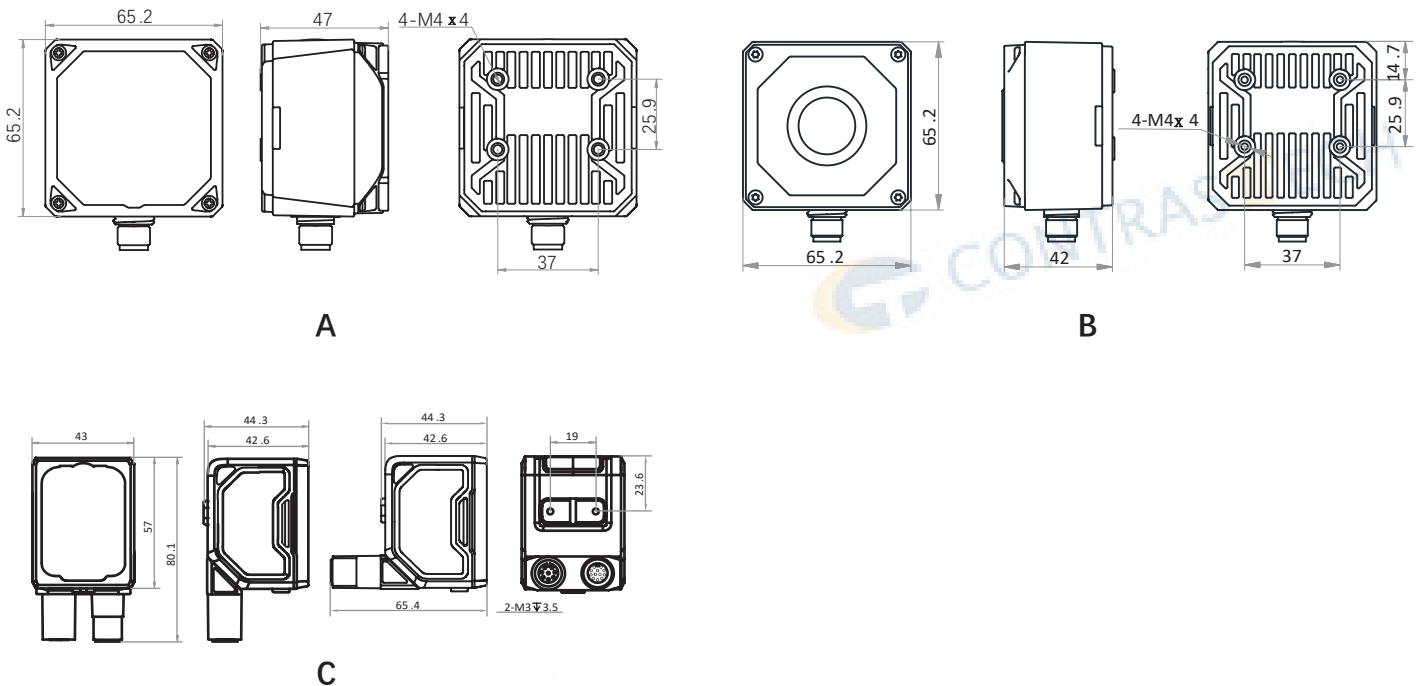
- Double LED sight, accurately determine the scanning area.
- With IP65 protection level, small size design, suitable for a variety of narrow space and complex industrial environment
- Built-in light source can be switched to polarization mode to improve the reading performance of reflective materials and the flexibility of application.
- Special deep learning processing module has excellent reading ability to radium carving, dot and other complex DPM code.
- With ring indicator light, quickly observe the working state. External waterproof debugging button supports external manual trigger.
- Multiple specifications and flexible configuration cover more application scenarios.

## ► Technical Parameter

Model	Resolution	Frame Rate	Reading Speed	Data Output Interface	Max Power Consumption	Focal Length*	Dimensions
DM-J130P-M	1280 × 1024	60 fps	84 yards/second	Fast Ethernet	20 W@24 VDC	6/12/14.8 mm	A
DM-J160P-M	1408 × 1024	60 fps	84 yards/second	Fast Ethernet	20 W@24 VDC	6/12/14.8 mm	B
DM-J160U-M	1408 × 1024	60 fps	110 yards/second	Fast Ethernet	6.2W@24 VDC	8/12/16/25mm	C
DM-J300U-M	2048 × 1536	60 fps	90 yards/second	Fast Ethernet	6.2W@24 VDC	8/12/16/25mm	C
DM-J500P-M	2368 × 1760	30 fps	60 yards/second	Fast Ethernet	10.6 W@24 VDC	8/12/16/25 mm	A

\* Focal Length are optional.

## ► Dimensions



# Deep Learning AI-Powered Code Reader

With deep learning technology, reading efficiency is improved by 4 times, With strong reading performance for complex code type. Optional autofocus and mechanical focus lens, easy to debug, Multiple I/O ports, flexible deployment of communication structure. Suitable for various complex applications of industrial automatic reading, especially in electronics, auto parts, metal manufacturing, new energy and other industries. Megapixel level sensor with large field of view and depth of field, High-performance processing sensor allows reading speed up to 86 bits per second.

## ► Features

- Coding level scoring algorithm for synchronous inspection of QR code printing quality.
- Complete instructions and user interface for more convenient operation.
- Supports communication protocols such as TCP/IP, Serial, FTP, Ethernet/IP, MELSEC, Fins, etc.
- A fully functional industrial code reader with a resolution range of 3MP to 20MP, achieving ultra-high accuracy and a wide field of view.
- 20MP global shutter for easy response to large field of view and high-speed moving targets.
- Ultra sturdy and durable design, IP67 protection, fearless of harsh industrial application environments.

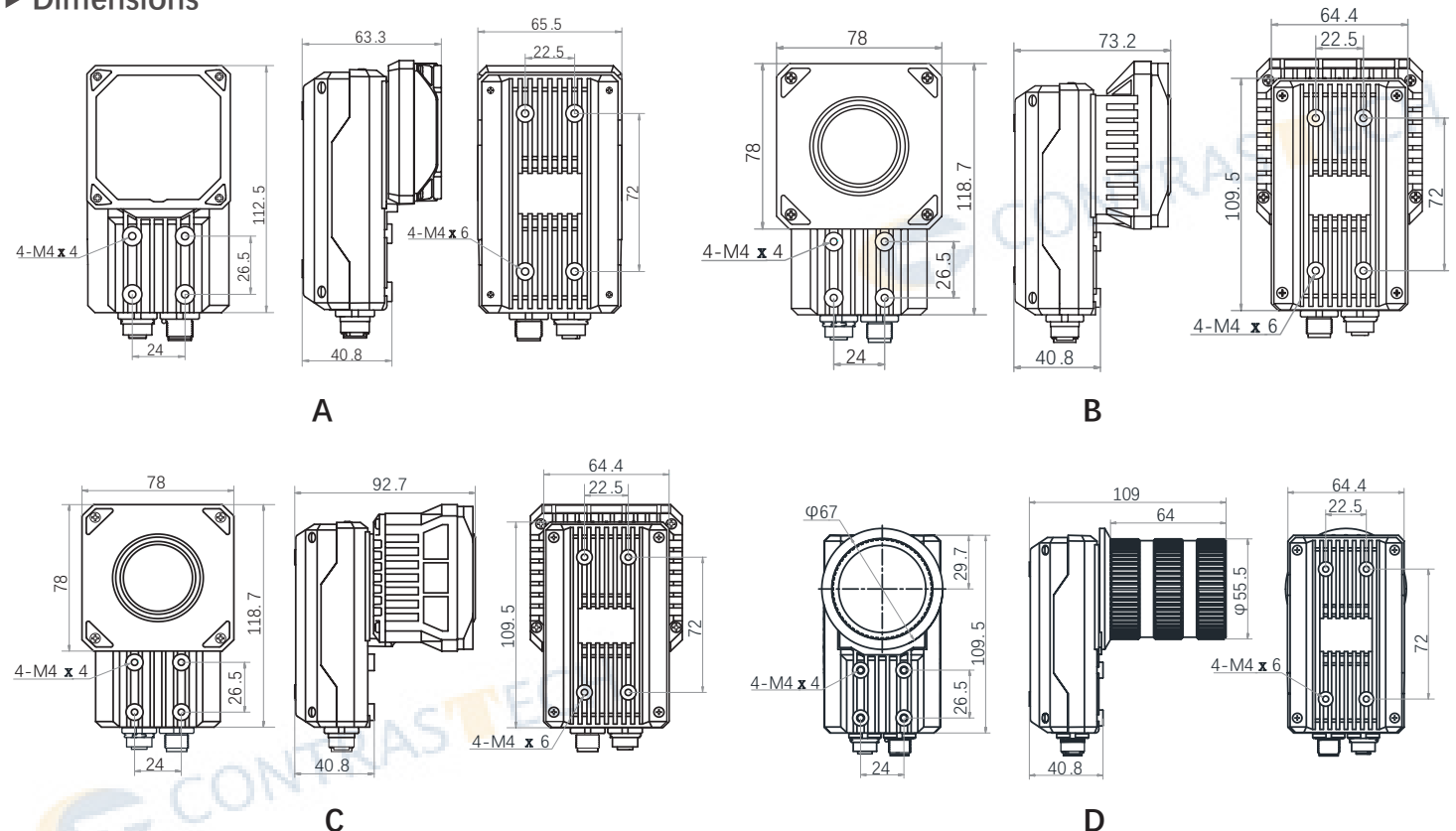
## ► Technical Parameter

Model	Resolution	Frame Rate	Reading Speed	Data Output Interface	Max Power Consumption	Focal Length	Dimensions
DM-Q300S-MxxSM-SWST <sup>1</sup>	2048 × 1536	60 fps	90 yards/second	Gigabit Ethernet	60 W@24 VDC	8/12/16/25 mm*	A
DM-Q500S-MxxSM-SWST <sup>1</sup>	2368 × 1760	40 fps	90 yards/second	Gigabit Ethernet	60 W@24 VDC	8/12/16/25 mm*	A
DM-Q600S-MxxSM-SWST <sup>1</sup>	3072 × 2048	30 fps	90 yards/second	Gigabit Ethernet	20 W@24 VDC	8/12/16/25 mm*	B
DM-Q600S-M0CM-SWST	3072 × 2048	30 fps	90 yards/second	Gigabit Ethernet	23 W@24 VDC	/	C
DM-Q600S-M0CM-00ST	3072 × 2048	30 fps	90 yards/second	Gigabit Ethernet	23 W@24 VDC	/	D
DM-Q1200S-M0CM-00ST	4096 × 3072	28 fps	84 yards/second	Gigabit Ethernet	12 W@24 VDC	/	D
DM-Q2000S-M0CM-00ST	5440 × 3648	20 fps	36 yards/second	Gigabit Ethernet	12 W@24 VDC	/	D
DM-Q2000P-M0CM-00ST	5440 × 3648	20 fps	36 yards/second	Gigabit Ethernet	12 W@24 VDC	/	D

<sup>1</sup>: xx They represent different focal lengths.

\* Focal Length are optional.

## ► Dimensions



## Handheld Code Reader

Ready to use, what you see is what you get! Excellent read performance and flexible scanning methods, Easily handle barcode labels with low contrast, damage, stains, poor printing, and low height. Equipped with LED indicator light and buzzer, Sound, light, and vibration indicators provide intuitive feedback for confirming various results in noisy or sensitive environments, making it easy for users to monitor the status of machine code reading. Multi-light source lighting system can intelligently switch between red and white light sources in the imaging area according to the scene, meeting various complex scanning requirements for different materials (reflective), shapes (curved surfaces), backgrounds, and barcode colors. The handheld ergonomic structure greatly reduces operational fatigue and improves work efficiency.

### ► Features

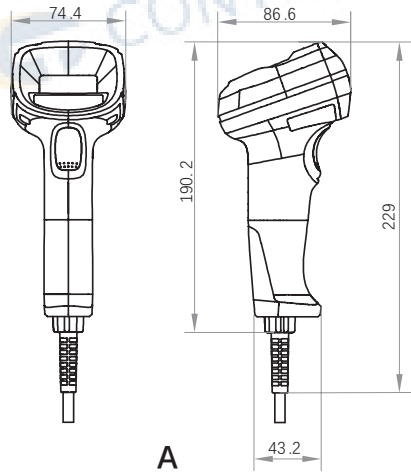
- No need for experienced IT personnel, free tools can easily manage code readers in all locations.
- Wireless version is connected via Bluetooth, eliminating cable interference.
- LED lights indicate charging and correct code reading status.
- Automatic red and white dual color fill, suitable for complex working conditions.
- Support communication protocols such as TCP/IP, Serial, FTP, PROFINET, Ethernet/IP, MELSEC, Fins, etc.
- Optional Ethernet and USB2.0 interfaces, serial communication, plug and play, no need for complex deployment.
- Cross laser positioning, high-speed focusing, double efficiency.
- Automatic control is more clear by external trigger scanning and reading result status output through I/O cables .

### ► Technical Parameter

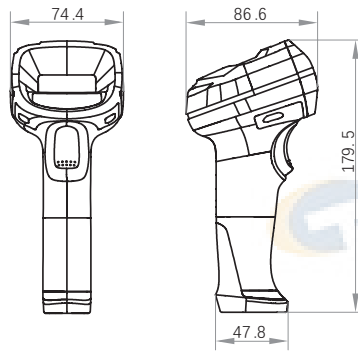
Model	Resolution	Frame Rate	Minimum Accuracy	Data Output Interface	Max Power Consumption	Focal Length	Dimensions
DM-GFA130-46GxD <sup>1</sup>	1280 × 1024	50 fps	S: 4 mil N: 3 mil	Fast Ethernet, RS-232, DC Port	1.8 W@12 VDC	4.7 mm	A
DM-GFA130-46UxD <sup>1</sup>	1280 × 1024	50 fps	S: 4 mil N: 3 mil	USB2.0, DC Port	USB2.0: 1.5 W@5 VDC DC Port: 1.8 W@12 VDC	4.7 mm	A
DM-GFA130W-46xD <sup>1</sup>	1280 × 1024	50 fps	S: 4 mil N: 3 mil	Fast Ethernet, RS-232, DC Port	Standby Mode: 0.8 W@ 3.8 VDC Work Mode: 1.6 W@ 3.8 VDC Sleep Mode: 0.6 W@ 3.8 VDC	4.7 mm	B
DM-GFA130W-46GxD <sup>1</sup>	1280 × 1024	50 fps	S: 4 mil N: 3 mil	Fast Ethernet, RS-232, DC Port	Standby Mode: 0.8 W@ 3.8 VDC Work Mode: 1.6 W@ 3.8 VDC Sleep Mode: 0.6 W@ 3.8 VDC	4.7 mm	B
DM-GFA130W-46UxD <sup>1</sup>	1280 × 1024	50 fps	S: 4 mil N: 3 mil	USB2.0, DC Port	Standby mode: 0.8 W@ 3.8 VDC Work Mode: 1.6 W@ 3.8 VDC Sleep Mode: 0.6 W@ 3.8 VDC	4.7 mm	B
DM-GFA100-50GxD <sup>1</sup>	1280 × 800	50 fps	S: 4 mil N: 3 mil	Fast Ethernet, RS-232	Standby Mode: 1.34 W@12 VDC Work Mode: 4.94 W@12 VDC	5 mm	C
DM-GFA100-50UxD <sup>1</sup>	1280 × 800	50 fps	S: 4 mil N: 3 mil	USB3.0	Standby Mode: 1.05 W@5 VDC Work Mode: 4.36 W@5 VDC	5 mm	C
DM-GFAP100P-66GxD <sup>1</sup>	1280 × 800	50 fps	S: 4 mil N: 3 mil	Fast Ethernet, RS-232, DC Port	6 W@24 VDC	6.7 mm	D
DM-GFAP100P-66UxD <sup>1</sup>	1280 × 800	50 fps	S: 4 mil N: 3 mil	USB2.0, DC Port	USB2.0: 4.6 W@5 VDC DC Port: 6 W@24 VDC	6.7 mm	D
DM-GFAP100W-66xD <sup>1</sup>	1280 × 800	50 fps	S: 4 mil N: 3 mil	/	Standby Mode: 1.1 W@ 3.8 VDC Work Mode: 6.4 W@ 3.8 VDC Sleep Mode: 0.8 W@ 3.8 VDC	6.7 mm	E
DM-GFAP100W-66GxD <sup>1</sup>	1280 × 800	50 fps	S: 4 mil N: 3 mil	/	Standby Mode: 1.1 W@ 3.8 VDC Work Mode: 6.4 W@ 3.8 VDC Sleep Mode: 0.8 W@ 3.8 VDC	6.7 mm	F
DM-GFAP100W-66UxD <sup>1</sup>	1280 × 800	50 fps	S: 4 mil N: 3 mil	/	Standby Mode: 1.1 W@ 3.8 VDC Work Mode: 6.4 W@ 3.8 VDC Sleep Mode: 0.8 W@ 3.8 VDC	6.7 mm	F

<sup>1</sup>: x=S Represents the standard focal segment, x=N Stand for near focal

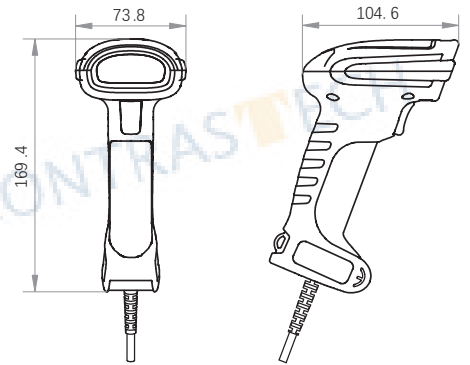
► Dimensions



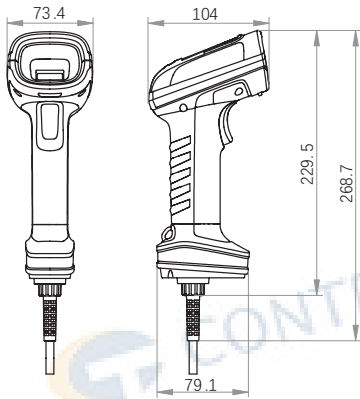
A



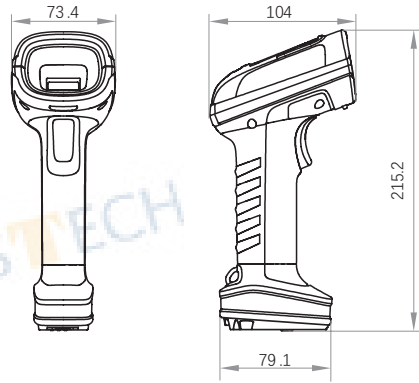
B



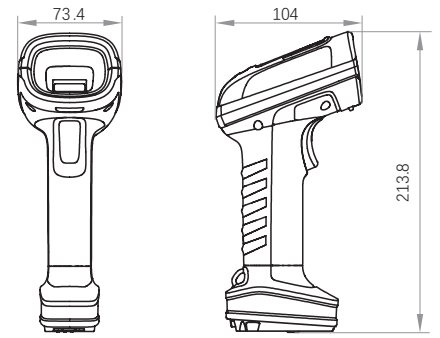
C



D



E



F



# Vision And More Available

让工业更智能，让视觉更简单！



SWIR/LWIR Camera  
Industrial Camera



Macro Lens  
Industrial Lens



Microscope



System Solution  
No-programming Software



CONTRASTECH

ADD: No 8, Xiyuan 9th Road Hangzhou 310030 China

TEL: 86-571-89712238

Email: market@contrastech.com

Web: www.contrastech.com



Ver.24.01