



**CONTRASTECH**

**Machine Vision LED Illumination**

**Machine Vision**

**LED Telecentric illumination**

## ABOUT US

Contrasttech as leading manufacturer of machine vision products in China, have almost 20 years in this industry, and the major products cover machine vision lighting / illumination, camera, lens, machine vision algorithms and storage software.

With abundant experience in industry application and scientific research, Contrasttech Machine Vision Led Illumination offer a wide range of selections, and we provide OEM / ODM customization for various lighting solutions, including but not limited to Line Scan Lights, Telecentric Lights, Ultraviolet and Infrared Lights , Waterproof and Anti-corrosion Lighs, and Multi-spectral Lights.

Contrasttech products have been exported to almost 100 countries and regions, and in thousands of projects we have received countless affirmations and reputations. Contrasttech machine vision products are well-known as innovative, flexible, stable and easy to use, enabling reliable inspection in many applications.



# Telecentric Illumination

## TI Series

### Features

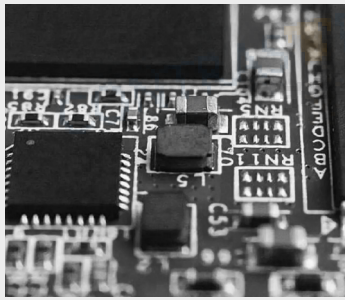
- Complete light coupling, increased distance between object and illumination source;
- Border effects removal, offer higher edge contrast and higher measurement accuracy;
- Field depth and telecentricity improvement.

### Applications

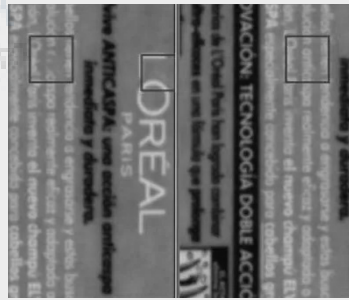
- Inspection of LCD, TP screen, LTO circuit, PCB circuit;
- Appearance inspection of food or medicine.



### Examples of Telecentric Light Images



PBC detection



Printing defect detection

Model No.	EFL (mm)	Power cons. (W)	Supply Voltage (v)	Max Current (mA)	Effective Illum. Dia. (mm)	Recommend WD (mm)	WD Variation Range (±mm)	Recommended Collimation (°)	Recommended Parallelism (°)
VT-TI-20	100.000	3	3	1000	20	110	50	0.52	0.060
VT-TI-37	79.300	5	24	208	37	56	40	1.73	3.480
VT-TI-50	-	3	3	1000	50	110	34	0.29	0.048
VT-TI-60	131.400	5	24	208	60	90	66	1.05	2.556
VT-TI-70	-	3	3	1000	70	150	77	0.33	0.060
VT-TI-80	160.300	5	24	208	80	120	80	0.86	1.800
VT-TI-80-L	160.300	5	24	208	80	120	80	0.86	1.800
VT-TI-100-L	220.700	5	24	208	100	165	110	0.62	1.740
VT-TI-120	-	3	3	1000	120	250	47	0.55	0.048
VT-TI-152-L	418.992	5	24	208	152	419	209	0.33	0.144
VT-TI-195-L	508.382	5	24	208	195	508	254	0.27	0.173
VT-TI-238-L	753.723	5	24	208	238	751	377	0.18	0.079
VT-TI-300	-	1W / 3W	5V(External Controller)/ 12V(Direct Current)	700	300	155-310	155-310	0.11	0.09

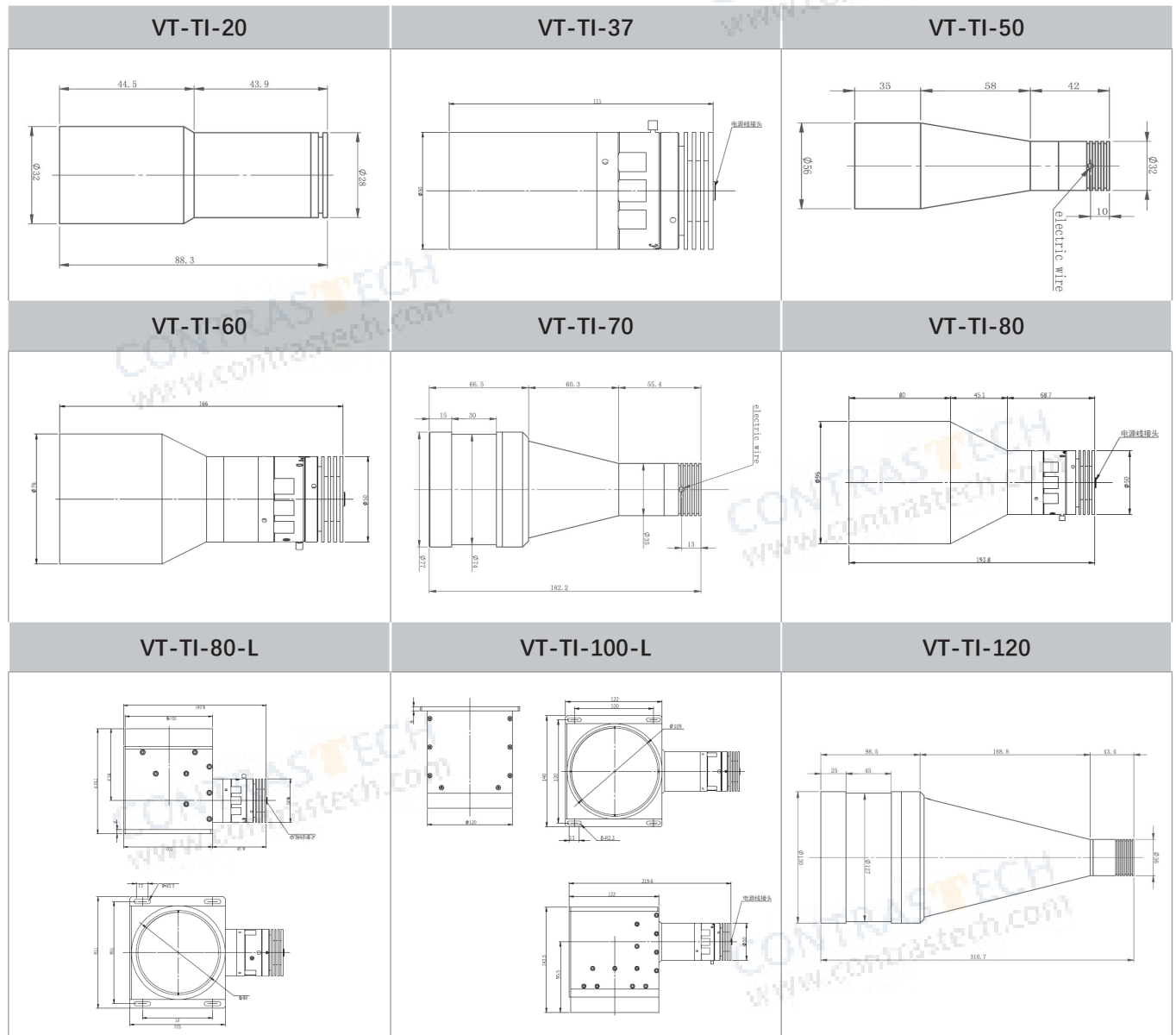
## Common Specifications

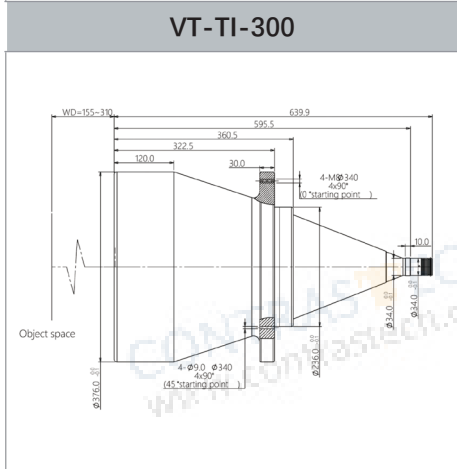
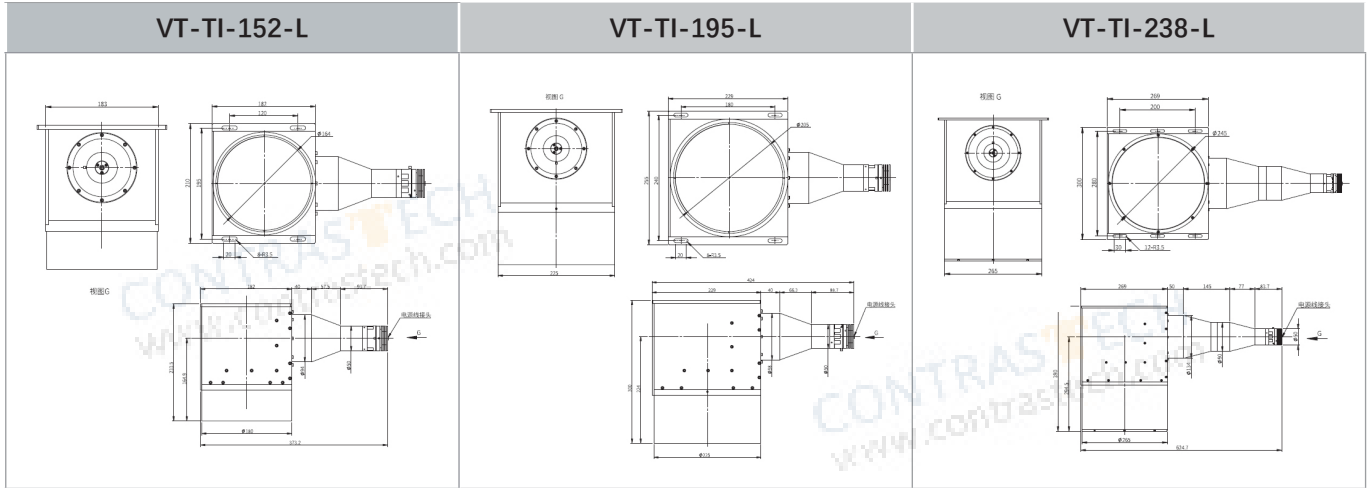
Output beam diameter	20-200mm
LED power rating	1W/3W (Standard 1W)
Color	Red 630nm: 3.5V / 350mA; Blue 460nm: 3.5V / 350mA Green 520nm: 3.5V / 350mA White 430~680nm: 3.5V/350mA

## Explanation of Model Code

VT-TI	20
Series	Illum. Diam.

## Dimension (mm)





CONTRASTECH  
www.contrastech.com

CONTRASTECH  
www.contrastech.com

CONTRASTECH  
www.contrastech.com



# Overview

## Light Controller Collection



Model	Drive Mode	Input Voltage	Output Voltage	Power	Output Current	Channel	Output Port	Adapt to line light
<b>Digital Controller</b>								
VT-LT4-0506PWDC-2	Constant Current	88V-264V	5V	Total:6W/Single :3W Expandable: Total:12W/Single:6W	/	2	SMP-03V	
VT-LT4-2420PWDC-2	Constant Voltage	88V-264V	24V	Total:20W Single:20W	/	2	SMP-03V	
VT-LT4-2460PWDC-4	Constant Voltage	88V-264V	24V	Total:60W Single:25W	/	4	SMP-03V	
VT-LT4-24150PWDC-4	Constant Voltage	88V-264V	24V	Total:150W Single:70W	/	4	SMP-03V	
VT-LT3-24240PWDC-2	Constant Current	100V-120V(Ver.A) 200V-240V(Ver.B)	24V	240W	Total:10A Single:10A	2	19M-5	✓
VT-LT3-24500PWDC-2	Constant Voltage	100V-240V	24V	480W	Total:20A Single:light 9A, fan 1A	2	19M-2E	
VT-LT4-48300PWDC-1	Constant Current	90V-264V	48V	300W	0-6A	1	-	
<b>Stroboscopic Controller (With Brightening Module)</b>								
VT-LT3-PLU24120-4	Constant Voltage	100V-240V	48V	120W	10A(Instantaneous Value)	4	SMP-03V-BC	
VT-LT3-PLU24200-2	Constant Voltage	100V-240V	48V	200W	50A(Instantaneous Value)	2	12M-2	
VT-LT3-PLU24200-4	Constant Voltage	100V-240V	48V	200W	25A(Instantaneous Value)	4	SMP-03V-BC	
<b>Line Source Stroboscopic Controller (With Brightening Module)</b>								
VT-LT3-PLU481000LI-6	Constant Voltage	100V-240V	48V	1000W	Total:25A Single:25A	6	16M-2	✓
<b>Line Source Controller</b>								
VT-LT3-24300PWLI-1	Constant Voltage	100V-240V	24V	≤ 300W	12.5A	1	AM20K4Z	✓
VT-LT3-48600PWLI-2	Constant Current	100V-120V(Ver.A) 200V-240V(Ver.B)	48V	600W	Total:12A Single:6A	2	19M-6	✓
VT-LT3-48600PWLIN-1	Constant Current	100V-120V(Ver.A) 180V-240V(Ver.B)	48V	≤ 600W	Total:12A Single:6A	1	19M-6	✓
VT-LT3-48300PWLIN-2	Constant Current	100V-240V	48V	≤ 300W	Total:6A Single:6A	2	16M-6	✓
VT-LT3-48600PWLIN-2	Constant Current	180V-240V	48V	≤ 600W	Total:12A Single:6A	2	19M-6	✓
VT-LT3-48800PWLIN-1	Constant Current	100V-240V	48V	< 800W	14A	1	19M-6	✓
VT-LT3-48800PWLIN-2	Constant Current	100V-240V	48V	≤ 800W /Single ≤ 400W	14A	2	19M-6	✓
VT-LT3-481200PWLIN-1	Constant Current	100V-240V	48V	≤ 1200W	Total:24A Single:12A	1	19M-6	✓
<b>Analog Controller</b>								
VT-LT4-0506PWAC-2	Constant Current	88V-264V	5V	Total:6W Single:3W	/	2	SMP-03V	
VT-LT3-2460PWAC-4	Constant Voltage	100V-240V	24V	60W	Total:2.5A Single:2.5A	4	SMP-03V-BC	

Note: Default -Ver.B version voltage

# 2024

HOT PRODUCTS

## Infrared Series Camera

- ◇ Near-Infrared(NIR) Industrial Cameras: 300-1100nm
- ◇ Short-Wave(SWIR) Industrial Cameras: 900-1700nm
- ◇ Cooled Mid-Wave Infrared(MWIR) Cameras: 1500-5200nm
- ◇ Long-Wave Infrared(LWIR) Industrial Cameras: 8000-14000nm



NIR



SWIR



MWIR



LWIR

## High-Speed Camera

- ◇ 10GigE, SDI
- ◇ 1000 ~ 1000000 FPS



• iSpeedy Series



iSpeedy SE Series •

# Vision And More Available

让工业更智能，让视觉更简单！



SWIR Camera  
Industrial Camera



Macro Lens  
Industrial Lens



Microscope



System Solution  
No-programming Software



CONTRASTECH

ADD: No 8, Xiyuan 9th Road Hangzhou 310030 China  
TEL: 86-571-89712238  
Email: [market@conrastech.com](mailto:market@conrastech.com)  
Web: [www.conrastech.com](http://www.conrastech.com)

