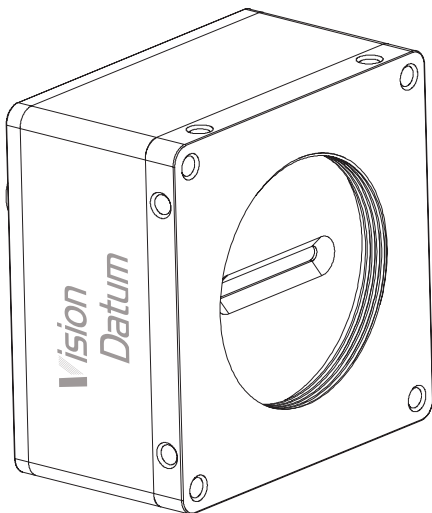


Mars Series Cameras

- Outstanding price-performance ratio
- GigE / CameraLink optional
- Optional pixels: 2K, 4K, 8K and 16K CMOS sensors
- Extensive sensor selection



Main Features

- Resolution from 2K to 16K for various applications.
- Adopts GigE interface and max. transmission distance of 100 meters without relay
- Compatible with GigE Vision Protocol, Cameralink Protocol, GenICam Standard
- Support Windows、Linux
- Up to 256 MB local memory for burst transmission and retransmission

Applications

- Agriculture sorting;
- PCB inspection;
- Paper surface inspection;
- Textile surface inspection;
- Railway inspection;
- Post sorting;
- TFES

Specifications



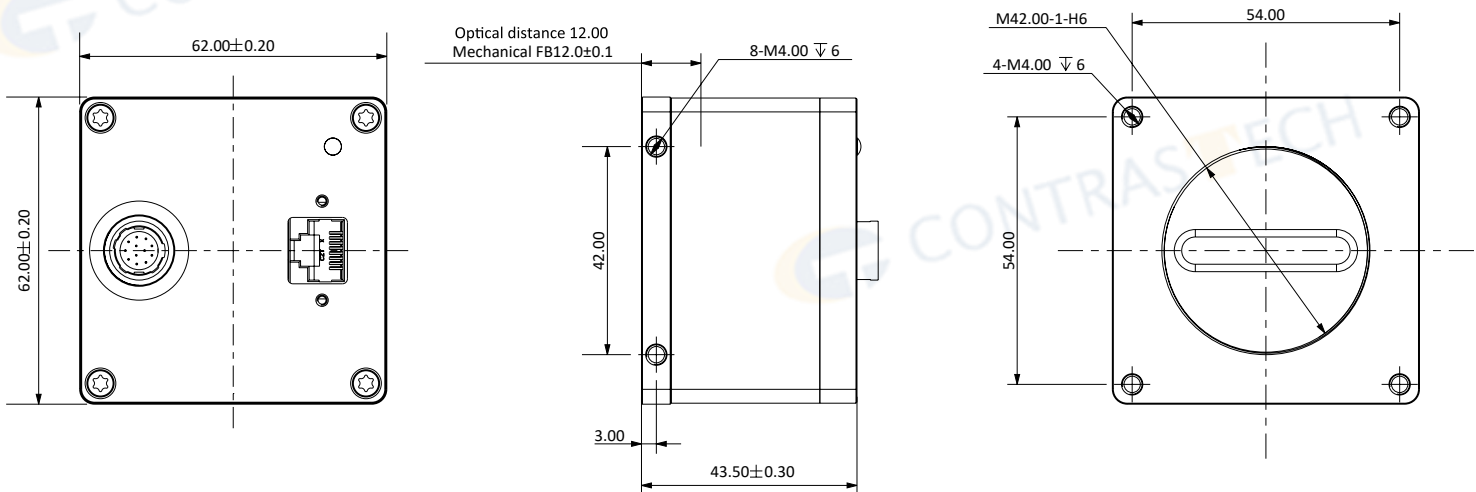
Model	Resolution (H×V)	Pixel Size (μm)	Data Bit	Line Rate (Max. KHz)	Lens Mount	Mono/Color	Interface
Mars2048G-L49gm	2048 × 1	14 × 14	12 bit	49	M42*1	Mono	GigE
Mars2048G-L49gc	2048 × 2	14 × 14	12 bit	49	M42*1	Color	GigE
Mars2048C-L49gm	2048 × 1	14 × 14	12 bit	49	M42*1	Mono	GigE
Mars2048C-L49gc	2048 × 2	14 × 14	12 bit	49	M42*1	Color	GigE
Mars4096G-L28gm	4096 × 1	7 × 7	12 bit	28	M42*1	Mono	GigE
Mars4096G-L28gc	4096 × 2	7 × 7	12 bit	28	M42*1	Color	GigE
Mars4096C-L28gm	4096 × 2	7 × 7	12 bit	28	M42*1	Mono	GigE
Mars4096C-L28gc	4096 × 2	7 × 7	12 bit	28	M42*1	Color	GigE
Mars8001-L13gm	8192 × 1	7 × 7	12 bit	13	M72*0.75	Mono	GigE
Mars4096G-L62cc	4096 × 2	7 × 7	12 bit	62	M42*1	Mono	Cameralink
Mars4096G-L120cm	4096 × 2	7 × 7	12 bit	120	M42*1	Mono	Cameralink
Mars8001C-L80cm	8192 × 1	7 × 7	12 bit	74	M72*0.75	Mono	Cameralink
Mars8004G-L100cm TDI	8192 × 4	5 × 5	10 bit	100	M72*0.75	Mono	Cameralink
Mars8006G-L34cc TDI	8192 × 6	5 × 5	10 bit	34	M72*0.75	Color	Cameralink
Mars16001-L50cm	16384 × 1	3.5 × 3.5	12 bit	50	M72*0.75	Mono	Cameralink

Camera	Mars2048G-L49gm	Mars2048G-L49gc	Mars4096G-L28gm	Mars4096G-L28gc
Image Format	Monochrome: Mono8/10/12/10Packed/12Packed Color: Mono8; BayerRG8/10/12/10P/12P; RGB8; YUV422Packed;			
Programmable Control (ISP)	Image Resolution, RGB gain, Exposure Time, Contrast, Gamma Chart, Image Rollover, Raw, LUT, Black Level Correction			
Housing Size	62.0 × 62.0 × 43.5 mm (260g)			
Operating Temperature	-30~80 ° C (Storage), -30~50° C (Working)			
Lens Mount	M42*1(FBL:12.00mm)			
Digital I/O	12-pin Hirose External Trigger Port: Differential/Single-ended inputs x 2,Differential outputs x 1,GPIO x 1			
Power Input	Power Supply via 12-pin Port, DC12~24V			
Driver	Mars Series Camera Software Suite or 3rd party GigE Vision Software			
Operating System	Windows, Linux			
Conformity	GigE Vision, GenICam			

All product specifications are certified accurate at time of printing.
Latest specifications and availability can be found on our website www.contrastech.com.

Dimension (in mm)

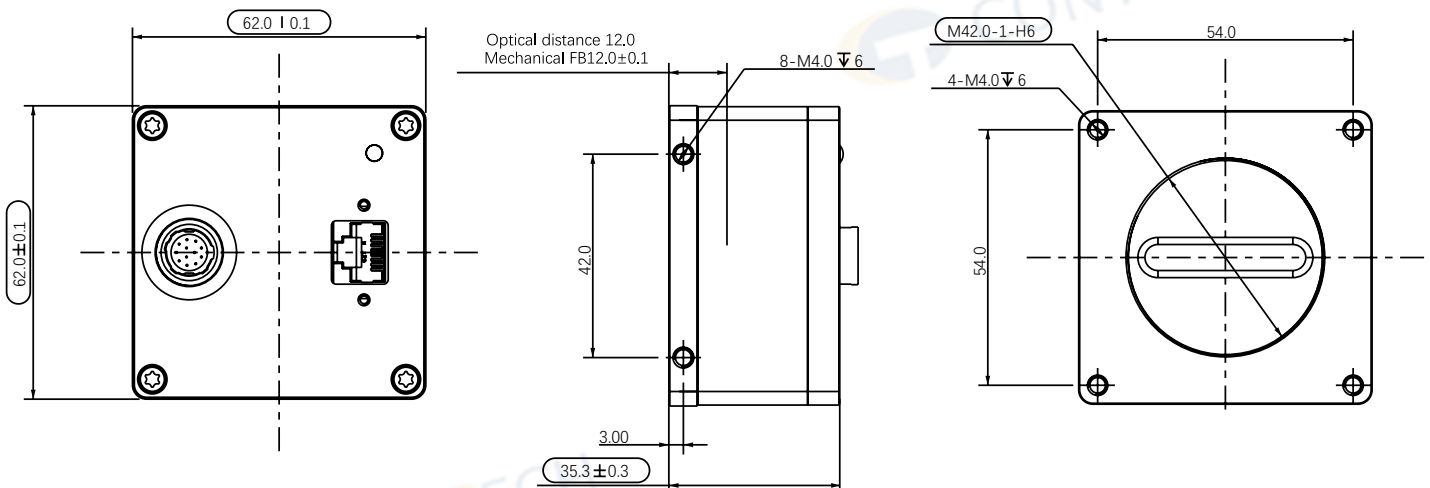
62x62x43.5mm



Camera	Mars2048C-L49gm	Mars2048C-L49gc	Mars4096C-L28gm	Mars4096C-L28gc
Image Format	Monochrome: Mono8/10/12/10Packed/12Packed Color: Mono8; BayerRG8/10/12/10P/12P; RGB8; YUV422Packed;			
Programmable Control (ISP)	Image Resolution, RGB gain, Exposure Time, Contrast, Gamma Chart, Image Rollover, Raw, LUT, Black Level Correction			
Housing Size	62.0 × 62.0 × 35.3 mm (245g)			
Operating Temperature	-30~80 ° C (Storage), -30~50° C (Working)			
Lens Mount	M42*1, BFL 12 mm			
Digital I/O	12-pin Hirose External Trigger Port: Differential/Single-ended inputs x 2, Differential outputs x 1, GPIO x 1			
Power Input	Power Supply via 12-pin Port, DC12~24V			
Driver	Mars Series Camera Software Suite or 3rd party GigE Vision Software			
Operating System	Windows, Linux			
Conformity	GigE Vision, GenICam			

Dimension (in mm)

62x62x35.3mm



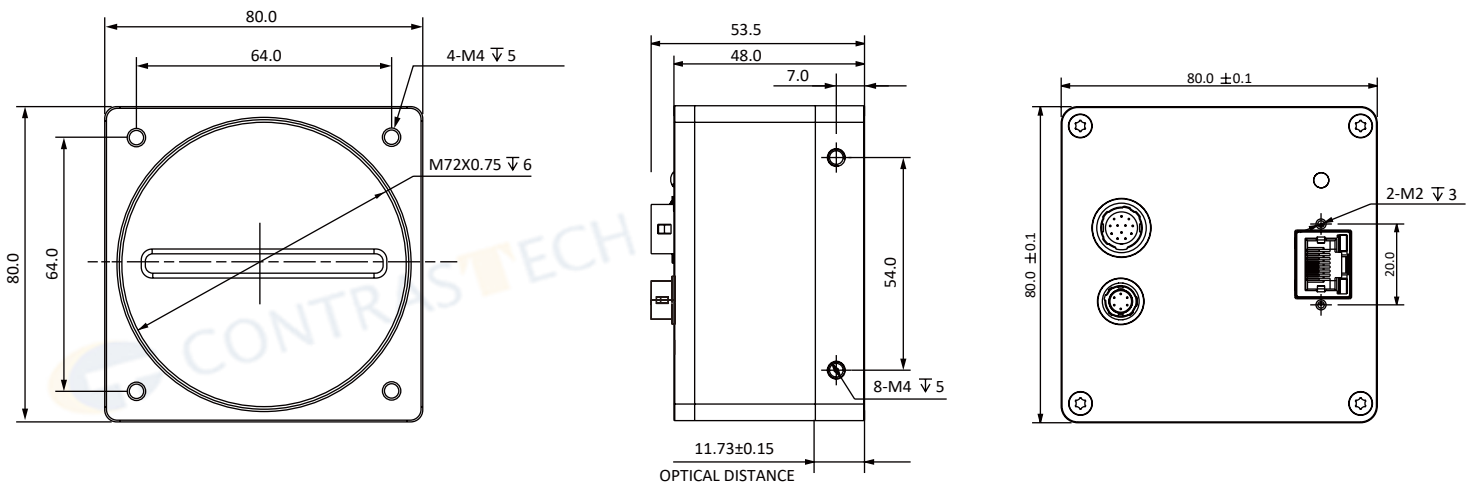
All product specifications are certified accurate at time of printing.
Latest specifications and availability can be found on our website www.contrasttech.com.

MARS SERIES CAMERAS

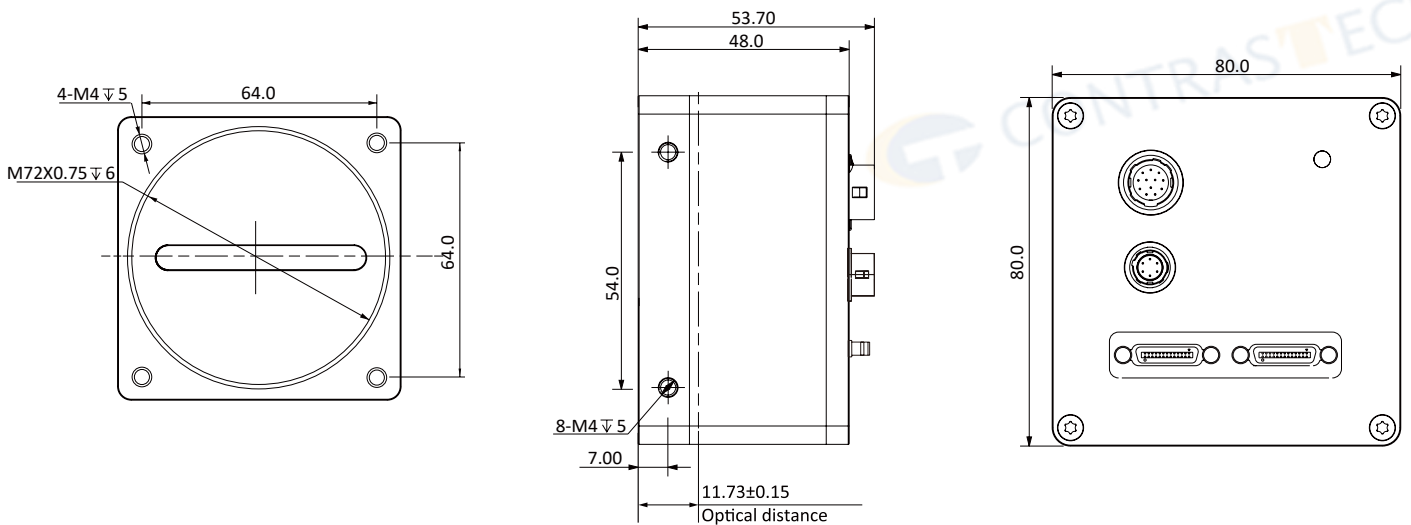
Camera	Mars8001-L13gm	Mars8001C-L80cm
Image Format	GigE: Mono8/10/10Packed/12/12Packed Cameralink: Mono8/10	
Programmable Control (ISP)	Image Resolution, Exposure Time, Contrast, Gamma Chart, Image Rollover, Raw, LUT, Black Level Correction	
Housing Size	80.0 × 80.0 × 48.0 mm (390g)	
Operating Temperature	-30~80 ° C (Storage), -30~50° C (Working)	
Lens Mount	M72*0.75, BFL 12 mm	
Digital I/O	12-pin Hirose External Trigger Port: Differential/single-ended inputs x 2; Differential/single-ended outputs x 2; Differential/single-ended configurable input and output x 1; GPIO x 1	
Power Input	Power Supply via 6-pin Port, DC12~24V	
Driver	Mars Series Camera Software Suite or 3rd party GigE Vision Software	Mars Series Camera Software Suite or 3rd Party Cameralink Protocol Software
Operating System	Windows, Linux	Windows
Conformity	GigE Vision, GenICam	Cameralink, GenICam

Dimension (in mm)

GigE : 80x80x48mm



Cameralink : 80x80x48mm

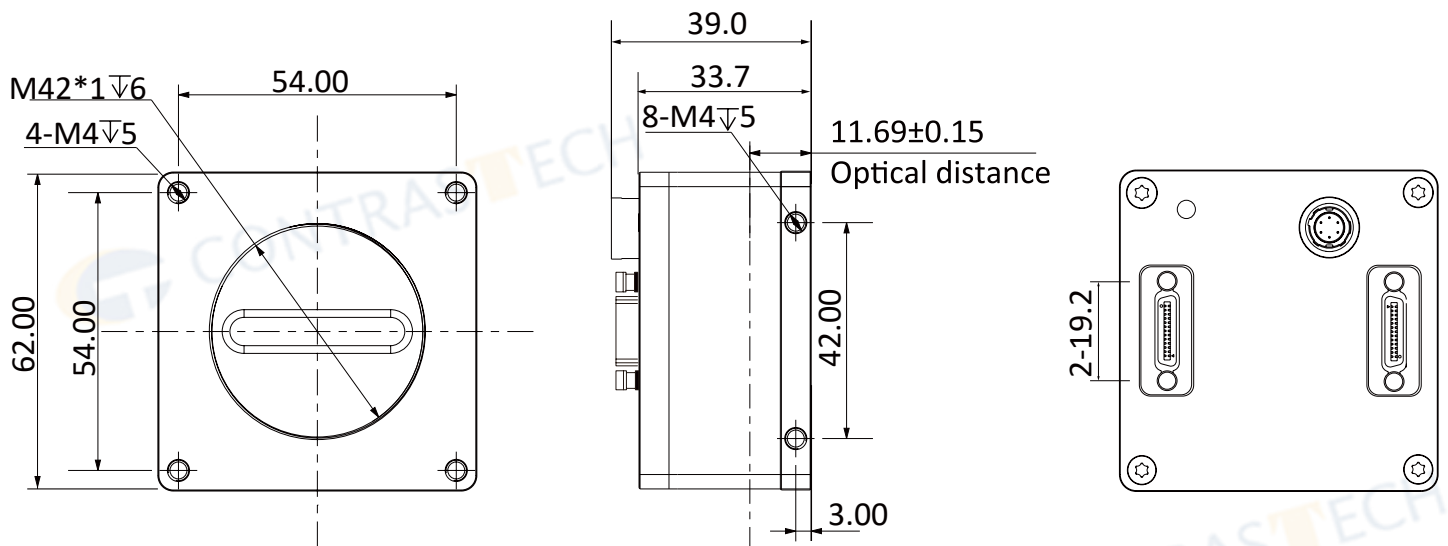


All product specifications are certified accurate at time of printing.
Latest specifications and availability can be found on our website www.contrastech.com.

Camera	Mars4096G-L62cc	Mars4096G-L120cm
Image Format	Mono: Mono8/10 Color: BayerRG8/RGB8	
Programmable Control (ISP)	Image Resolution, RGB gain, Exposure Time, Contrast, Gamma Chart, Image Rollover, Raw, LUT, Black Level Correction	
Housing Size	62.0 × 62.0 × 33.7 mm (252g)	
Operating Temperature	-30~80 ° C (Storage), -30~50° C (Working)	
Lens Mount	M42*1, BFL 12 mm	
Digital I/O	CameraLink interface for camera control and data transfer; supports Base/Medium/Full/Deca mode	
Power Input	Power Supply via 6-pin Port, DC12~24V	
Driver	Mars Series Camera Software Suite or 3rd Party Cameralink Protocol Software	
Operating System	Windows	
Conformity	Cameralink, GenICam	

Dimension (in mm)

62x62x33.7mm



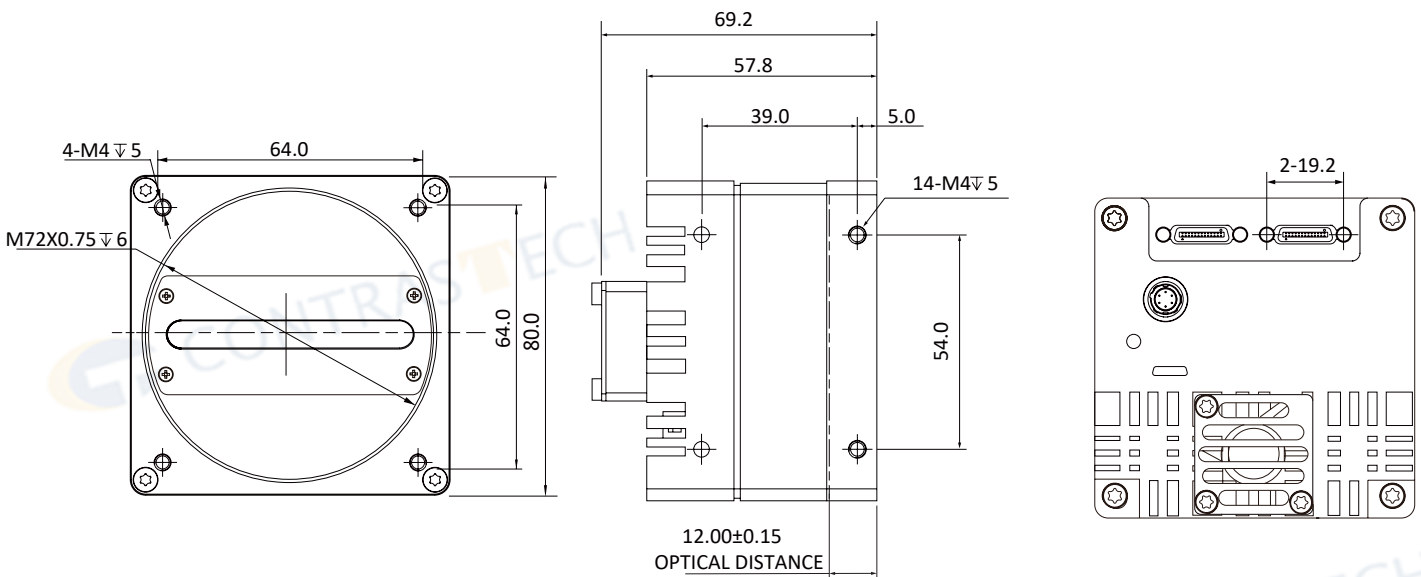
All product specifications are certified accurate at time of printing.
Latest specifications and availability can be found on our website www.contrastech.com.

MARS SERIES CAMERAS

Camera	Mars8004G-L100cm	Mars8006G-L34cc
Image Format	Mono: Mono8/10 Color: RGB8	
Programmable Control (ISP)	Image Resolution, RGB gain, Exposure Time, Contrast, Gamma Chart, Image Rollover, Raw, LUT, Black Level Correction	
Housing Size	80.0 × 80.0 × 57.8 mm (520g)	
Operating Temperature	-30~80 ° C (Storage), -30~50° C (Working)	
Lens Mount	M72*0.75, BFL 12 mm	
Digital I/O	CameraLink interface for camera control and data transfer; supports Base/Medium/Full/Deca mode	
TDI	Mono: Support 2-TDI , 4-TDI Color: Support 2-TDI	
Power Input	Power Supply via 6-pin Port, DC24V	
Driver	Mars Series Camera Software Suite or 3rd Party Cameralink Protocol Software	
Operating System	Windows	
Conformity	Cameralink, GenICam	

Dimension (in mm)

80x80x57.8mm

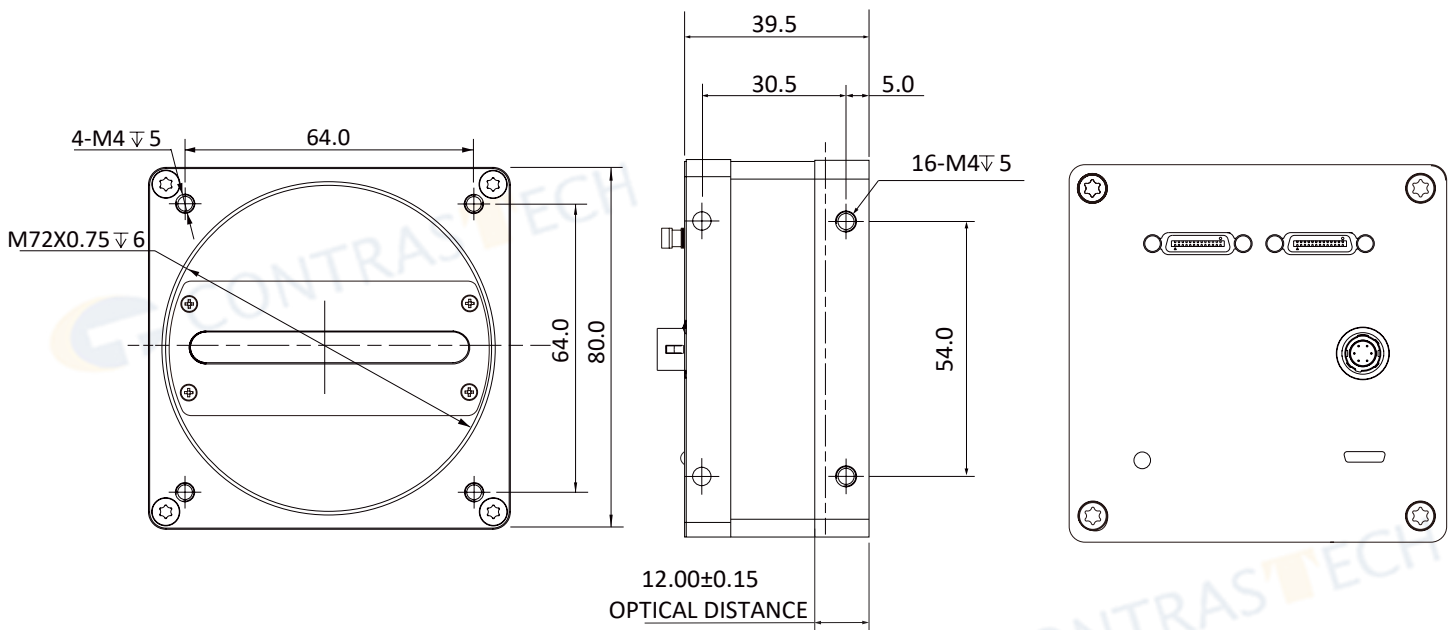


All product specifications are certified accurate at time of printing.
Latest specifications and availability can be found on our website www.contrasttech.com.

Camera	Mars16001-L50cm
Image Format	Mono8/10
Programmable Control (ISP)	Image Resolution, Exposure Time, Contrast, Gamma Chart, Image Rollover, Raw, LUT, Black Level Correction
Housing Size	80.0 × 80.0 × 39.5 mm (360g)
Operating Temperature	-30~80 ° C (Storage), -30~50° C (Working)
Lens Mount	M72*0.75, BFL 12 mm
Digital I/O	CameraLink interface for camera control and data transfer; supports Base/Medium/Full/Deca mode
Power Input	Power Supply via 6-pin Port, DC12~24V
Driver	Mars Series Camera Software Suite or 3rd Party Cameralink Protocol Software
Operating System	Windows
Conformity	Cameralink, GenICam

Dimension (in mm)

80x80x39.5mm



All product specifications are certified accurate at time of printing.
 Latest specifications and availability can be found on our website www.contrasttech.com.

Cables (GigE)

ContrasTech’s high-quality GigE-compliant cables offer a robust interface for reliable high-speed data transmission. Camera-end locking screws ensure a secure interface despite the shocks and vibrations common to industrial environments. Available in 3, 5 and 10 meter lengths, these cables are a cost-effective solution for your machine vision application.

- GigE standard compliant
- Simple integration into image processing applications
- Camera-end locking screws
- 3, 5 and 10 m lengths available
- Low-cost GigE cable

Product Code	Connects...	To...	Length
VT-NET-3LK(CAB)	RJ45(with locking stud)	RJ45	3M
VT-NET-5LK(CAB)	RJ45(with locking stud)	RJ45	5M
VT-NET-10LK(CAB)	RJ45(with locking stud)	RJ45	10M
VT-Hirose6-7-0.5M	HRS 6pin	Open	0.5M
VT-Hirose12-13-0.5M	HRS 12pin	Open	0.5M



Cables (Cameralink)

The length of ContrasTech’s Cameralink cables covers 3m to a maximum of 15m, meeting the requirements for use in different scenarios. The data transmission is stable, even at the maximum length, the transmission capacity also maintains high stability.

- Cameralink standard compliant
- Simple integration into image processing applications
- Divided into SDR or MDR interface[For Cameralink Cables]
- 3, 5 ,10 and 15 m lengths available[Other lengths specifications please contact sales]
- Support PoCL

Product Code	Connects...	To...	Length	Type
VT-CL-3M	SDR	SDR/MDR	3M	Cameralink
VT-CL-5M	SDR	SDR/MDR	5M	Cameralink
VT-CL-10M	SDR	SDR/MDR	10M	Cameralink



All product specifications are certified accurate at time of printing. Latest specifications and availability can be found on our website www.contrastech.com.

Vision And More Available

让工业更智能，让视觉更简单！



SWIR Camera
Industrial Camera



Macro Lens
Industrial Lens



Microscope



System Solution
No-programming Software



CONTRASTECH

Hangzhou Contrastech Co., Ltd.

Tel: 86-571-89712238

www.contrastech.com



VER 2022.07