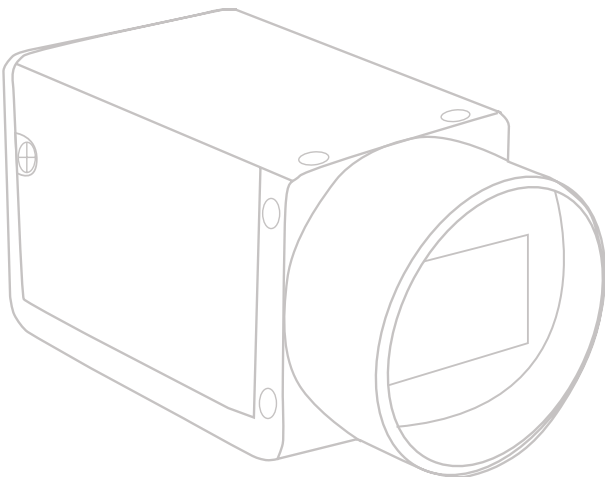


Mars Series Cameras

- Outstanding price-performance ratio
- USB3.0 / GigE / CameraLink / CoaXPress optional
- Optional pixels: VGA to 150MP
- Extensive sensor selection



Main Features

- Resolution from VGA to 25MP for various applications.
- Adopts GigE interface and max. transmission distance of 100 meters without relay
- Compatible with GigE Vision Protocol, GenICam Standard
- Support Windows、Linux
- Up to 128 MB local memory for burst transmission and retransmission

Applications

- Defect Detection
- Surface Patch Detection
- Visual Positioning
- Size Measuring
- QR Code Reading
- VR/AR

Specifications



Model	Sensor (ON Semiconductor)	Sensor Technology	Sensor Size (optical)	Pixel Size (µm)	Resolution (H*V)	Frame Rate (Max. fps)	Interface
Mars640-120gm/gc	PYTHON 300	CMOS, Global	1/4"	4.8 × 4.8	640 x 480	120	GigE, PoE
Mars640-300gm/gc	PYTHON 300	CMOS, Global	1/4"	4.8 × 4.8	640 x 480	300	GigE, PoE
Mars800-120gm-NP	PYTHON 480	CMOS, Global	1/3.6"	4.8 × 4.8	800 x 600	120	GigE
Mars800-120gm/gc	PYTHON 480	CMOS, Global	1/3.6"	4.8 × 4.8	800 x 600	120	GigE, PoE
Mars800-200gm/gc	PYTHON 500	CMOS, Global	1/3.6"	4.8 × 4.8	800 x 600	200	GigE, PoE
Mars1200H-30gm/gc	Sharp RJ33J4	CCD, Global	1/3"	3.75 × 3.75	1280 x 960	30	GigE, PoE
Mars1300-60gm-NP	PYTHON 1300	CMOS, Global	1/2"	4.8 × 4.8	1280 x 1024	60	GigE
Mars1300-60gm/gc	PYTHON 1300	CMOS, Global	1/2"	4.8 × 4.8	1280 x 1024	60	GigE, PoE
Mars1300P-90gm/gc/NIR	PYTHON 1300	CMOS, Global	1/2"	4.8 × 4.8	1280 x 1024	90	GigE, PoE
Mars2000-50gm/gc/NIR	PYTHON 2000	CMOS, Global	2/3"	4.8 × 4.8	1920 x 1200	50	GigE, PoE
Mars5000-20gm/gc/NIR	PYTHON 5000	CMOS, Global	1"	4.8 × 4.8	2592 x 2048	20	GigE, PoE
Mars3800A-10gm	Aptina MT9J003	CMOS, Rolling	1/2.3"	1.67 × 1.67	3840 x 2748	10	GigE, PoE
Mars8000X-13gm	XGS8000	CMOS, Global	1/1.1"	3.2 × 3.2	4096 x 2160	13	GigE, PoE
Mars4096X-9gm	XGS12000	CMOS, Global	1"	3.2 × 3.2	4096 x 3072	9	GigE, PoE

Camera	
Image Format	Monochrome: Mono8/10/10packed Color: Mono8, BayerRG8/10/10packed,RGB8packed, YUV422packed
Programmable Control (ISP)	Image Resolution, RGB gain, Exposure Time, Contrast, Gamma Chart, Image Rollover, Raw, LUT, Black Level Correction
Housing Size (L*W*H)	42.0 mm × 29.0 mm × 29.0 mm (88g)
Operating Temperature	-30~80 °C (Storage), -30~50° C (Working)
Lens Mount	C-Mount
Digital I/O	Opto-isolated input x 1, opto-isolated output x 1, and bi-directional custom non-isolated I/O x 1
Power Input	DC6~24V
Driver	Mars Series Camera Software Suite or 3rd party GigE Vision Software
Operating System	Windows, Linux
Conformity	GigE Vision, GenICam

NIR = Near Infrared Enhanced
NP = Non-power Over Ethernet

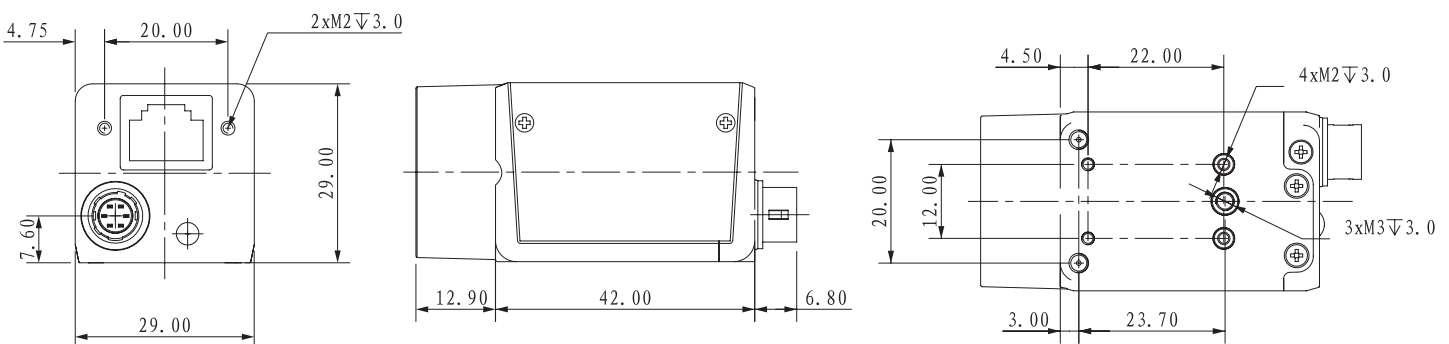
Specifications

Model	Sensor (SONY)	Sensor Technology	Sensor Size (optical)	Pixel Size (μm)	Resolution (H*V)	Frame Rate (Max. fps)	Interface
Mars720S-300gm/gc	IMX287	CMOS, Global	1/2.9"	6.9 × 6.9	720 × 540	300	GigE, PoE
Mars1300S-85gm/gc	/	CMOS, Global	1/2.7"	4.0 × 4.0	1280 × 1024	85	GigE, PoE
Mars1440S-77gm/gc	IMX273	CMOS, Global	1/2.9"	3.45 × 3.45	1440 × 1080	77	GigE, PoE
Mars1760S-66gm/gc-Lite	IMX432	CMOS, Global	1.1"	9.0 × 9.0	1604 × 1100	66	GigE, PoE
Mars2000S-22gm/gc	IMX290	CMOS, Rolling	1/2.8"	2.9 × 2.9	1920 × 1080	22	GigE, PoE
Mars2000S-60gm/gc	IMX430	CMOS, Global	1/1.7"	4.5 × 4.5	1624 × 1240	56	GigE, PoE
Mars2300S-40gm/gc	IMX249	CMOS, Global	1/1.2"	5.86 × 5.86	1920 × 1200	39	GigE, PoE
Mars3000S-35gm/gc	IMX265	CMOS, Global	1/1.8"	3.45 × 3.45	2048 × 1536	36	GigE, PoE
Mars5000S-20gm/gc	IMX264	CMOS, Global	2/3"	3.45 × 3.45	2448 × 2048	20	GigE, PoE
Mars5000S-24gcp	IMX250MZR	CMOS, Global	2/3"	3.45 × 3.45	2448 × 2048	24	GigE, PoE
Mars6000S-18gm-NP	IMX178	CMOS, Rolling	1/1.8"	2.4 × 2.4	3072 × 2048	18	GigE
Mars6000S-18gm/gc	IMX178	CMOS, Rolling	1/1.8"	2.4 × 2.4	3072 × 2048	18	GigE, PoE
Mars4096S-13gm/gc	SONY IMX267	CMOS, Global	1"	3.45 × 3.45	4096 × 2160	13	GigE, PoE
Mars4072S-9gm/gc	IMX226	CMOS, Rolling	1/1.7"	1.85 × 1.85	4000 × 3000	9	GigE, PoE
Mars5470S-5gm/gc	IMX183	CMOS, Rolling	1"	2.4 × 2.4	5472 × 3648	5.8	GigE, PoE

Camera	
Image Format	Monochrome: Mono8/10/10Packed/12/12Packed Color: Mono8,BayerRG8/10/10Packed/12/12Packed,BayerGB8/10/10Packed/12/12Packed,YUV422Packed
Programmable Control (ISP)	Image Resolution, RGB gain, Exposure Time, Contrast, Gamma Chart, Image Rollover, Raw, LUT, Black Level Correction
Housing Size (L*W*H)	42.0 × 29.0 × 29.0 mm (88g) [Mars4096S-13gm/gc] 29.0 × 44.0 × 58.0 mm (100g)
Operating Temperature	-30~80 ° C (Storage), -30~50° C (Working)
Lens Mount	C-Mount
Digital I/O	Opto-isolated input x 1, opto-isolated output x 1, and bi-directional custom non-isolated I/O x 1
Power Input	DC6~24V
Driver	Mars Series Camera Software Suite or 3rd party GigE Vision Software
Operating System	Windows, Linux
Conformity	GigE Vision, GenICam

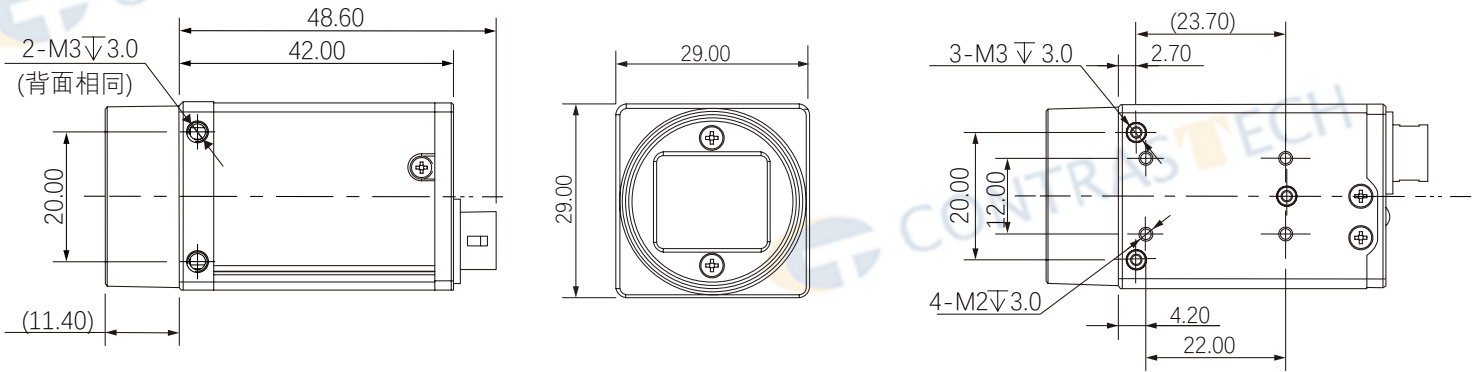
Dimension (in mm)

With PoE: 42x29x29mm

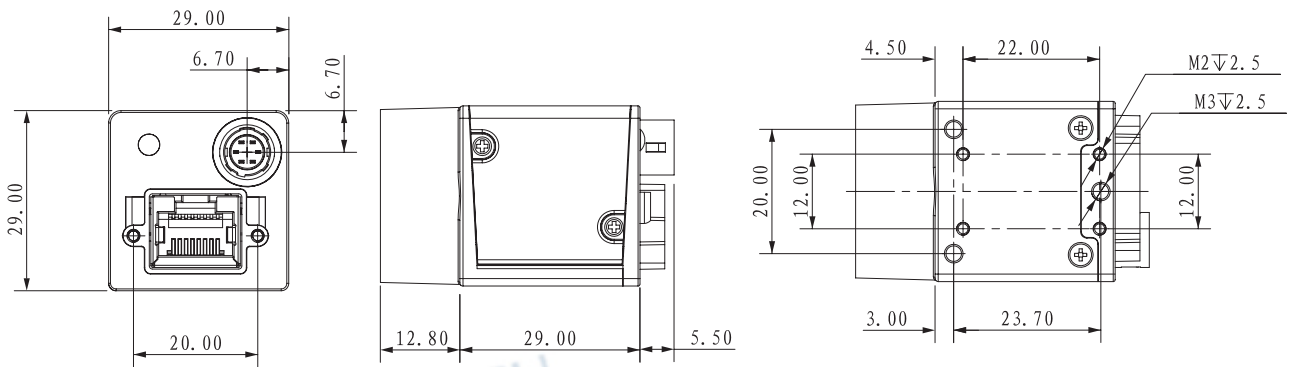


Dimension (in mm)

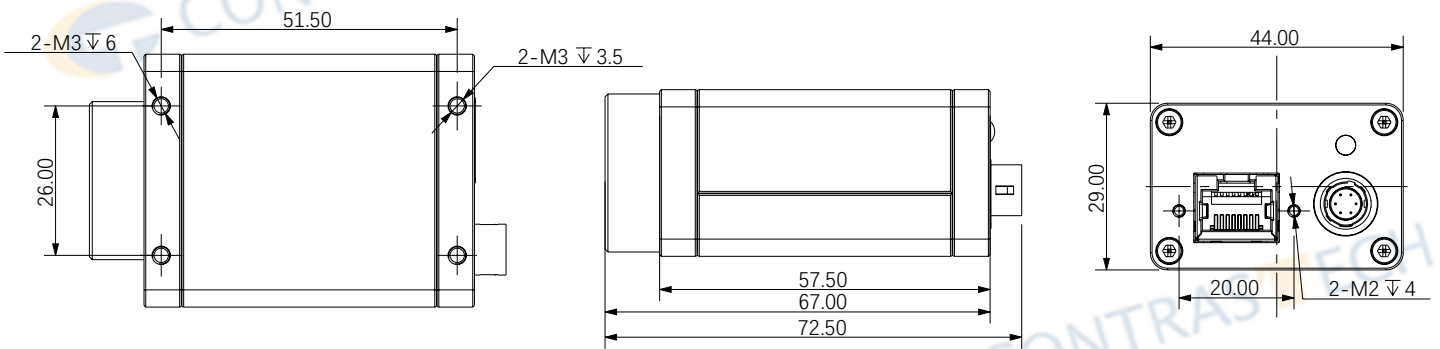
With PoE: 42x29x29mm



Without PoE: 29x29x29mm



29x44x58mm



All product specifications are certified accurate at time of printing.
 Latest specifications and availability can be found on our website www.contrastech.com.

Main Features

- Resolution from 12MP to 65MP for various applications.
- Adopts 10GigE interface, compatible with GigE and max. transmission distance of 100 meters without relay
- Compatible with GigE Vision Protocol, GenICam Standard
- Support Windows、Linux
- Up to 1 GB local memory for burst transmission and retransmission

Applications

- Defect Detection
- Surface Patch Detection
- Visual Positioning
- Size Measuring
- QR Code Reading
- VR/AR

Specifications

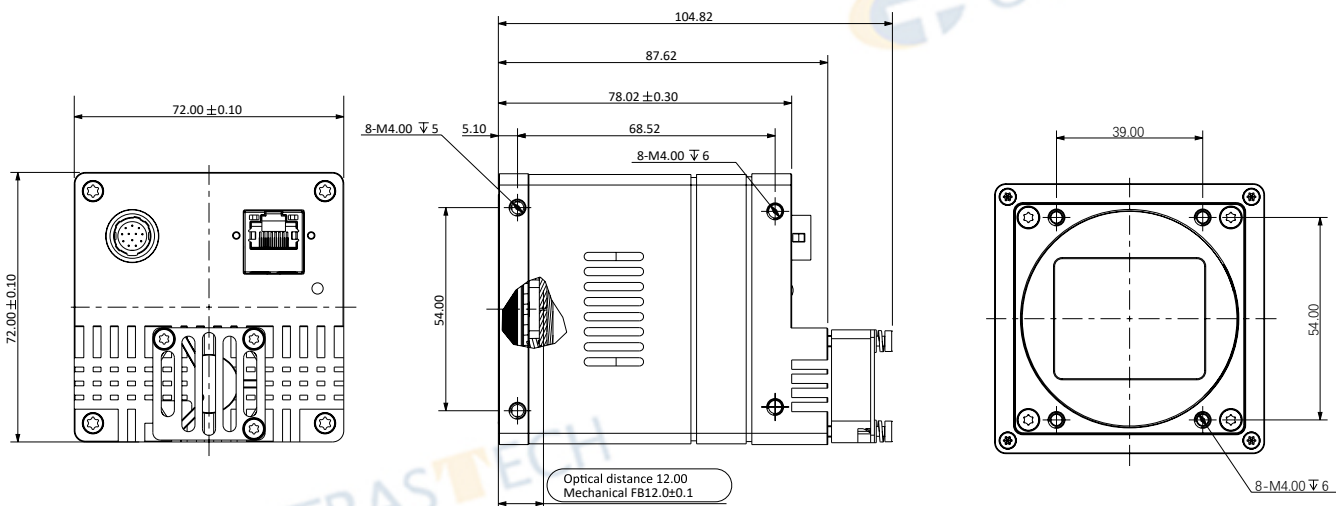


Model	Sensor	Sensor Technology	Sensor Size (optical)	Pixel Size (μm)	Resolution (H*V)	Frame Rate (Max. fps)	Interface
Mars12MS-68Tgc	SONY IMX253	CMOS, Global	1.1"	3.45 x 3.45	4096 x 3000	68	10GigE
Mars25MP-43Tgm/Tgc	Onsemi Python25K	CMOS, Global	23.0 x 23.0	4.5 x 4.5	5120 x 5120	43	10GigE
Mars65MG-18Tgm/Tgc	GMAX3265	CMOS, Global	29.9 x 22.4	3.2 x 3.2	9344 x 7000	17.4	10GigE

Camera	Mars12MS-68Tgc	Mars25MP-43Tgm/Tgc	Mars65MG-18Tgm/Tgc
Image Format	Monochrome: Mono8/10/10Packed Color: BayerRG8/BayerGB8/BayerRG10/BayerGB10/BayerRG10Packed/BayerGB10Packed		Monochrome: Mono8 Color: BayerRG8/BayerGB8
Programmable Control (ISP)	Image Resolution, RGB gain, Exposure Time, Contrast, Gamma Chart, Image Rollover, Raw, LUT, Black Level Correction		
Housing Size (L*W*H)	72.0 x 72.0 x 78.0 mm (585g)		72.0 x 72.0 x 80.0 mm (600g)
Operating Temperature	-30~80 ° C (Storage), -30~50° C (Working)		
Lens Mount	M58, FBL 12		
Digital I/O	Opto-isolated input x 3,opto-isolated output x 3,RS232 x 1		
Power Input	DC24V		
Driver	Mars Series Camera Software Suite or 3rd party GigE Vision Software		
Operating System	Windows, Linux		
Conformity	GigE Vision, GenICam		

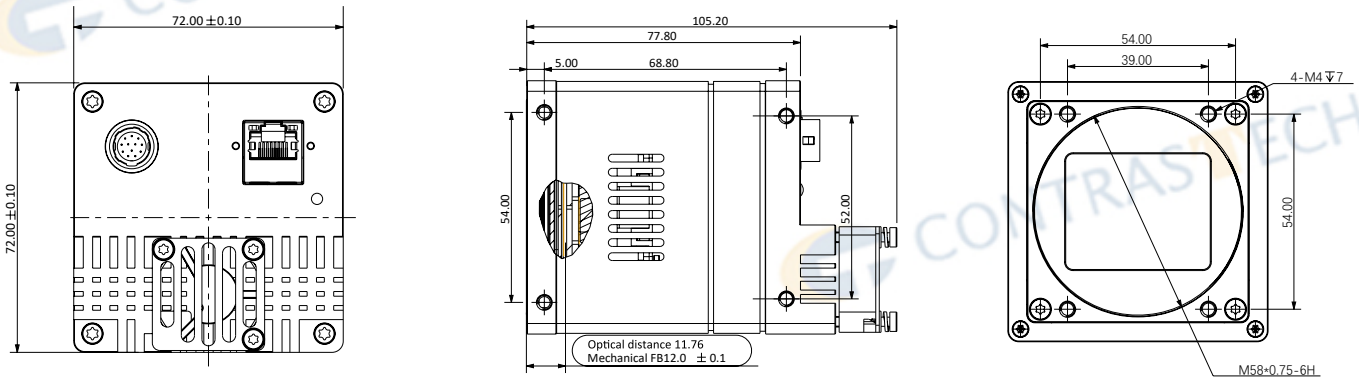
Dimension (in mm)

72x72x78mm——Mars12MS-68Tgc

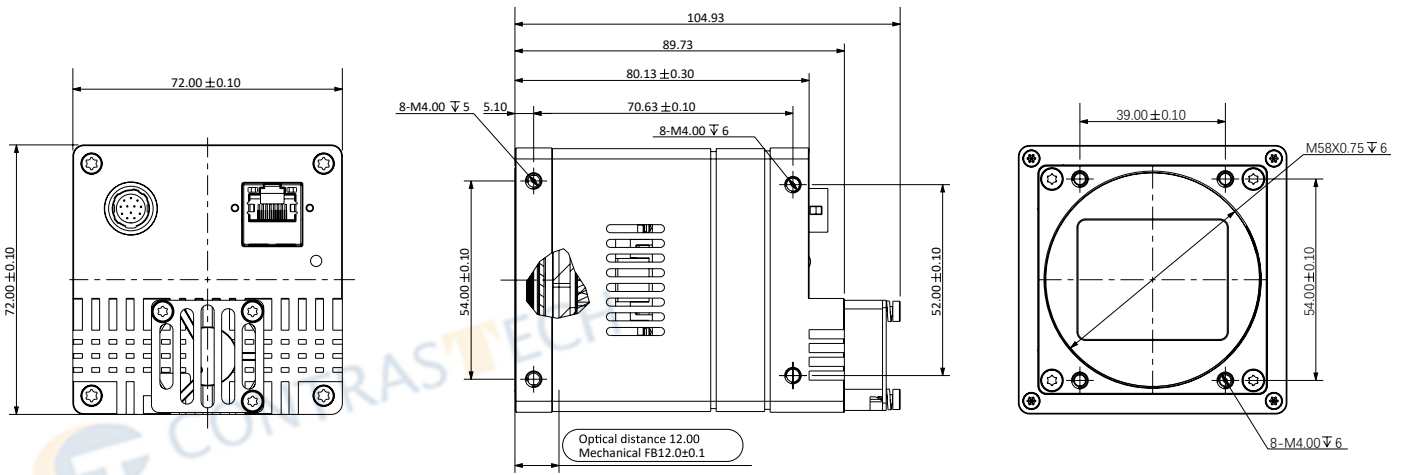


Dimension (in mm)

72x72x78mm — Mars25MP-43Tgm/Tgc



72x72x80mm — Mars25MP-43Tgm/Tgc



All product specifications are certified accurate at time of printing.
 Latest specifications and availability can be found on our website www.contrastech.com.

Main Features

- Resolution from VGA to 25MP for various applications
- USB 3.0 interface with plug and play capability, USB3.0 power supply
- Compatible with USB3.0 Vision Protocol, GenICam Standard
- Support Windows、Linux
- Up to 128 MB local memory for burst transmission and retransmission

Applications

- Defect Detection
- Surface Patch Detection
- Visual Positioning
- Size Measuring
- QR Code Reading
- VR/AR

Specifications

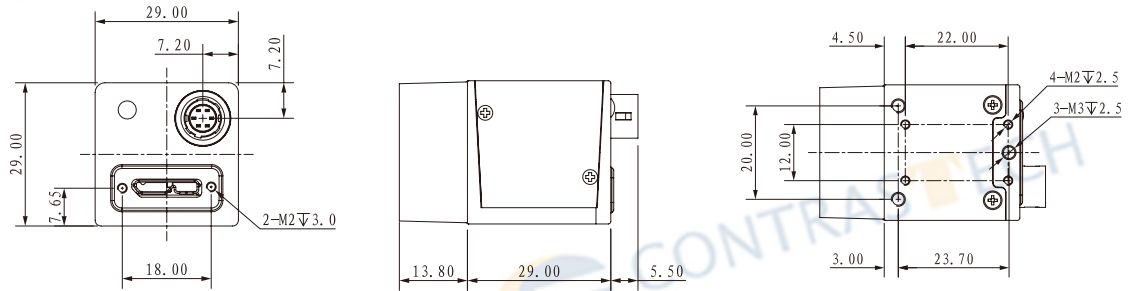


Model	Sensor	Sensor Technology	Sensor Size (optical)	Pixel Size (μm)	Resolution (H*V)	Frame Rate (Max. fps)	Interface
Mars640-815um/uc	Onsemi Python300	CMOS, Global	1/4"	4.8 x 4.8	640 x 480	815	USB3
Mars720S-440um/uc	SONY IMX287	CMOS, Global	1/2.9"	6.9 x 6.9	720 x 540	437	USB3
Mars800-545um/uc	Onsemi Python500	CMOS, Global	1/3.6"	4.8 x 4.8	800 x 600	545	USB3
Mars1200H-33um/uc	Sharp RJ33	CCD, Global	1/3"	3.75 x 3.75	1280 x 960	33	USB3
Mars1300-210um/uc	Onsemi Python1300	CMOS, Global	1/2"	4.8 x 4.8	1280 x 1024	210	USB3
Mars1300S-200um/uc	SS	CMOS, Global	1/2.7"	4.0 x 4.0	1280 x 1024	201	USB3
Mars2000S-120uc	SONY IMX290	CMOS, Rolling	1/2.8"	2.9 x 2.9	1920 x 1080	120	USB3
Mars2000-150um/uc	Onsemi Python2000	CMOS, Global	2/3"	4.8 x 4.8	1920 x 1200	150	USB3
Mars2300S-40um	SONY IMX249	CMOS, Global	1/1.2"	5.86 x 5.86	1920 x 1200	39.7	USB3
Mars2300S-160um/uc	SONY IMX174	CMOS, Global	1/1.2"	5.86 x 5.86	1920 x 1200	164	USB3
Mars3000S-120um/uc	SONY IMX252	CMOS, Global	1/1.8"	3.45 x 3.45	2048 x 1536	120	USB3
Mars4072S-30um/uc	SONY IMX226	CMOS, Rolling	1/1.7"	1.85 x 1.85	4000 x 3000	30	USB3
Mars4100-90um/uc	CMOSIS CMV4000	CMOS, Global	1"	5.5 x 5.5	2048 x 2048	90	USB3
Mars5000S-35um/uc-Lite	SONY IMX264	CMOS, Global	2/3"	3.45 x 3.45	2448 x 2048	35	USB3
Mars5000S-75um/uc	SONY IMX250	CMOS, Global	2/3"	3.45 x 3.45	2448 x 2048	75	USB3
Mars5000-60um/uc	Onsemi Python5000	CMOS, Global	1"	4.8 x 4.8	2592 x 2048	60	USB3
Mars6000S-60um/uc	SONY IMX178	CMOS, Rolling	1/1.8"	2.4 x 2.4	3072 x 2048	60	USB3
Mars4096S-32um/uc	SONY IMX267	CMOS, Global	1"	3.45 x 3.45	4096 x 2160	32	USB3
Mars4096S-40um/uc	SONY IMX255	CMOS, Global	1"	3.45 x 3.45	4096 x 2160	40	USB3
Mars5470S-18um/uc	SONY IMX183	CMOS, Rolling	1"	2.4 x 2.4	5472 x 3648	19.66	USB3

Camera	
Image Format	Monochrome: Mono8/10/10Packed Color: BayerRG8/10/10Packed,BayerGB8/10/10Packed
Programmable Control (ISP)	Image Resolution, RGB gain, Exposure Time, Contrast, Gamma Chart, Image Rollover, Raw, LUT, Black Level Correction
Housing Size (L*W*H)	29.0 x 29.0 x 29.0 mm (60g) [Mars4096S-32um/uc;Mars4096S-40um/uc] 29.0 x 44.0 x 58.0 mm (100g)
Operating Temperature	-30~80 ° C (Storage), -30~50° C (Working)
Lens Mount	C-Mount
Digital I/O	Opto-isolated input x 1, opto-isolated output x 1, and bi-directional custom non-isolated I/O x 1
Power Input	DC6~24V, Supporting USB
Driver	Mars Series Camera Software Suite or 3rd party USB3 Vision Software
Operating System	Windows, Linux
Conformity	USB3 Vision,GenICam

Dimension (in mm)

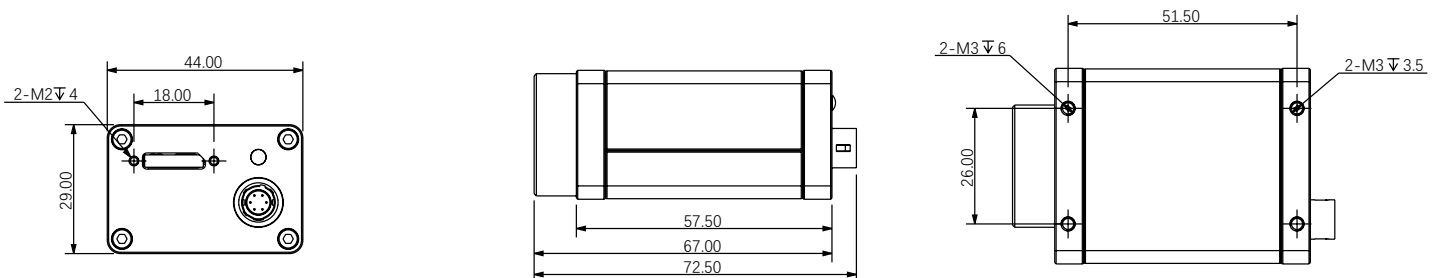
29x29x29mm



Model	Sensor	Sensor Technology	Sensor Size (optical)	Pixel Size (μm)	Resolution (H*V)	Frame Rate (Max. fps)	Interface
Mars12MS-23um/uc	SONY IMX304	CMOS, Global	1.1"	3.45 x 3.45	4096 x 3000	23	USB3
Mars12MS-30um/uc	SONY IMX253	CMOS, Global	1.1"	3.45 x 3.45	4096 x 3000	30	USB3
Mars25MG-14um/uc	GMAX0505	CMOS, Global	1.1"	2.5 x 2.5	5120 x 5120	14	USB3
Camera							
Image Format	Monochrome: Mono8/10/10Packed Color: BayerRG8/10/10Packed, BayerGB8/10/10Packed						
Programmable Control (ISP)	Image Resolution, RGB gain, Exposure Time, Contrast, Gamma Chart, Image Rollover, Raw, LUT, Black Level Correction						
Housing Size (L*W*H)	29.0 mm × 44.0 mm × 58.0 mm (100g)						
Operating Temperature	-30~80 ° C (Storage), -30~50° C (Working)						
Lens Mount	C-Mount						
Digital I/O	Opto-isolated input x 1, opto-isolated output x 1, and bi-directional custom non-isolated I/O x 1						
Power Input	DC6~24V, Supporting USB						
Driver	Mars Series Camera Software Suite or 3rd party USB3 Vision Software						
Operating System	Windows, Linux						
Conformity	USB3 Vision, GenICam						

Dimension (in mm)

29x44x58mm



All product specifications are certified accurate at time of printing.
Latest specifications and availability can be found on our website www.contrastech.com.

Main Features

- Resolution from 1.3MP to 12MP for various applications
- Available in single board, C-mount, CS-mount, M12-mount
- Compatible with GigE/USB3.0 Vision Protocol, GenICam Standard
- Support Windows, Linux
- Up to 128 MB local memory for burst transmission and retransmission

Applications

- Defect Detection
- Surface Patch Detection
- Visual Positioning
- Size Measuring
- QR Code Reading
- VR/AR

Specifications

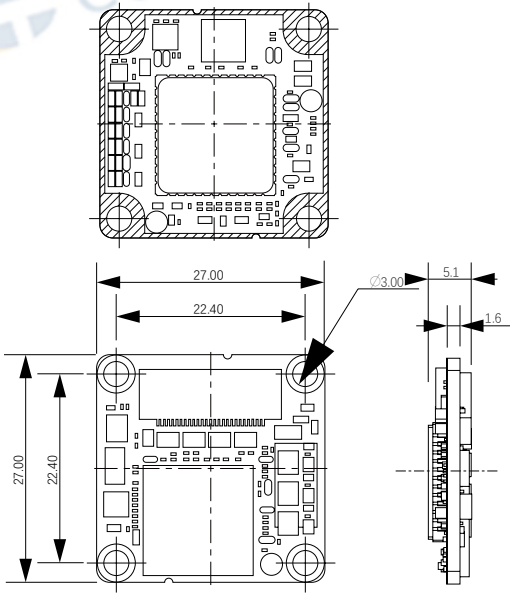


Model	Sensor	Sensor Technology	Sensor Size (optical)	Pixel Size (µm)	Resolution (H*V)	Frame Rate (Max. fps)	Interface
Mars1300-60gm-BL	Onsemi Python1300	CMOS,Global	1/2"	4.8 x 4.8	1280 x 1024	60	HCON
Mars5000S-30gm/gc-BL	SONY IMX264	CMOS,Global	2/3"	3.45 x 3.45	2448 x 2048	30	HCON
Mars6000-25gm-BL	SONY IMX178	CMOS,Rolling	1/1.8"	2.4 x 2.4	3072 x 2048	25	HCON
Mars800-120gm-BC-CS	Onsemi Python480	CMOS,Global	1/3.6"	4.8 x 4.8	800 x 600	120	GigE
Mars6000-18gm-BC	SONY IMX178	CMOS,Rolling	1/1.8"	2.4 x 2.4	3072 x 2048	18	GigE
Mars1300-60gm-BC-CS	Onsemi Python1300	CMOS,Global	1/2"	4.8 x 4.8	1280 x 1024	60	GigE
Mars3800-10gm-BC-CS	Aptina MT9J003	CMOS,Global	1/2.3"	1.67 x 1.67	3840 x 2748	10	GigE
Mars1300S-201um-BC	SS	CMOS,Global	1/2.7"	4.0 x 4.0	1280 x 1024	201	USB3
Mars1300-208um-BC	Onsemi Python1300	CMOS,Global	1/2"	4.8 x 4.8	1280 x 1024	208	USB3
Mars6000-60um/uc-BC	Sony IMX178	CMOS,Rolling	1/1.8"	2.4 x 2.4	3072 x 2048	60	USB3
Mars6000S-60uc-BS	Sony IMX178	CMOS,Rolling	1/1.8"	2.4 x 2.4	3072 x 2048	60	USB3
Mars4000S-30um/uc-BC	Sony IMX226	CMOS,Rolling	1/1.7"	1.85 x 1.85	4000 x 3000	30	USB3

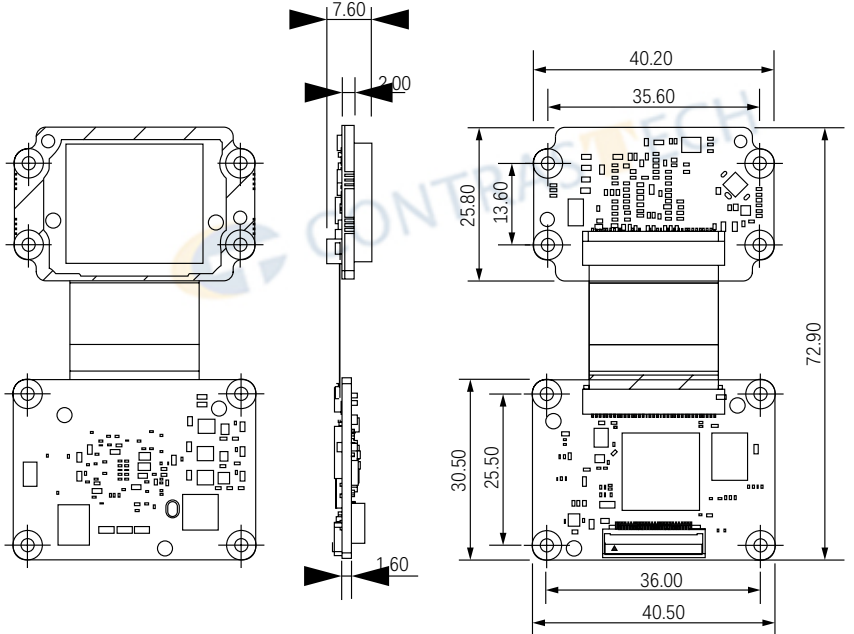
Camera	Mars1300-60gm-BL Mars6000-25gm-BL	Mars5000S-30gm/gc-BL	Mars800-120gm-BC-CS Mars1300-60gm-BC-CS Mars3800-10gm-BC-CS	Mars6000-18gm-BC
Image Format	Monochrome: Mono8 Color: Mono8/BayerRG8		Mono8/10/10Packed	Mono8/10/10Packed/ 12/12Packed
Programmable Control (ISP)	Image Resolution, RGB gain, Exposure Time, Contrast, Gamma Chart, Image Rollover, Raw, LUT, Black Level Correction			
Housing Size (L*W*H)	27.0 x 27.0 (15g)	26.0 x 40.0 mm (15g)	55.0 x 55.0 x 14.0 (60g)	
Operating Temperature	-30~80 ° C (Storage), -30~50° C (Working)			
Lens Mount	/		CS-Mount	C-Mount
Digital I/O	1 differential input; 1 I2C interface; 2 outputs which can be decoded from LVDS serial data		8 pin socket interface: 1 Opto-isolated input, 1 Opto-isolated output,1 output without opto isolation	
Power Input	DC5V power supply through Hirose connector		DC6V~24V power supply through 8 pin Socket connector	
Driver	Mars Series Camera Software Suite (iCentral) or 3rd party GenICam Standard Software		Mars Series Camera Software Suite (iCentral) or 3rd party GigE Vision Software	
Operating System	Windows, Linux			
Conformity	GenICam		GigE Vision,GenICam	

Dimension (in mm)

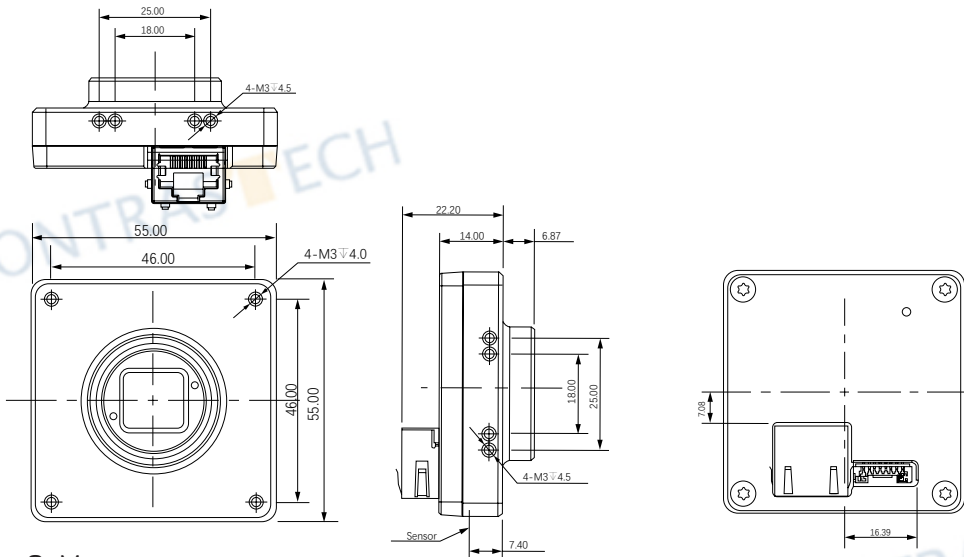
27x27mm



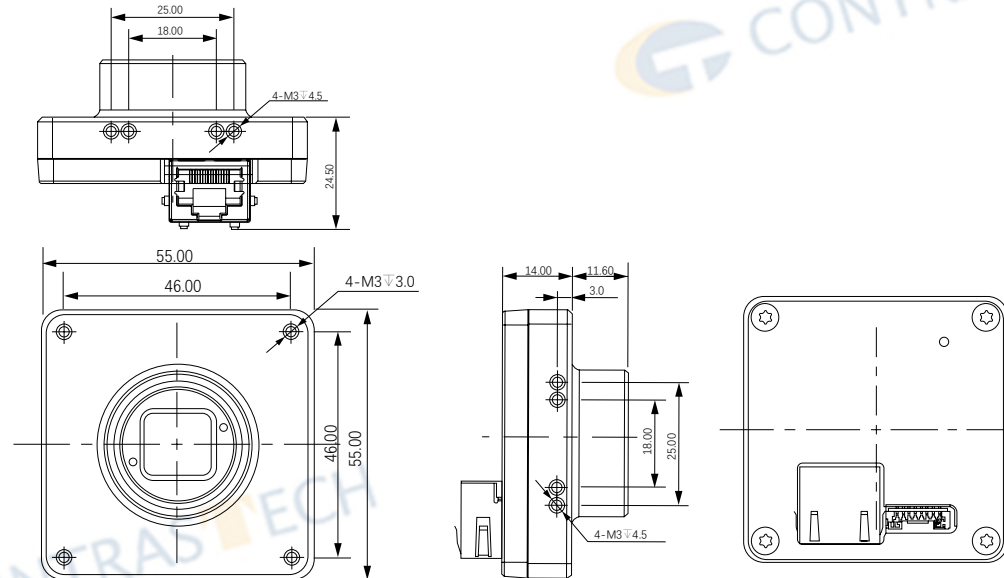
26x40mm



55x55x14mm — CS-Mount



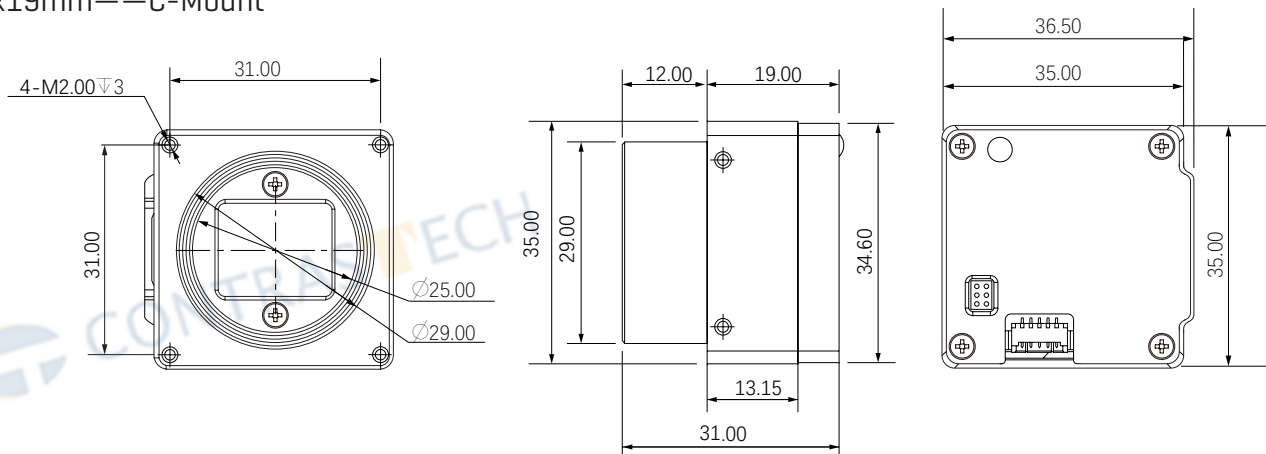
55x55x14mm — C-Mount



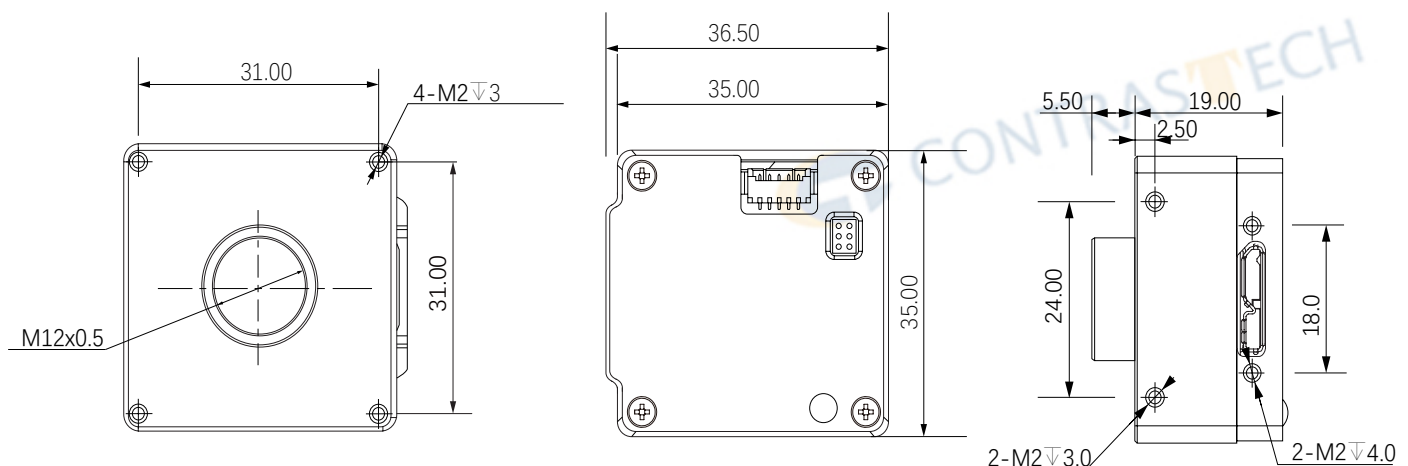
Camera	Mars1300-201um-BC Mars1300-208um-BC Mars4000S-30um/uc-BC Mars6000-60um/uc-BC	Mars6000S-60uc-BS
Image Format	Monochrome: Mono8/10/10Packed Color: BayerRG8/10/10Packed, BayerGB8/10/10Packed	
Programmable Control (ISP)	Image Resolution, RGB gain, Exposure Time, Contrast, Gamma Chart, Image Rollover, Raw, LUT, Black Level Correction	
Housing Size (L*W*H)	35.0 × 35.0 × 19.0 (46g)	35.0 × 35.0 × 19.0 (46g)
Operating Temperature	-30~80 ° C (Storage), -30~50° C (Working)	
Lens Mount	C-Mount	M12-Mount
Digital I/O	5 pin trigger connector: Opto-isolated input x1, Opto-isolated output x1,configurable input and output x1	
Power Input	DC 5V, Supporting USB	
Driver	Mars Series Camera Software Suite or 3rd party USB3 Vision Software	
Operating System	Windows, Linux	
Conformity	USB3 Vision,GenlCam	

Dimension (in mm)

35x35x19mm—C-Mount



35x35x19mm—M12-Mount



All product specifications are certified accurate at time of printing.
Latest specifications and availability can be found on our website www.contrastech.com.

Main Features

- Resolution from 1.3MP to 12MP for various applications
- Available in single board, C-mount, CS-mount, M12-mount
- Compatible with GigE/USB3.0 Vision Protocol, GenICam Standard
- Support Windows、Linux
- Up to 128 MB local memory for burst transmission and retransmission

Applications

- Defect Detection
- Surface Patch Detection
- Visual Positioning
- Size Measuring
- QR Code Reading
- VR/AR

Specifications

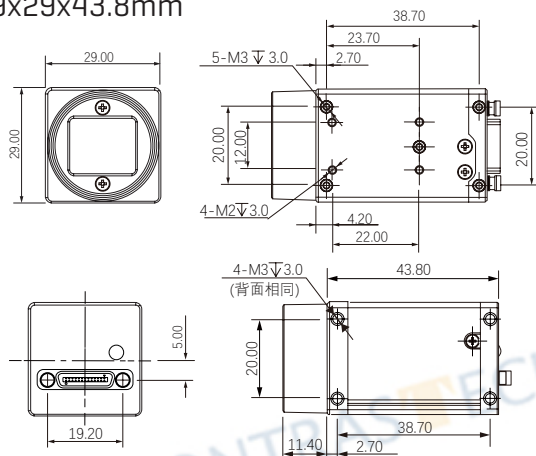


Model	Sensor	Sensor Technology	Sensor Size (optical)	Pixel Size (μm)	Resolution (H*V)	Frame Rate (Max. fps)	Interface
Mars720S-350cm/cc	SONY IMX287	CMOS,Global	1/2.9"	6.9 x 6.9	720 x 540	349.4	CameraLink
Mars2000P-38cm/cc	Onsemi Python2000	CMOS,Global	2/3"	4.8 x 4.8	1920 x 1200	37.8	CameraLink
Mars3000S-188cm	SONY IMX252	CMOS,Global	1/1.8"	3.45 x 3.45	2048 x 1536	188	CameraLink
Mars5000S-30cm	SONY IMX264	CMOS,Global	2/3"	3.45 x 3.45	2448 x 2048	30.2	CameraLink
Mars5000S-33cm	SONY IMX264	CMOS,Global	2/3"	3.45 x 3.45	2448 x 2048	33.2	CameraLink
Mars5000S-37cm	SONY IMX264	CMOS,Global	2/3"	3.45 x 3.45	2448 x 2048	37.27	CameraLink
Mars5000S-150cm/cc	SONY IMX250	CMOS,Global	2/3"	3.45 x 3.45	2448 x 2048	150	CameraLink
Mars4096X-18cm	XGS12000	CMOS,Global	1"	3.2 x 3.2	4096 x 3072	18	CameraLink
Mars4096X-56cm	XGS12000	CMOS,Global	1"	3.2 x 3.2	4096 x 3072	56	CameraLink

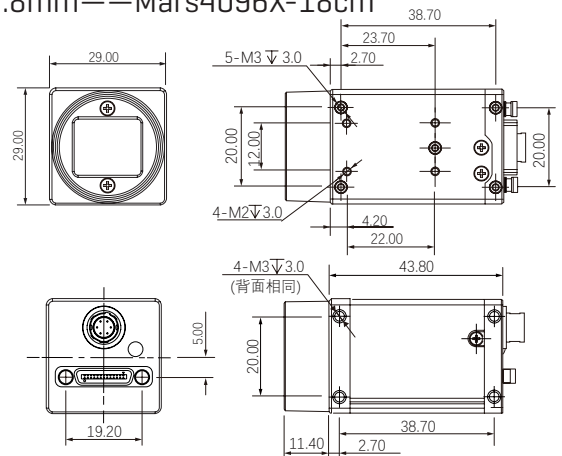
Camera	Mars720S-350cm/cc	Mars2000P-38cm/cc	Mars5000S-30cm	Mars4096X-18cm
Image Format	Monochrome: Mono8/10 Color: BayerRG8/10			
Programmable Control (ISP)	Image Resolution, RGB gain, Exposure Time, Contrast, Gamma Chart, Image Rollover, Raw, LUT, Black Level Correction			
Housing Size (L*W*H)	29.0 mm × 29.0 mm × 43.8 mm (80g)			
Operating Temperature	-30~80 ° C (Storage), -30~50° C (Working)			
Lens Mount	C-Mount			
Digital I/O	Opto-isolated input x 1, opto-isolated output x 1, and bi-directional custom non-isolated I/O x 1			
Power Input	DC6~24V			
Driver	Mars Series Camera Software Suite (iCentral) or 3rd Party Cameralink Protocol Software			
Operating System	Windows			
Conformity	Cameralink, GenICam			

Dimension (in mm)

29x29x43.8mm



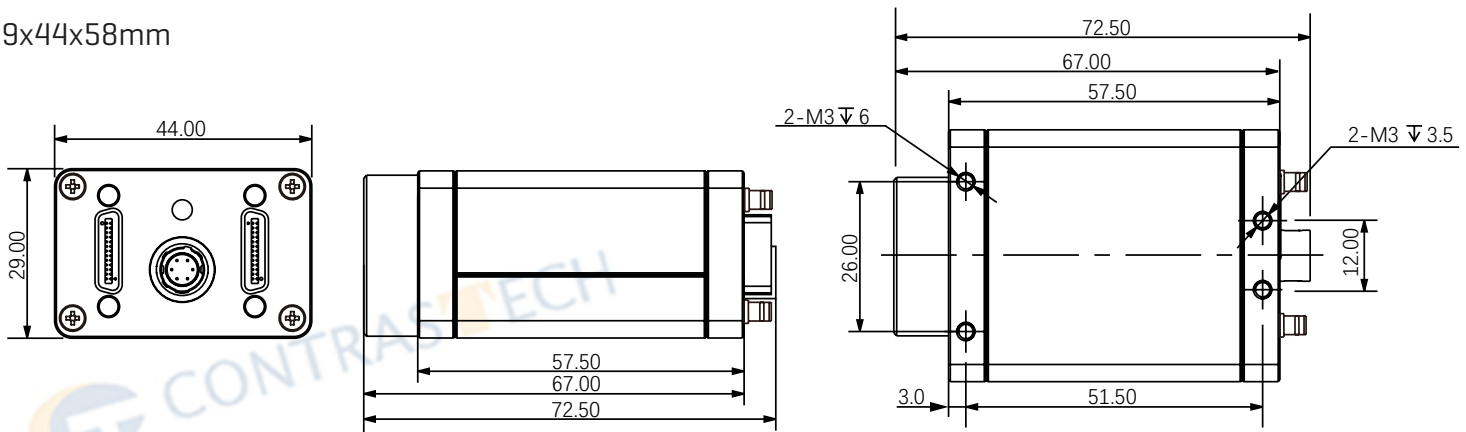
29x29x43.8mm——Mars4096X-18cm



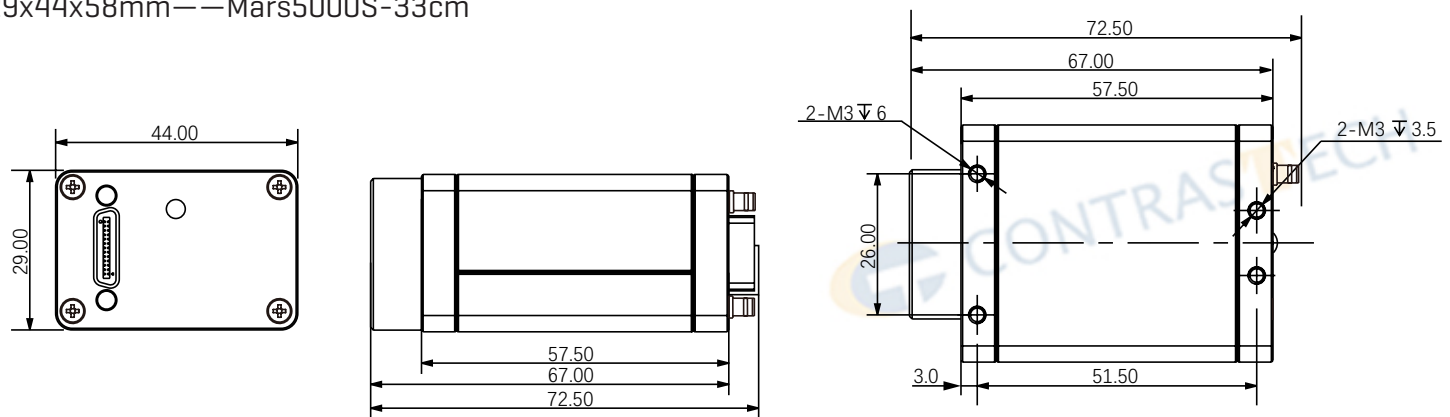
Camera	Mars3000S-188cm Mars5000S-37cm Mars5000S-150cm/cc Mars4096X-56cm	Mars5000S-33cm
Image Format	Monochrome: Mono8/10 Color: BayerRG8/10	
Programmable Control (ISP)	Image Resolution, RGB gain, Exposure Time, Contrast, Gamma Chart, Image Rollover, Raw, LUT, Black Level Correction	
Housing Size (L*W*H)	29.0 mm × 44.0 mm × 58 mm (100g)	
Operating Temperature	-30~80 ° C (Storage), -30~50° C (Working)	
Lens Mount	C-Mount	
Digital I/O	Opto-isolated input x 1, opto-isolated output x 1, and bi-directional custom non-isolated I/O x 1	
Power Input	DC6~24V	
Driver	Mars Series Camera Software Suite (iCentral) or 3rd Party Cameralink Protocol Software	
Operating System	Windows	
Conformity	Cameralink, GenICam	

Dimension (in mm)

29x44x58mm



29x44x58mm—Mars5000S-33cm



All product specifications are certified accurate at time of printing.
Latest specifications and availability can be found on our website www.contrastech.com.

Main Features

- Resolution from 7MP to 150MP for various applications
- Large area scan, high quality sensors
- Compatible with GigE/USB3 Vision/Cameralink/CoaXPress Protocol, GenICam Standard
- Support Windows, Linux
- Up to 256 MB local memory for burst transmission and retransmission

Applications

- Defect Detection
- Surface Patch Detection
- Visual Positioning
- Size Measuring
- QR Code Reading
- VR/AR

Specifications

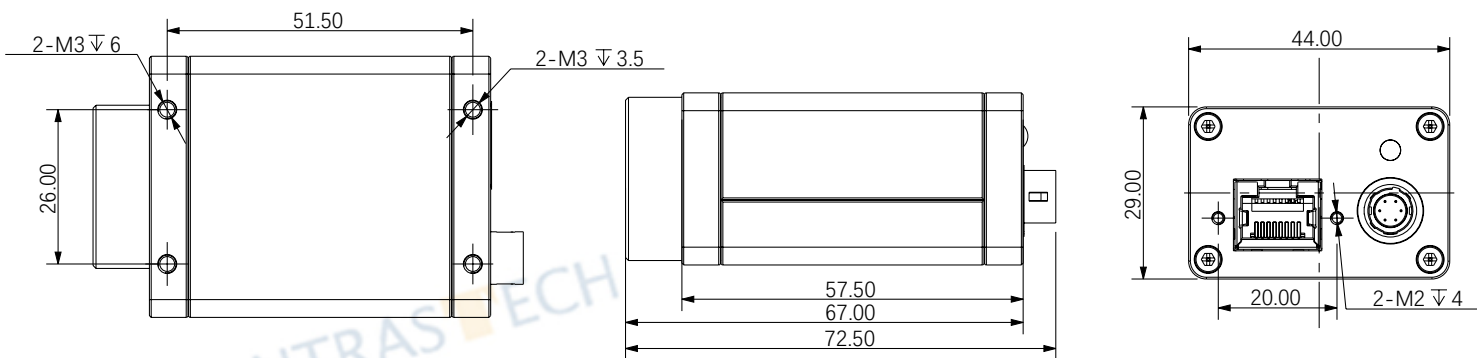


Model	Sensor	Sensor Technology	Sensor Size (optical)	Pixel Size (µm)	Resolution (H*V)	Frame Rate (Max. fps)	Interface
Mars1760S-66gm/gc	SONY IMX432	CMOS, Global	1.1"	9.0 × 9.0	1604 × 1100	66	GigE, PoE
Mars7MS-17gm/gc	SONY IMX428	CMOS, Global	1.1"	4.5 × 4.5	3208 × 2200	17	GigE
Mars4112S-9gm/gc	SONY IMX304	CMOS, Global	1.1"	3.45 × 3.45	4096 × 3000	9	GigE, PoE
Mars12MP-9gm/gc	Onsemi Python12K	CMOS, Global	4/3"	4.5 × 4.5	4096 × 3072	9	GigE
Mars25MP-4gm/gc	Onsemi Python25K	CMOS, Global	23.0 × 23.0	4.5 × 4.5	5120 × 5120	4	GigE
Mars25MG-4gm/gc	Gpixel	CMOS, Global	1.1"	2.5 × 2.5	5120 × 5120	4	GigE
Mars31MS-3gm/gc	SONY IMX342	CMOS, Global	22.3 × 16.6	3.45 × 3.45	6464 × 4852	3.6	GigE
Mars46MD-2gm/gc	/	CMOS, Global	29.9 × 16.0	3.2 × 3.2	9344 × 5000	2.6	GigE
Mars65MG-2gm	GMAX3265	CMOS, Global	29.9 × 22.4	3.2 × 3.2	9280 × 7000	1.7	GigE
Mars12MS-23um/uc	SONY IMX304	CMOS, Global	1.1"	3.45 × 3.45	4096 × 3000	23	USB3
Mars12MS-30um/uc	SONY IMX253	CMOS, Global	1.1"	3.45 × 3.45	4096 × 3000	30	USB3
Mars25MG-14um/uc	GMAX0505	CMOS, Global	1.1"	2.5 × 2.5	5120 × 5120	14	USB3
Mars12MS-20cm/cc	SONY IMX304	CMOS, Global	1.1"	3.45 × 3.45	4096 × 3000	20	CameraLink
Mars29MK-4cm ¹	Onsemi KAI29050	CMOS, Global	36.2 × 24.1	5.5 × 5.5	6576 × 4384	4.3	CameraLink
Mars31MS-25cm/cc	SONY IMX342	CMOS, Global	22.3 × 16.6	3.45 × 3.45	6464 × 4852	24.8	CameraLink
Mars46MD-18cm/cc	/	CMOS, Global	29.9 × 16.0	3.2 × 3.2	9280 × 4992	17.5	CameraLink
Mars65MG-13cm/cc	GMAX3265	CMOS, Global	29.9 × 22.4	3.2 × 3.2	9280 × 6992	12.5	CameraLink
Mars150MS-5cm	SONY IMX411	CMOS, Rolling	53.4 × 40.0	3.76 × 3.76	14160 × 10640	5.1	CameraLink
Mars12MC-188xm/xc ¹	CMV12000	CMOS, Global	22.5 × 16.9	5.5 × 5.5	4096 × 3072	188	CoaXPress
Mars25MG-90xm/xc	GMAX0505	CMOS, Global	23.0 × 23.0	4.5 × 4.5	5120 × 5120	90	CoaXPress
Mars25MG-150xm/xc ¹	GMAX0505	CMOS, Global	1.1"	2.5 × 2.5	5120 × 5120	150	CoaXPress
Mars46MD-44xm	/	CMOS, Global	29.9 × 16.0	3.2 × 3.2	9344 × 5000	44	CoaXPress
Mars50MC-30xm/xc ¹	CMV50000	CMOS, Global	36.4 × 37.6	4.6 × 4.6	7920 × 6004	30	CoaXPress
Mars65MG-31xm	GMAX3265	CMOS, Global	29.9 × 22.4	3.2 × 3.2	9280 × 6992	31	CoaXPress
Mars65MG-71xm	GMAX3265	CMOS, Global	29.9 × 22.4	3.2 × 3.2	9280 × 6992	71	CoaXPress
Mars150MS-6xm	SONY IMX411	CMOS, Rolling	53.4 × 40.0	3.76 × 3.76	14160 × 10640	6.1	CoaXPress

Camera	Mars1760S-66gm/gc	Mars7MS-17gm/gc	Mars4112S-9gm/gc	Mars25MG-4gm/gc
Image Format	Monochrome: Mono8/10/10Packed/12/12Packed Color: Mono8,BayerRGB/10/10Packed,BayerGB8/10/10Packed,YUV422Packed			
Programmable Control (ISP)	Image Resolution, RGB gain, Exposure Time, Contrast, Gamma Chart, Image Rollover, Raw, LUT, Black Level Correction			
Housing Size (L*W*H)	29.0 × 44.0 × 58.0 mm (100g)			
Operating Temperature	-30~80 ° C (Storage), -30~50° C (Working)			
Lens Mount	C-Mount			
Digital I/O	Opto-isolated input x 1, opto-isolated output x 1, and bi-directional custom non-isolated I/O x 1			
Power Input	DC 16-24V			
Driver	Mars Series Camera Software Suite or 3rd party GigE Vision Software			
Operating System	Windows, Linux			
Conformity	GigE Vision, GenICam			

Dimension (in mm)

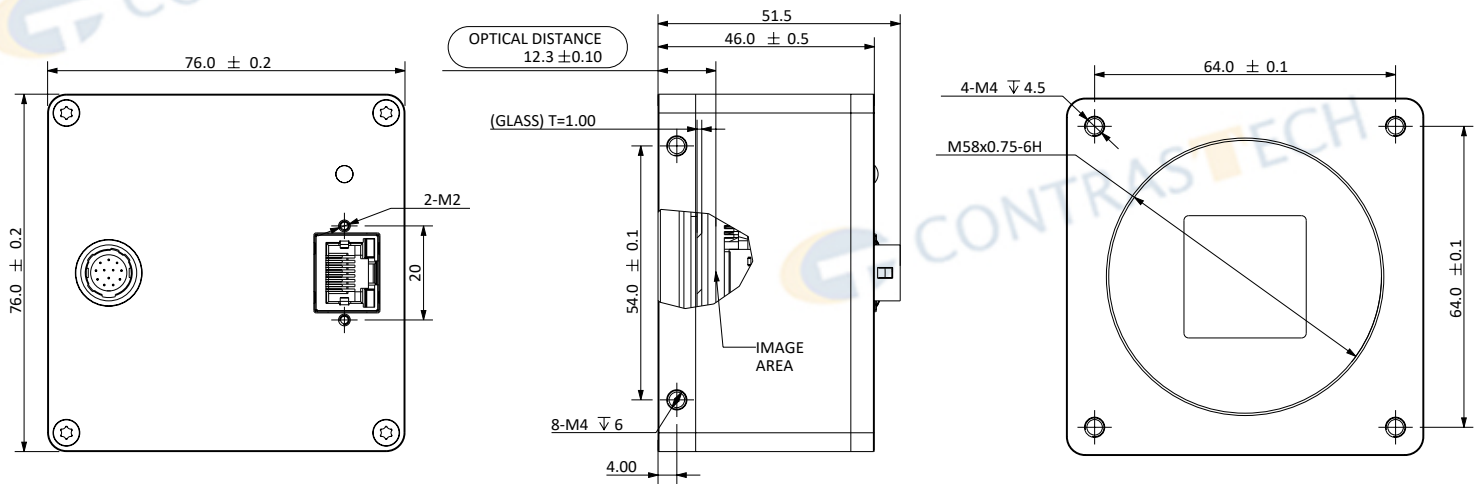
29x44x58mm



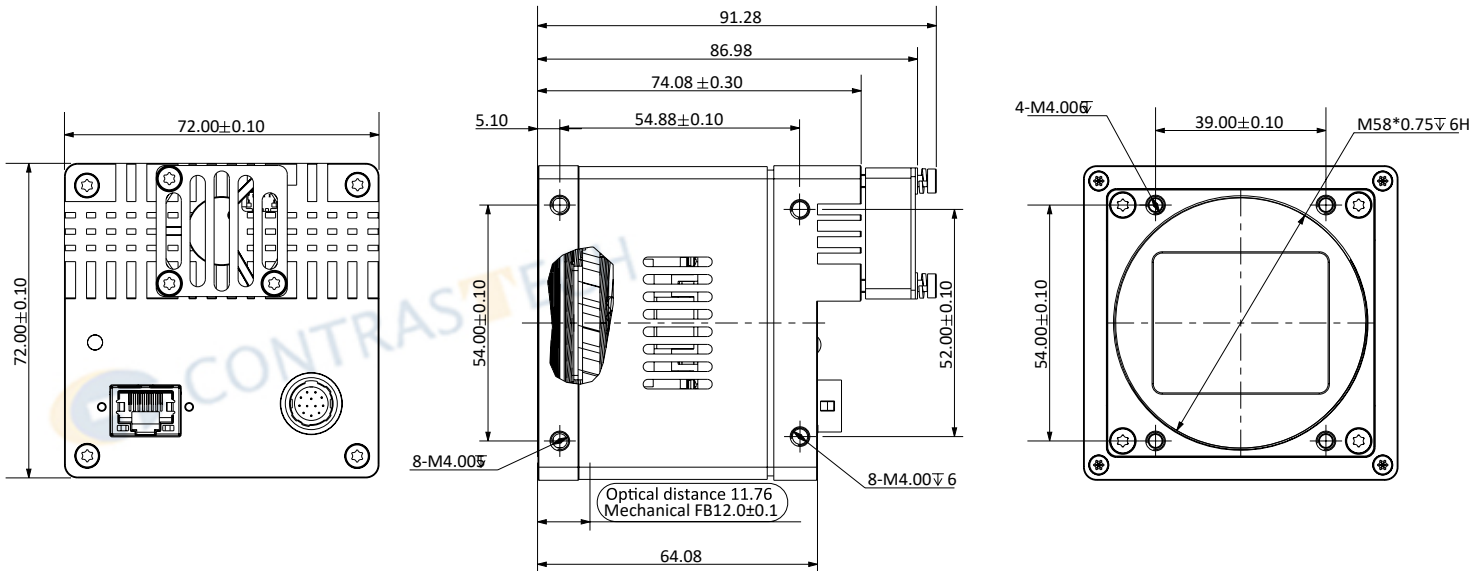
Camera	Mars12MP-9gm/gc	Mars25MP-4gm/gc	Mars31MS-3gm/gc	Mars46MD-2gm/gc	Mars65MG-2gm
Image Format	Monochrome: Mono8/10/10Packed Color: Mono8,BayerRGB/10/10Packed, BayerGB8/10/10Packed,RGB8Packed,YUV422 Packed			Monochrome: Mono8/10/10Packed/12/12Packed Color: Mono8,BayerRGB/10/10Packed, BayerGB8/10/10Packed,YUV422Packed	
Programmable Control (ISP)	Image Resolution, RGB gain, Exposure Time, Contrast, Gamma Chart, Image Rollover, Raw, LUT, Black Level Correction				
Housing Size (L*W*H)	76.0 × 76.0 × 46.0 mm (450g)		72.0 × 72.0 × 74.0 mm	72.0 × 72.0 × 75.0 mm	72.0 × 72.0 × 92.13 mm (482g)
Operating Temperature	-30~80 ° C (Storage), -30~50° C (Working)				
Lens Mount	M58				
Digital I/O	Opto-isolated input x 3, opto-isolated output x 3, and RS232 x 1				
Power Input	DC 12-24V				
Driver	Mars Series Camera Software Suite (iCentral) or 3rd party GigE Vision Software				
Operating System	Windows, Linux				
Conformity	GigE Vision, GenICam				

Dimension (in mm)

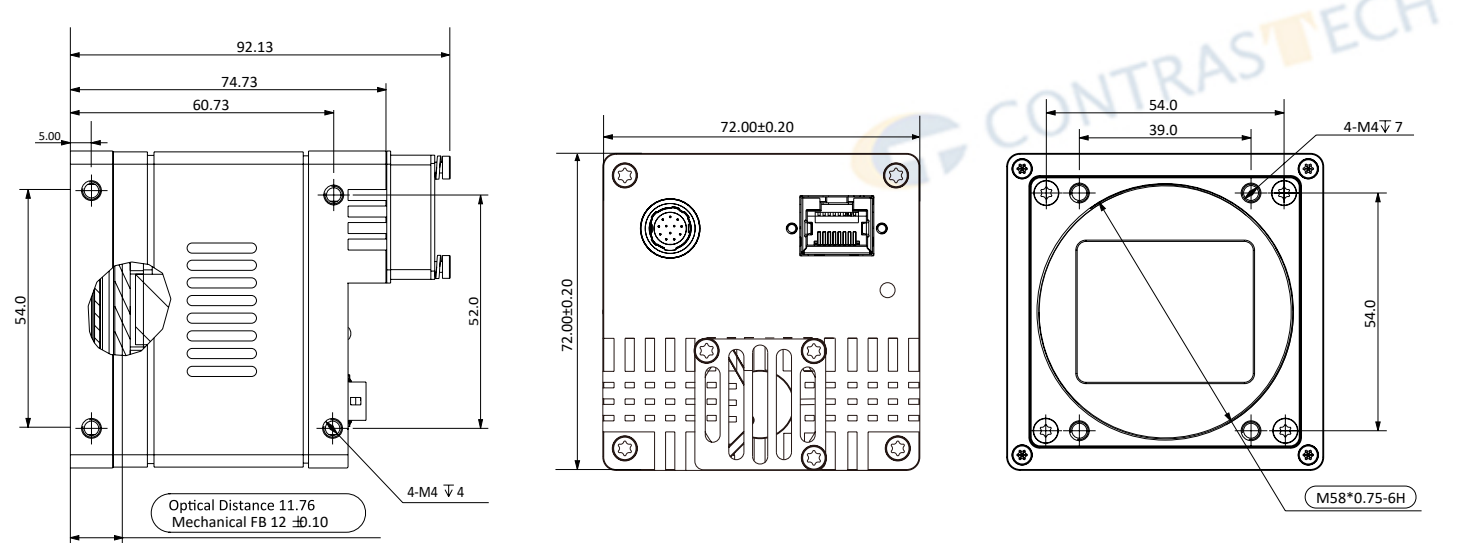
76x76x46mm



72x72x74mm



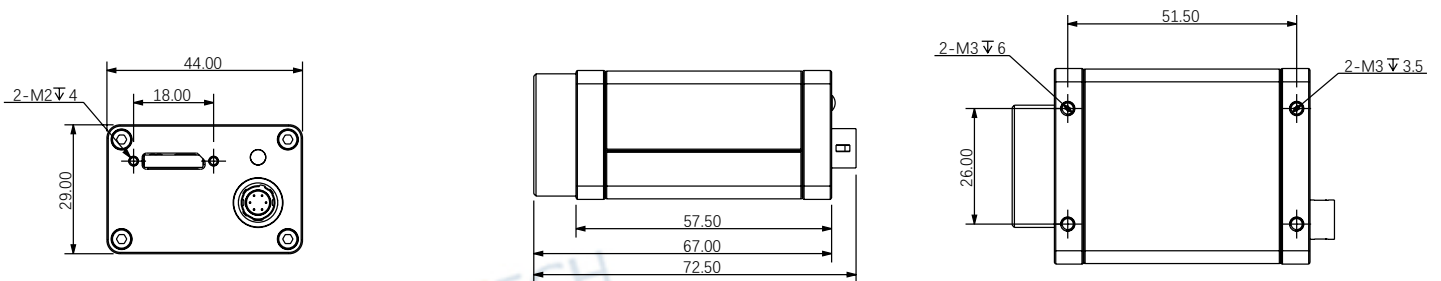
72x72x75mm



Camera	Mars12MS-23um/uc	Mars12MS-30um/uc	Mars25MG-14um/uc
Image Format	Monochrome: Mono8/10/10Packed Color: BayerRG8/10/10Packed,BayerGB8/10/10Packed		
Programmable Control (ISP)	Image Resolution, RGB gain, Exposure Time, Contrast, Gamma Chart, Image Rollover, Raw, LUT, Black Level Correction		
Housing Size (L*W*H)	29.0 × 44.0 × 58.0 mm (100g)		
Operating Temperature	-30~80 ° C (Storage), -30~50° C (Working)		
Lens Mount	C-Mount		
Digital I/O	Opto-isolated input x 1, opto-isolated output x 1, and bi-directional custom non-isolated I/O x 1		
Power Input	DC6~24V, Supporting USB		
Driver	Mars Series Camera Software Suite or 3rd party USB3 Vision Software		
Operating System	Windows, Linux		
Conformity	USB3 Vision,GenICam		

Dimension (in mm)

29x44x58mm

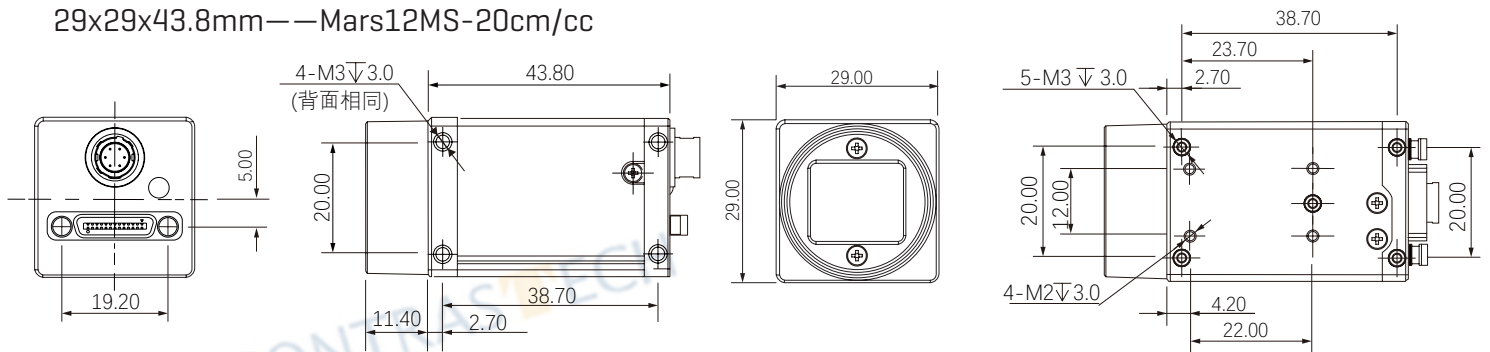


MARS SERIES CAMERAS

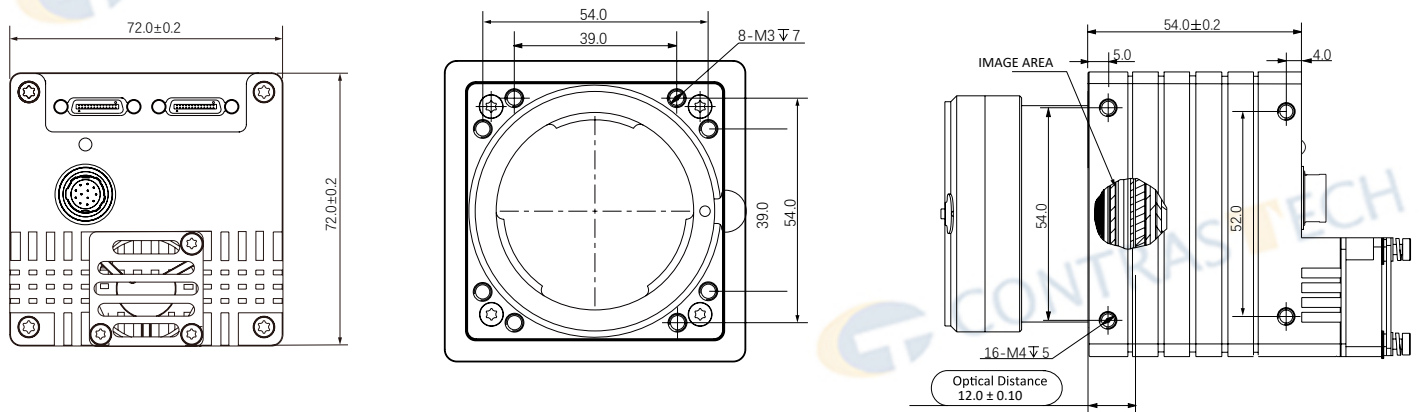
Camera	Mars12MS-20cm/cc	Mars29MK-4cm-F Mars29MK1-4cm-F	Mars29MK-4cm-M58 Mars29MK1-4cm-M58
Image Format	Monochrome: Mono8/10 Color: BayerRG8/10	Mono8/10/10Packed;	
Programmable Control (ISP)	Image Resolution, RGB gain, Exposure Time, Contrast, Gamma Chart, Image Rollover, Raw, LUT, Black Level Correction		
Housing Size (L*W*H)	29.0 × 29.0 × 43.8 mm (80g)	72.0 × 72.0 × 54.0 mm (390g)	
Operating Temperature	-30~80 ° C (Storage), -30~50° C (Working)		
Lens Mount	C-Mount	F-Mount	M58
Digital I/O	Opto-isolated input x 1, opto-isolated output x 1, and bi-directional custom non-isolated I/O x 1	CameraLink, used for camera control and data transmission;	
Power Input	DC 6-24V	DC 24V	
Driver	Mars Series Camera Software Suite (iCentral) or 3rd Party Cameralink Protocol Software		
Operating System	Windows		
Conformity	Cameralink, GenICam		

Dimension (in mm)

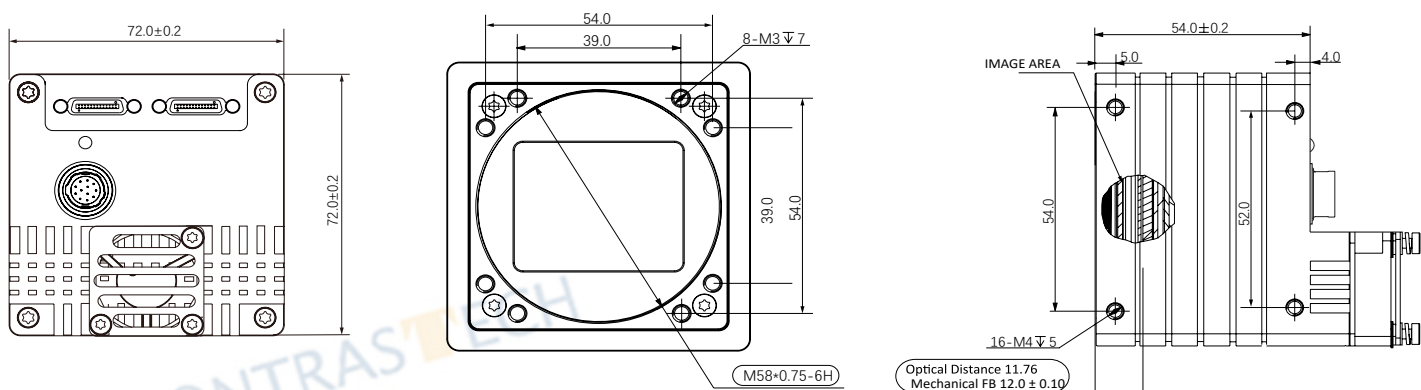
29x29x43.8mm— Mars12MS-20cm/cc



72x72x54mm— Mars29MK-4cm-F/Mars29MK1-4cm-F



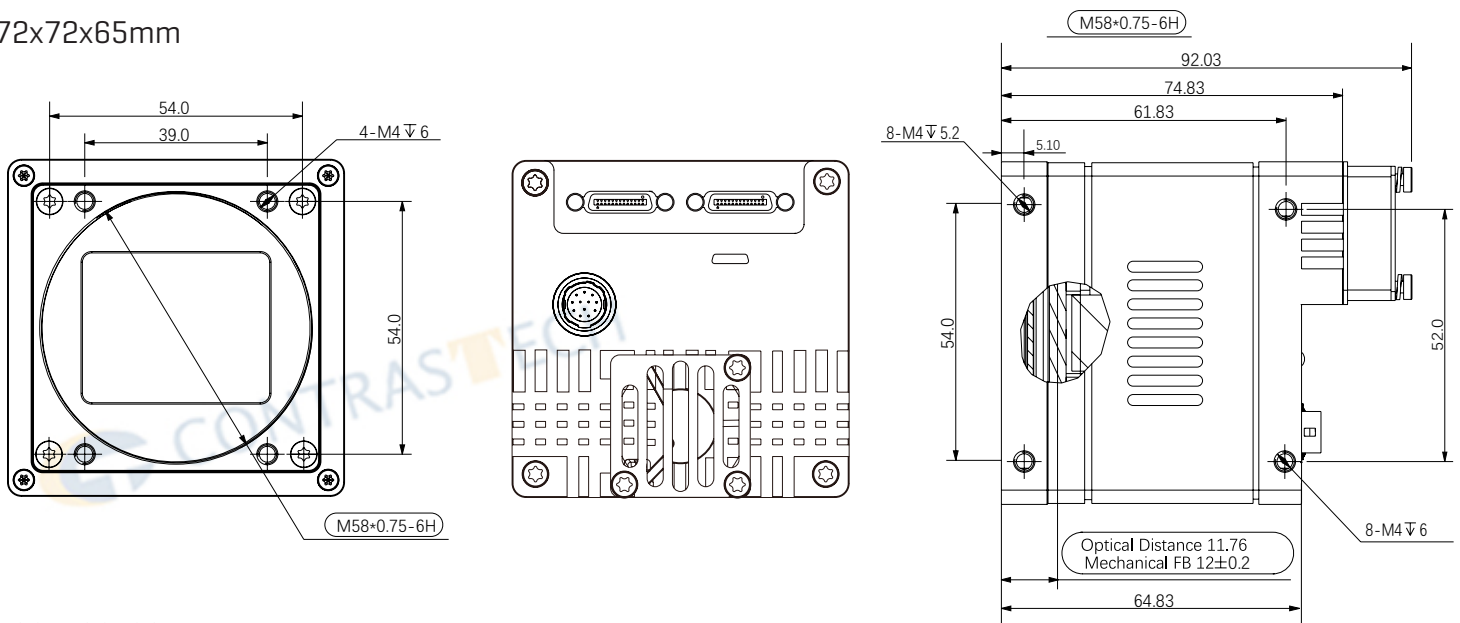
72x72x54mm— Mars29MK-4cm-M58/Mars29MK1-4cm-M58



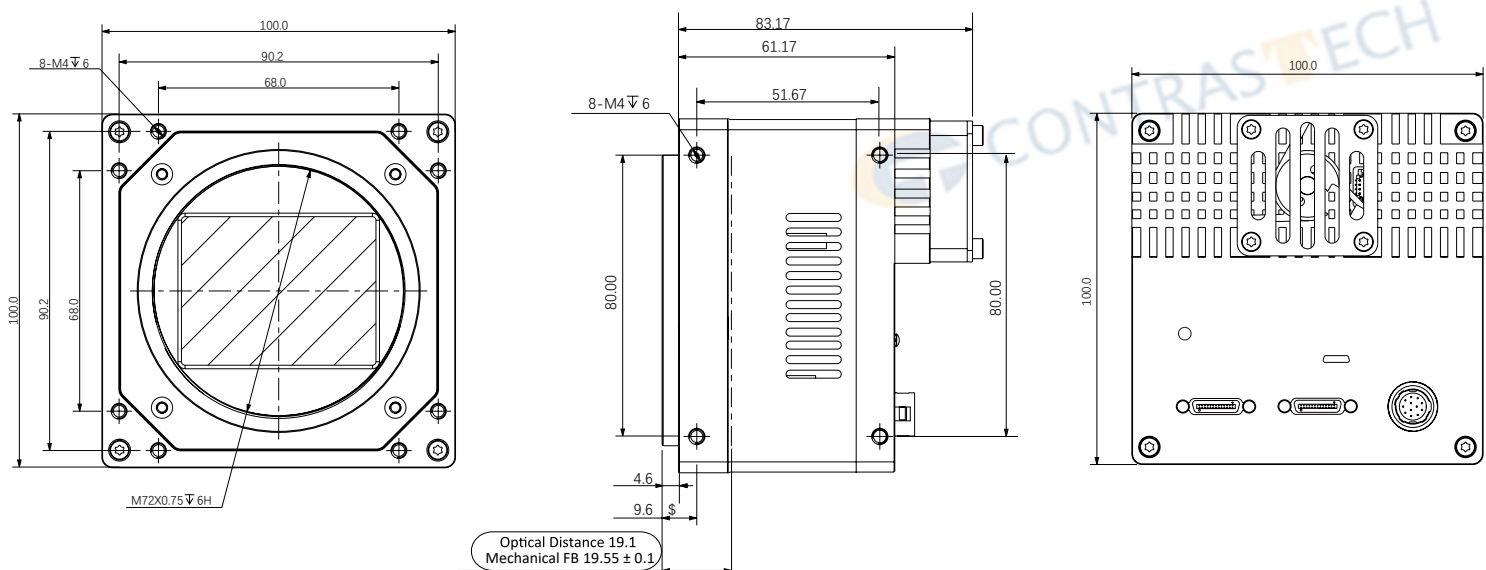
Camera	Mars31MS-25cm/cc	Mars46MD-18cm/cc	Mars65MG-13cm/cc	Mars150MS-5cm
Image Format	Monochrome: Mono8/10/12 Color: BayerRG8/10/12, BayerGB8/10/12	Monochrome: Mono8 Color: BayerRG8		Mono8/10/12
Programmable Control (ISP)	Image Resolution, RGB gain, Exposure Time, Contrast, Gamma Chart, Image Rollover, Raw, LUT, Black Level Correction			
Housing Size (L*W*H)	72.0 × 72.0 × 65.0 mm (490g)			100.0 × 100.0 × 66.0 mm (890g)
Operating Temperature	-30~80 ° C (Storage), -30~50° C (Working)			
Lens Mount	M58			M72
Digital I/O	CameraLink, used for camera control and data transmission;			
Power Input	DC 24V			
Driver	Mars Series Camera Software Suite (iCentral) or 3rd Party Cameralink Protocol Software			
Operating System	Windows			
Conformity	Cameralink, GenICam			

Dimension (in mm)

72x72x65mm



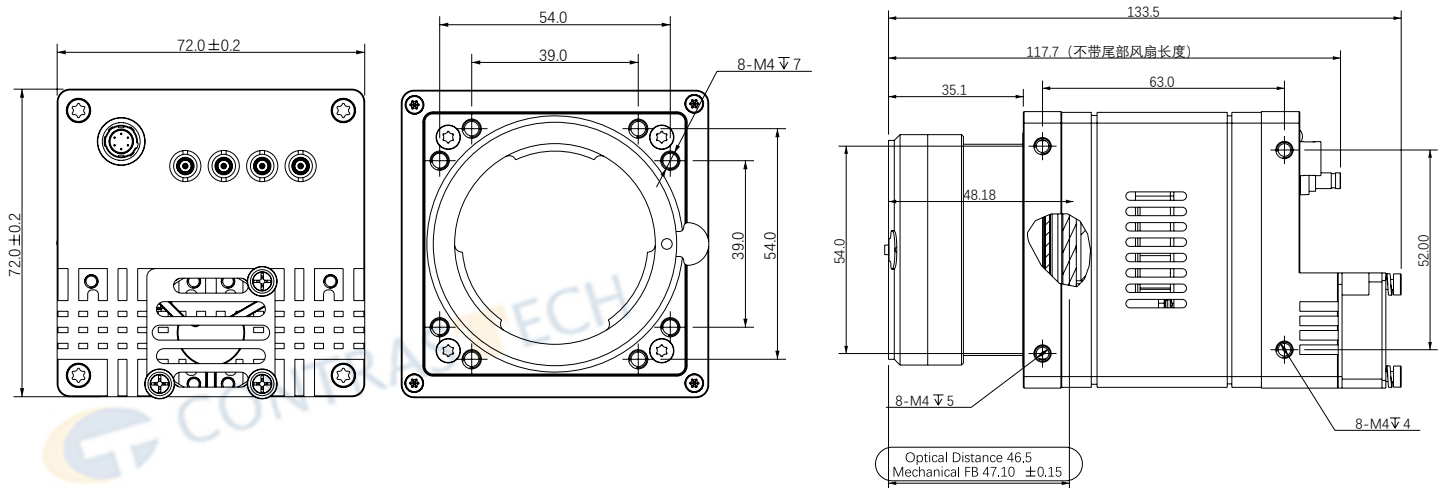
100x100x66mm



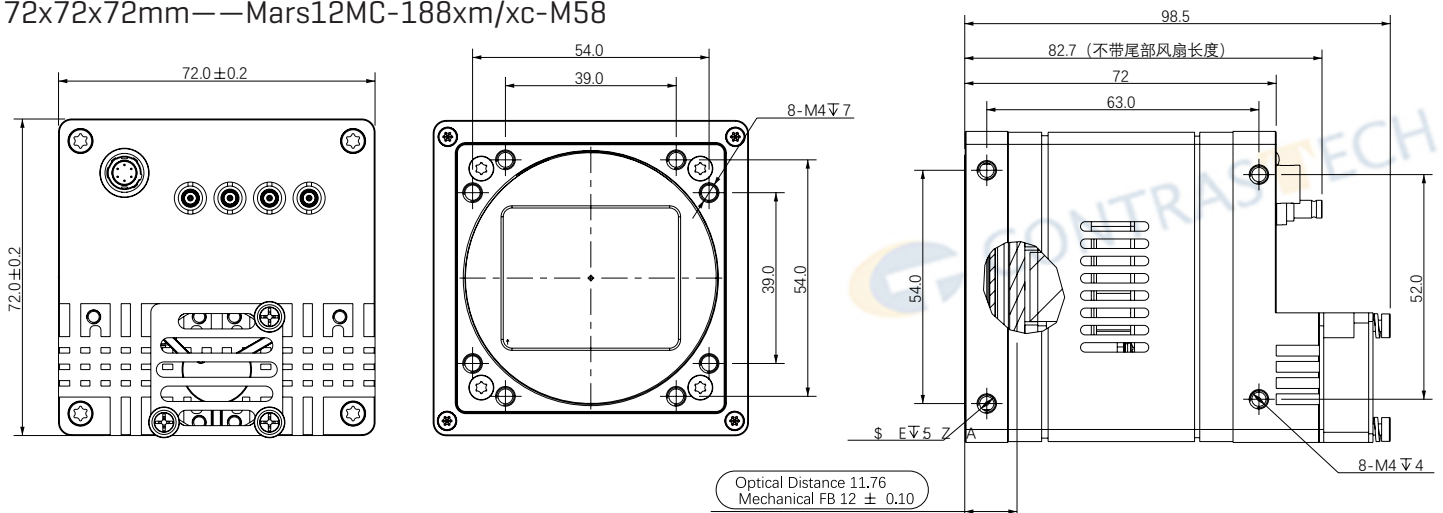
Camera	Mars12MC-188xm/xc-F	Mars12MC-188xm/xc-M58	Mars12MC-188xm/xc-M42
Image Format	Monochrome: Mono8/10/12 Color: BayerGR8/10/12, BayerRG8/10/12, BayerGB8/10/12, BayerBG8/10/12		
Programmable Control (ISP)	Image Resolution, RGB gain, Exposure Time, Contrast, Gamma Chart, Image Rollover, Raw, LUT, Black Level Correction		
Housing Size (L*W*H)	72.0 × 72.0 × 72.0 mm (720g)		80.0 × 80.0 × 47.0 mm (720g)
Operating Temperature	-30~80 ° C (Storage), -30~50° C (Working)		
Lens Mount	F-Mount	M58	M42
Digital I/O	6-pin Hirose interface:Configurable input and output x 3;		
Power Input	DC 24V		
Driver	Frame Grabber control software compliant with CoaXPress protocol		
Operating System	Windows		
Conformity	CoaXPress, GenICam		

Dimension (in mm)

72x72x72mm—Mars12MC-188xm/xc-F

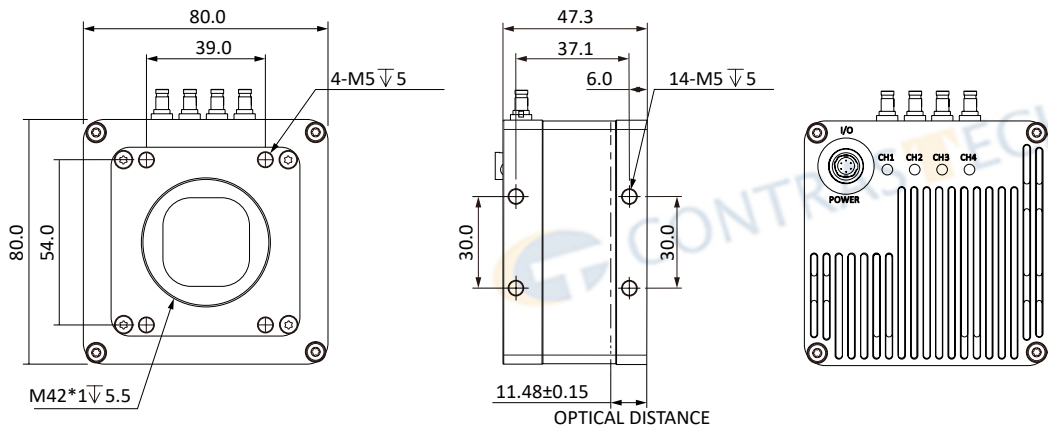


72x72x72mm—Mars12MC-188xm/xc-M58



Dimension (in mm)

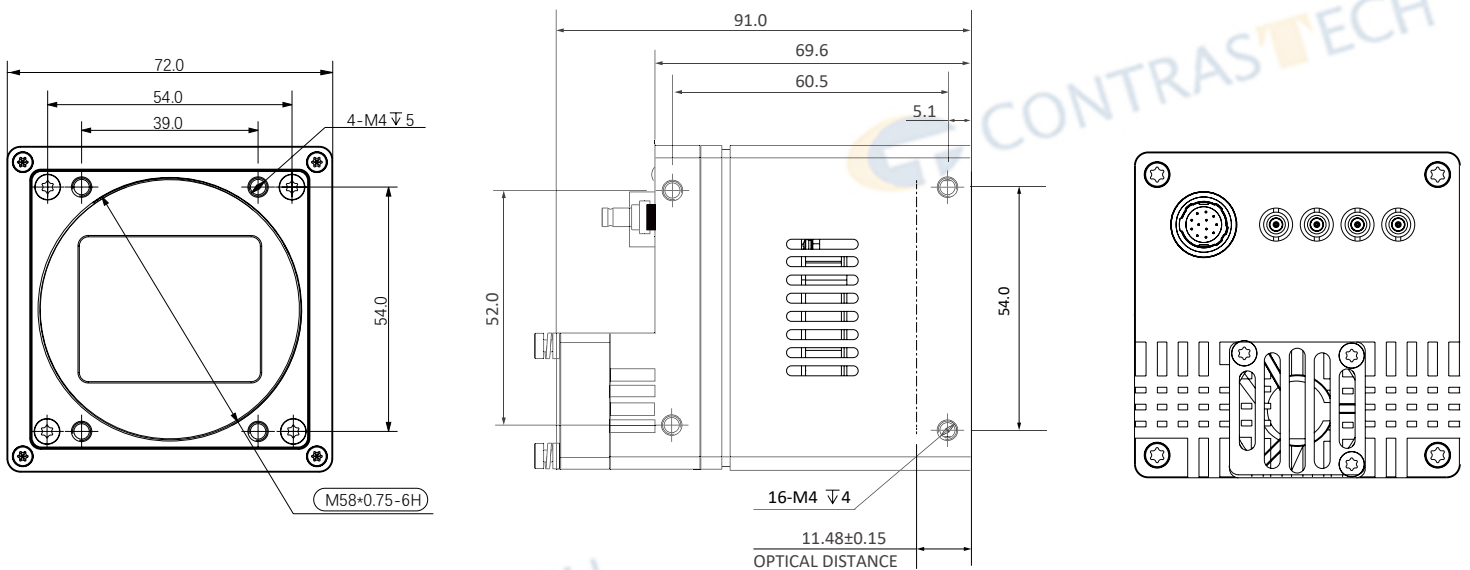
72x72x72mm—Mars12MC-188xm/xc-F



Camera	Mars25MG-90xm/xc-M58	Mars25MG-150xm/xc-M58	Mars25MG-150xm/xc-M42
Image Format	Monochrome: Mono8/10/12 Color: BayerGR8/10/12,BayerRG8/10/12,BayerGB8/10/12,BayerBG8/10/12		
Programmable Control (ISP)	Image Resolution, RGB gain, Exposure Time, Contrast, Gamma Chart, Image Rollover, Raw, LUT, Black Level Correction		
Housing Size (L*W*H)	72.0 × 72.0 × 68.0 mm (720g)	80.0 × 80.0 × 72.0 mm (890g)	80.0 × 80.0 × 65.3 mm (890g)
Operating Temperature	-30~80 ° C (Storage), -30~50° C (Working)		
Lens Mount	M58		M42
Digital I/O	Opto-isolated input x 3, opto-isolated output x 3, and RS232 x 1		
Power Input	DC 24V		
Driver	Frame Grabber control software compliant with CoaXPress protocol		
Operating System	Windows		
Conformity	CoaXPress, GenICam		

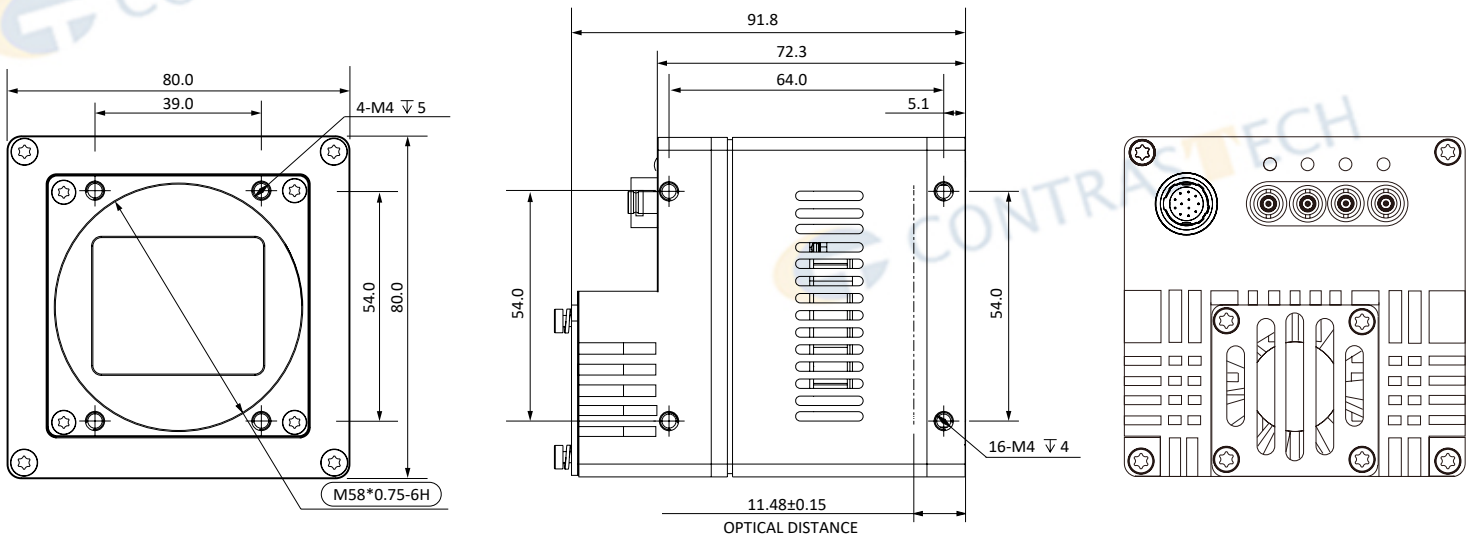
Dimension (in mm)

72x72x68mm

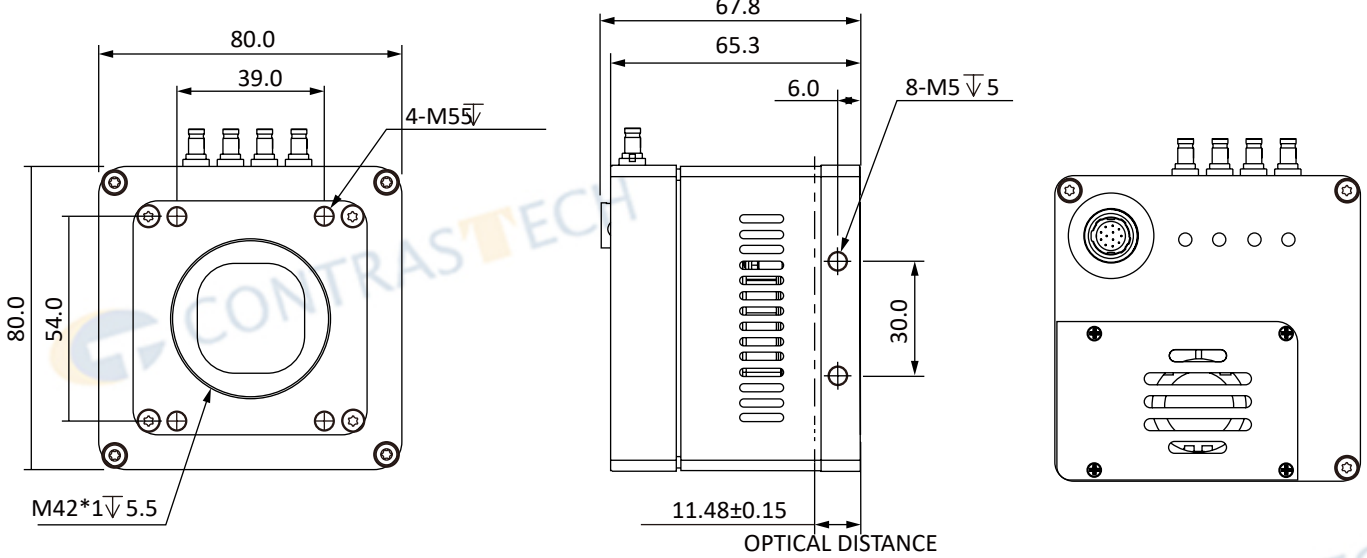


Dimension (in mm)

80x80x72mm



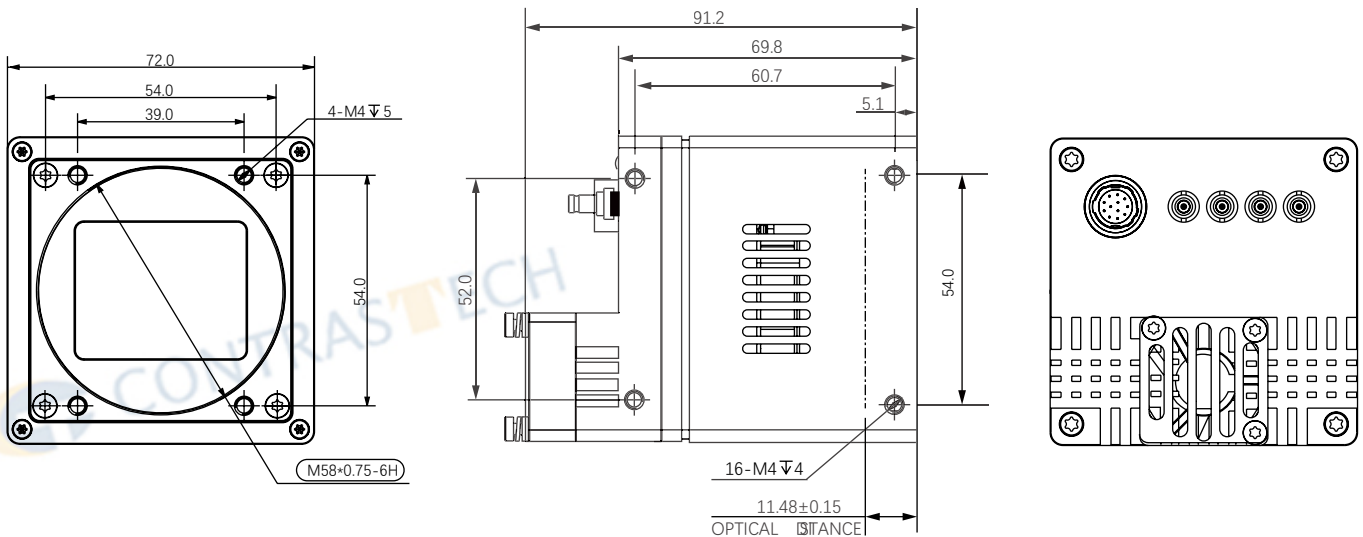
80x80x65.3mm



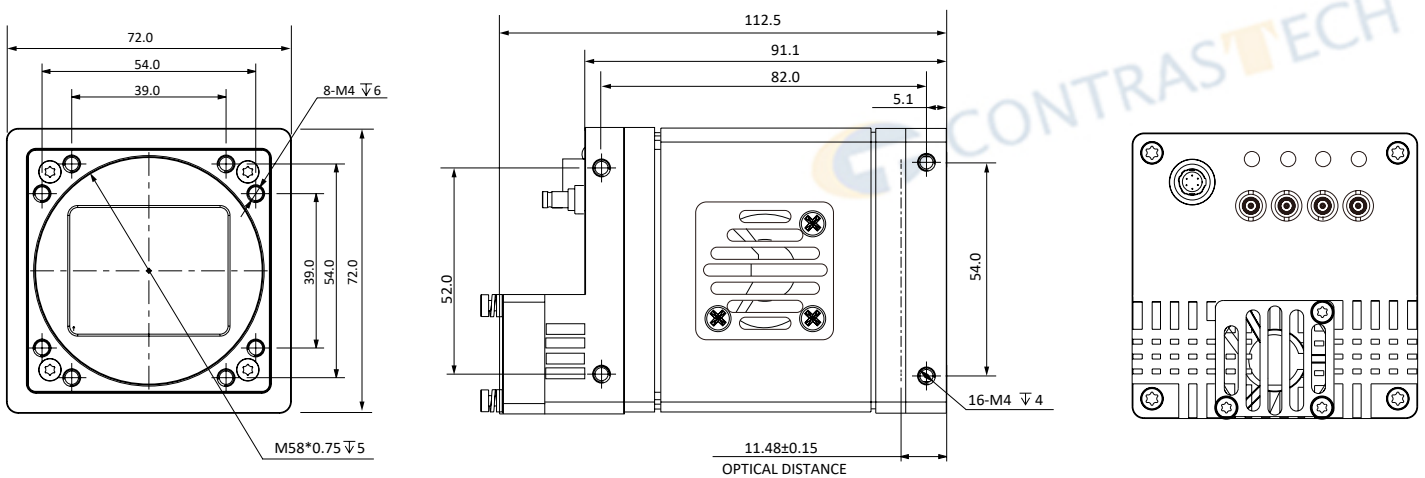
Camera	Mars46MD-44xm-M58	Mars65MG-31xm-M58	Mars50MC-30xm/xc-M58	Mars50MC-30xm/xc-F
Image Format	Monochrome: Mono8/10/12 Color: BayerBG8/10/12			
Programmable Control (ISP)	Image Resolution, RGB gain, Exposure Time, Contrast, Gamma Chart, Image Rollover, Raw, LUT, Black Level Correction			
Housing Size (L*W*H)	72.0 × 72.0 × 70.0 mm (690g)		72.0 × 72.0 × 112.5 mm (720g)	
Operating Temperature	-30~80 ° C (Storage), -30~50° C (Working)			
Lens Mount	M58		F-Mount	
Digital I/O	Opto-isolated input x 3, opto-isolated output x 3, and RS232 x 1		6-pin Hirose interface: Configurable input and output x 3;	
Power Input	DC 24V			
Driver	Frame Grabber control software compliant with CoaXPress protocol			
Operating System	Windows			
Conformity	CoaXPress, GenICam			

Dimension (in mm)

72x72x70mm

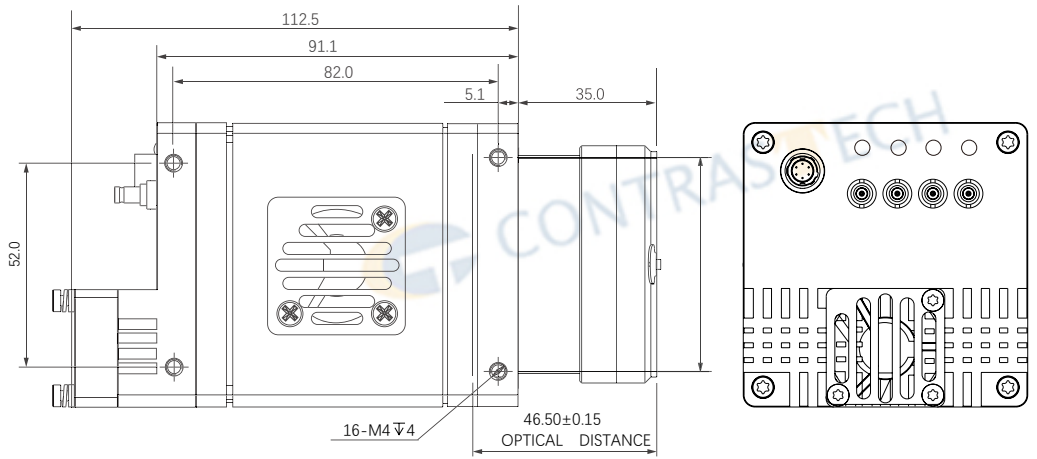
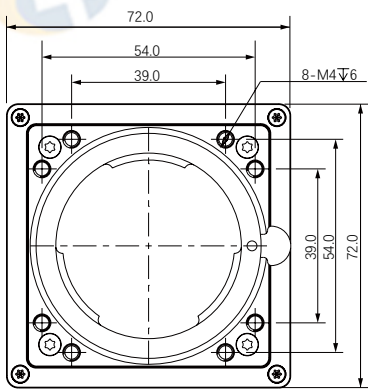


72x72x112.5mm—M58



Dimension (in mm)

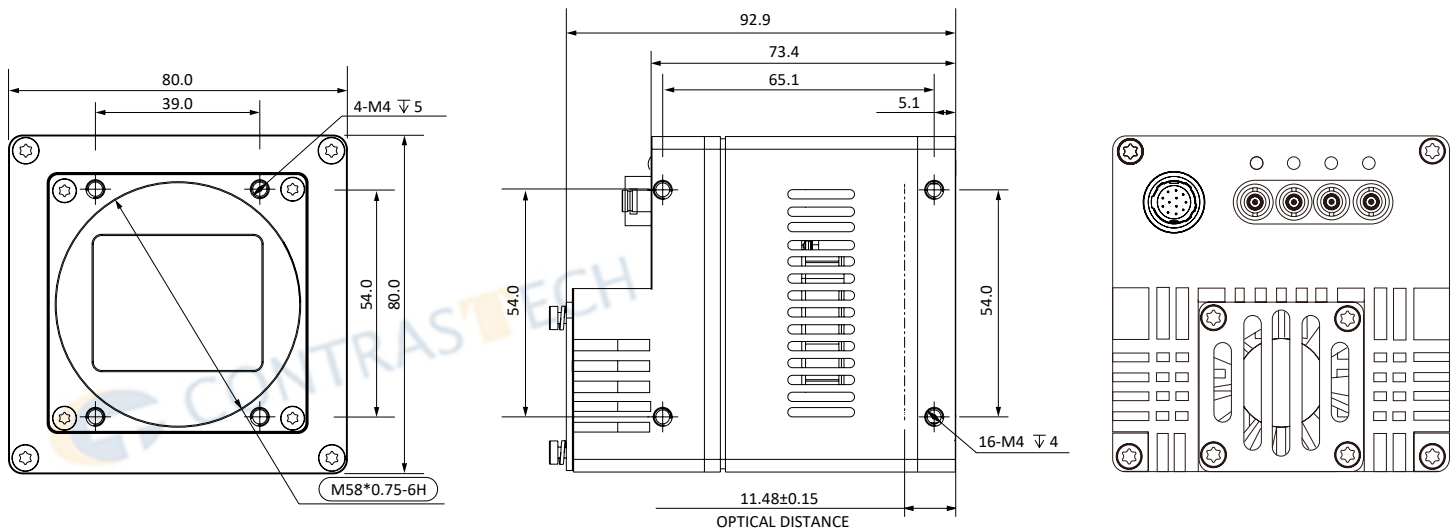
72x72x112.5mm—F-Mount



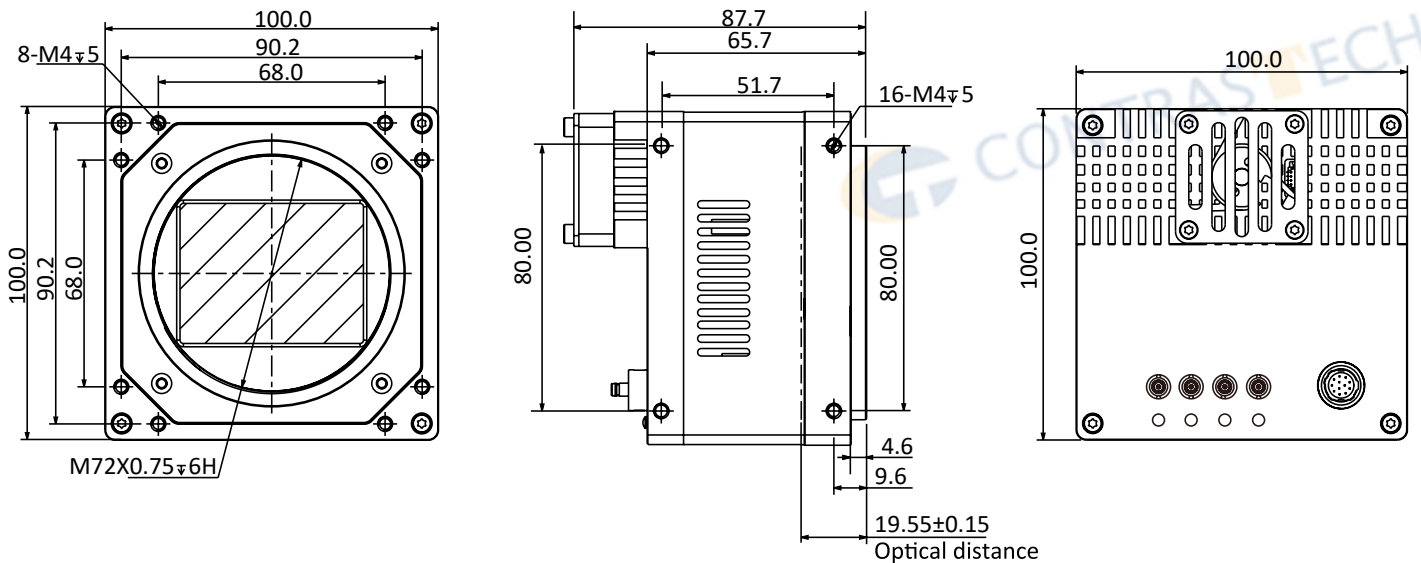
Camera	Mars65MG-71xm-M58	Mars151MS-6xm-M72
Image Format	Mono8/10/12	
Programmable Control (ISP)	Image Resolution, RGB gain, Exposure Time, Contrast, Gamma Chart, Image Rollover, Raw, LUT, Black Level Correction	
Housing Size (L*W*H)	80.0 × 80.0 × 73.4 mm (790g)	100.0 × 100.0 × 83.0 mm (850g)
Operating Temperature	-30~80 ° C (Storage), -30~50° C (Working)	
Lens Mount	M58	M72
Digital I/O	Opto-isolated input x 3, opto-isolated output x 3, and RS232 x 1	
Power Input	DC 24V	
Driver	Frame Grabber control software compliant with CoaXPress protocol	
Operating System	Windows	
Conformity	CoaXPress, GenICam	

Dimension (in mm)

80x80x73.4mm



100x100x83mm



All product specifications are certified accurate at time of printing.
 Latest specifications and availability can be found on our website www.contrastech.com.

Cables (GigE)

ContrasTech's high-quality GigE-compliant cables offer a robust interface for reliable high-speed data transmission. Camera-end locking screws ensure a secure interface despite the shocks and vibrations common to industrial environments. Available in 3, 5 and 10 meter lengths, these cables are a cost-effective solution for your machine vision application.

- GigE standard compliant
- Simple integration into image processing applications
- Camera-end locking screws
- 3, 5 and 10 m lengths available
- Low-cost GigE cable

Product Code	Connects...	To...	Length
VT-NET-3LK(CAB)	RJ45(with locking stud)	RJ45	3M
VT-NET-5LK(CAB)	RJ45(with locking stud)	RJ45	5M
VT-NET-10LK(CAB)	RJ45(with locking stud)	RJ45	10M
VT-Hirose6-7-0.5M	HRS 6pin	Open	0.5M



Cables (USB 3.0)

Ideal for standard imaging applications, ContrasTech offers a selection of USB 3.0 cables. These robust cables feature camera-end locking screws to ensure application stability in industrial environments where shock and vibration are an issue.

- USB3.0 standard compliant
- Simple integration into all image processing applications
- Camera-end locking screws
- Plug and play functionality
- Low-cost USB cable

Product Code	Connects...	To...	Length
VT-USB3.0-3M(CAB-B)	USB 3.0 (Type-A)	USB 3.0 (Micro-B) Locking screws	3m



All product specifications are certified accurate at time of printing. Latest specifications and availability can be found on our website www.contrastech.com.

Cables (CoaXPress/Cameralink)

The length of ContrasTech's CoaXPress and Cameralink cables covers 3m to a maximum of 15m, meeting the requirements for use in different scenarios. The data transmission is stable, even at the maximum length, the transmission capacity also maintains high stability.

- CoaXPress / Cameralink standard compliant
- Simple integration into image processing applications
- Divided into Din or BNC interface[For CoaXPress Cables]
- Divided into SDR or MDR interface[For Cameralink Cables]
- 3, 5, 10 and 15 m lengths available[Other lengths specifications please contact sales]
- Support PoCXP / PoCL

Product Code	Connects...	To...	Length	Type
VT-CX-3M	Din	Din	3M	CoaXPress
VT-CX-5M	Din	Din	5M	CoaXPress
VT-CX-10M	Din	Din	10M	CoaXPress
VT-CX-15M	Din	Din	15M	CoaXPress
VT-CL-3M	SDR	SDR/MDR	3M	Cameralink
VT-CL-5M	SDR	SDR/MDR	5M	Cameralink
VT-CL-10M	SDR	SDR/MDR	10M	Cameralink



All product specifications are certified accurate at time of printing.
 Latest specifications and availability can be found on our website www.contrastech.com.

Vision And More Available

让工业更智能，让视觉更简单！



SWIR Camera
Industrial Camera



Macro Lens
Industrial Lens



Microscope



System Solution
No-programming Software



CONTRASTECH

Hangzhou ContrasteCh Co., Ltd.

Tel: 86-571-89712238

www.contrastech.com

